



- YEDEK PARÇA KATALOĐU
- CATALOGO RICAMBI SPARE
- SPARE PART CATALOGUE
- RECHANGE PIEZAS DE
- REPUESTO ERSATZTEIL KATALOG

www.imer-It.com.tr



L'esatta fornitura dei pezzi di ricambio é garantita solo se l'ordinazione verrà effettuata rispettando le seguenti indicazioni.

Per ogni pezzo di ricambio richiesto, sull'ordine devono comparire:

- 1 - il numero di codice del pezzo
- 2 - la descrizione corrispondente
- 3 - la quantità desiderata

LA COMPILAZIONE DELL'ORDINE DEVE ESSERE COMPLETATA CON L'INDICAZIONE DEL NUMERO DI SERIE DELLA BETONIERA.

The exact supply of spare parts is guaranteed only if they are ordered according to the following indications. For every requested part, the data to be indicated are:

- 1 - the code number of the part
- 2 - the relevant description
- 3 - the requested quantity

THE ORDER MUST INCLUDE THE SERIAL NUMBER OF THE MIXER.

Um eine genaue Ersatzteillieferung zu erlauben, sollen folgende Anweisungen eingehaltet werden. Für jede Ersatzteilbestellung sind folgende Daten anzuführen:

- 1 - Kodenummer des Ersatzteiles
- 2 - entsprechende Beschreibung
- 3 - gewünschte Menge

DIE BESTELLUNG SOLL UNBEDINGT DIE SERIEN-NUMMER DER FAHRMISCHER.

Pour chacune des pièces de rechange requises, la commande doit reporter:

- 1 - le numéro de code de la pièce
- 2 - sa description
- 3 - la quantité exacte de pièces requises

LA COMMANDE DOIT ETRE COMPLETEE EN INDIQUANT LE NUMERO D'IMMATRICULATION DE LE BETONNIERES PORTEES.

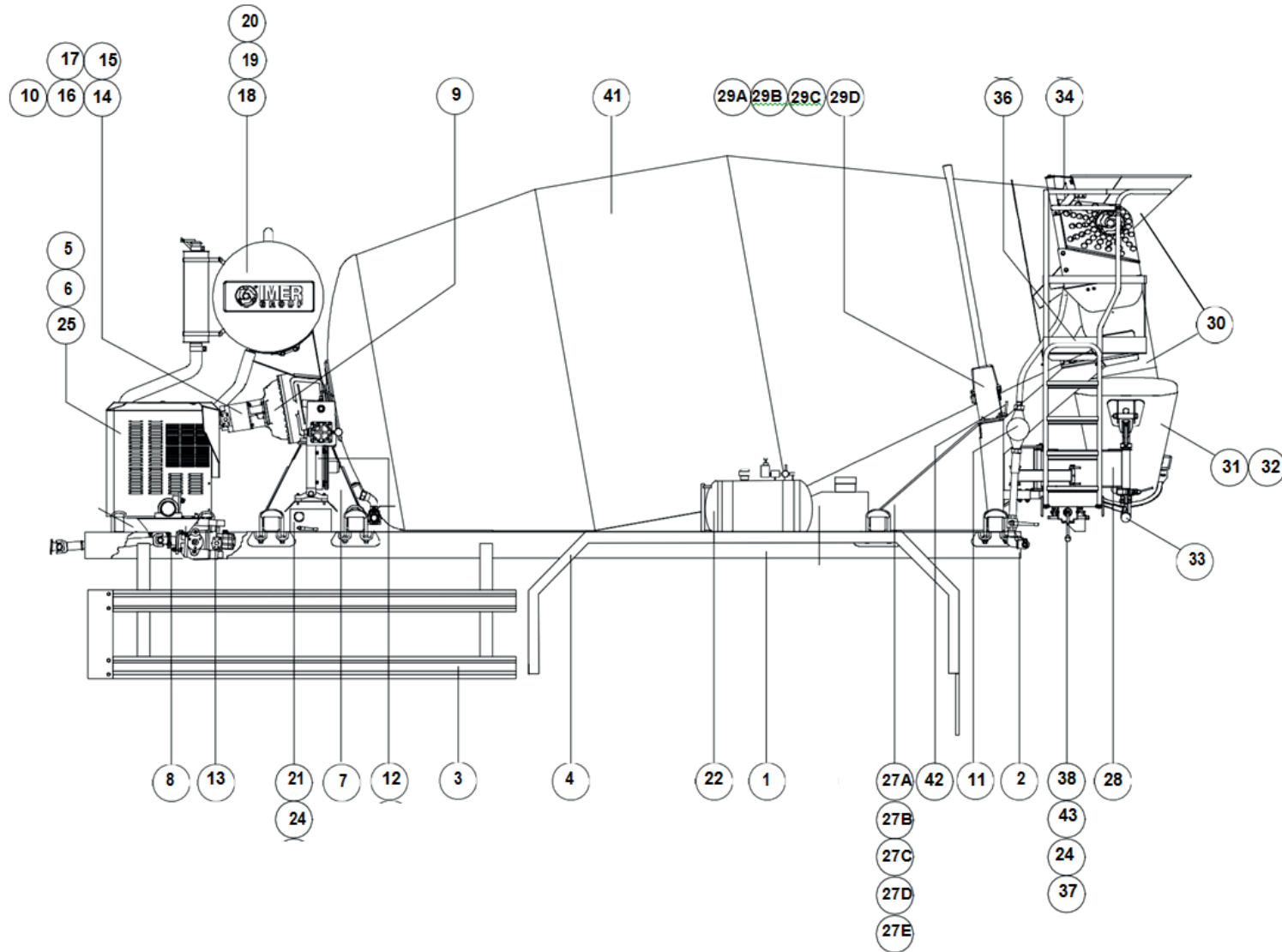
La exacta provisión de las piezas de repuesto se garantiza solamente si el pedido es efectuado respetando las siguientes indicaciones.

Por cada pieza de repuesto pedida, en la orden deben aparecer:

- 1 - el número del código de la pieza
- 2 - la descripción correspondiente
- 3 - la cantidad deseada

LA CONFECCION DEL PEDIDO TIENE QUE SER COMPLETADA ADEMAS CON LA INDICACION DEL NUMERO DE SERIE DE LA HORMIGONERA.

TRUCK MIXERS "H+D"

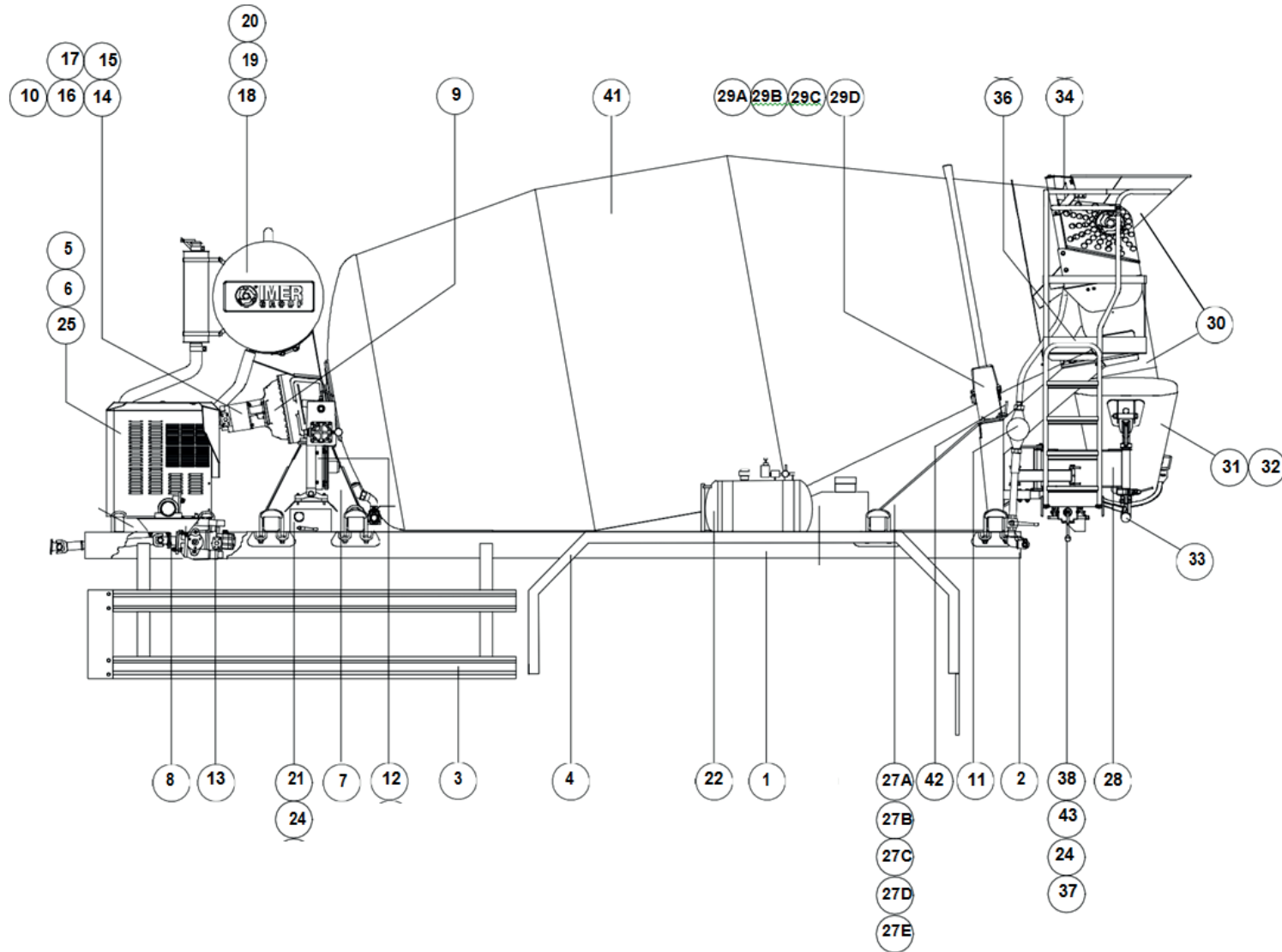


TRUCK MIXERS “H+D”



	TR	IT	GB	FR	DE
#	Açıklama	Descrizione	Description	La Description	Beschreibung
1	ŞASE USTU PLASTİK KORUMA	GOMMA DI PROTEZIONE TELAIO	FRAME RUBBER PROTECTOR	CAOUTCHOUC PROTECT. CHASSIS	LAENGSTRAEGER GUMMISCHUTZ
2	ARKA TAMPON	BARRA PARAINCASTRO	BUMPER BAR	BARRES ANTI-ENCASTREMENT	UNTERFAHRSCHUTZ
3	YAN KORUMA	PARABICICLETTE	BICYCLE BAR	PARE-CYCLISTES	SEITLICHE UNTERFAHRSCHUTZ
4	ÇAMURLUK	PARAFANGO	MUDGUARD	GARDE-BOUE	KOTFLUEGEL
5	İLAVE MOTOR MUHAFAZASI	MEZZO CARTER	HALF GUARD	DEMI CAPOT	HALBE MOTORHAUBE
6	SES YALITIM SİSTEMİ	CARTER INSONORIZZATO	SOUNDPROOF HOOD	CAPOT INSONORISE'	LAERMSCHUTZHAUBE
7	ÖN DESTEK	CASTELLO ANTERIORE	FRONT SUPPORT	CHATEAU AVANT	GETRIEBEBOCK
8	HİDROLİK POMPA DESTEK TAKIMI	SUPPORTO POMPA IDRAULICA	HYDRAULIC PUMP SUPPORT	SUPPORTE POMPE HYDRAULIQUE	HYDRAULIKPUMPEHALTER
9	REDUKTOR / SU POMPASI / MOTOR	RIDUTT./POMPA ACQUA/MOT. IDR.	GEARBOX/WATER PUMP/HYDR.MOT.	REDUCT./POMPE EAU/MOT. HYDR.	GETRIEBE/WASSERPUM./HYD.MOT.
10	HİDROLİK HORTUMLAR	TUBI IMPIANTO IDRAULICO	HYDRAULIC UNIT PIPES	TUYAU CIRCUIT HIDRAULIQUE	HYDRAULIKLEITUNGSROHR
11	SU SAATI SİSTEMİ	CONTALITRI MADDALENA	FLUID METER MADDALENA	COMPTEUR D'EAU MADDALENA	WASSERZAEHLER MADDALENA
12	YAĞ SOĞUTUCU	SCAMBIATORE DI CALORE	HEAT EXCHANGER	REFROIDISSEUR D'HUILE	KUEHLER
13	HİDROLİK POMPA	POMPA IDRAULICA	HYDRAULIC PUMP	POMPE HYDRAULIQUE	HYDRAULIKPUMPE
14	I30 SU POMPASI	POMPA ACQUA I30	WATER PUMP I30	POMPE A'EAU I30	WASSERPUMPE I30
15	I30 SU POMPASI TESİSATI	IMPIANTO ACQUA I30	WATER SYSTEM I30	CIRCUIT D'EAU POMPE A'EAU I30	WASSERSYSTEMLEITUNG I30
16	C30 SU POMPASI	POMPA ACQUA C30	WATER PUMP C30	POMPE A'EAU C30	WASSERPUMPE C30
17	C30 SU POMPASI TESİSATI	IMPIANTO ACQUA C30	WATER SYSTEM C30	CIRCUIT D'EAU POMPE A'EAU C30	WASSERSYSTEMLEITUNG C30
18	SU TANKI	SERBATOIO ACQUA	WATER TANK	RESERVOIR D'EAU	WASSERTANK
19	BASINCLİ SU TANKI	SERBATOIO PRESSURIZZATO	PRESSURIZED WATER TANK	RESERVOIR D'EAU PRESSURISE'	DRUCKWASSERTANK
20	BASINCLİ SU SİSTEMİ	IMPIANTO ACQUA PRESSURIZZATO	PRESSURIZED WATER SYSTEM	CIRCUIT D'EAU PRESSURISE'	DRUCKWASSERSYSTEMLEITUNG
21	PNOMATİK SİSTEM	IMPIANTO PRESSURIZZATO	PRESSURIZED SYSTEM	CIRCUIT PRESSURISE'	DRUCKSYSTEMLEITUNG
22	KATKI TANKI	SERBATOIO ADDITIVO	TANK FOR ADDITIVES	RESERVOIR ADDITIF	ZUSATZMITTELTANK
23	MANOMETRE SİSTEMİ	MANOMETRI ALTA PRESSIONE	HIGH PRESSURE GAUGES	MANOMETRE HAUTE PRESSION	HOCHDRUCKMANOMETER
24	İLAVE MOTOR	MOTORE AUSILIARIO	AUXILIARY ENGINE	MOTEUR AUXILIAIRE	HILFSMOTOR
25A	ARKA DESTEK LT3.7	CASTELLO POSTERIORE - 3	REAR SUPPORT	CHATEAU ARRIERE	HINTERER MISCHERBOCK
25B	ARKA DESTEK LT5.7	CASTELLO POSTERIORE - 5	REAR SUPPORT	CHATEAU ARRIERE	HINTERER MISCHERBOCK
25C	ARKA DESTEK LT6.7-7.7	CASTELLO POSTERIORE - 6-7	REAR SUPPORT	CHATEAU ARRIERE	HINTERER MISCHERBOCK
25D	ARKA DESTEK LT8.7/10.7	CASTELLO POSTERIORE - 8-10	REAR SUPPORT	CHATEAU ARRIERE	HINTERER MISCHERBOCK
25E	ARKA DESTEK LT14.7	CASTELLO POSTERIORE - 14	REAR SUPPORT	CHATEAU ARRIERE	HINTERER MISCHERBOCK

TRUCK MIXERS "H+D"

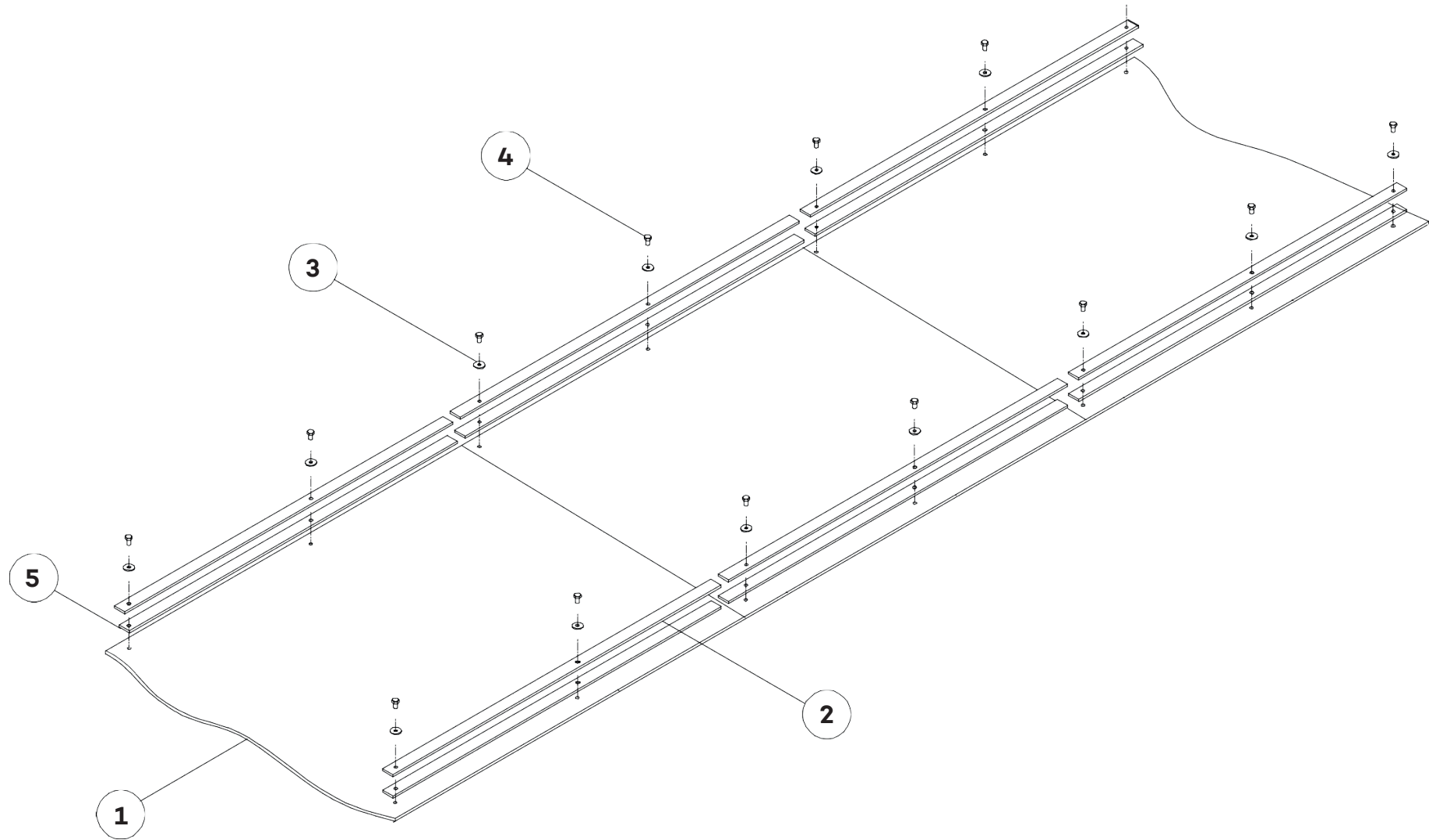


TRUCK MIXERS “H+D”



	TR	IT	GB	FR	DE
#	Açıklama	Descrizione	Description	La Description	Beschreibung
26	DONER OLUK DESTEK	GRUPPO BANDIERA	SUPPORT ARM GROUP	SUPPORT RELEVAGE GOULOTTE	SCHWENKARM
27A	MAKARA LT3.7	RULLO ROTAZIONE TAMBURO -3	DRUM ROTATION ROLLER	GALET DE ROULEM. ROT. CUVE	TROMMELAUFROLLEN
27B	MAKARA LT5.7-7.7	RULLO ROTAZIONE TAMBURO -5-7	DRUM ROTATION ROLLER	GALET DE ROULEM. ROT. CUVE	TROMMELAUFROLLEN
27C	MAKARA LT8.7-12.7	RULLO ROTAZIONE TAMBURO -8-12	DRUM ROTATION ROLLER	GALET DE ROULEM. ROT. CUVE	TROMMELAUFROLLEN
27D	MAKARA LT14.7	RULLO ROTAZIONE TAMBURO -14	DRUM ROTATION ROLLER	GALET DE ROULEM. ROT. CUVE	TROMMELAUFROLLEN
28	V OLUK-DOLDURMA OLUĞU	TRAMOGGE	HOPPERS	TREMIES	TRICHTERN
29	DÖNER OLUK & İLAVE-KATLANIR OLUK	CANALE DI SCARICO	DISCHARGE CHUTE	GOULOTTE PIVOTANTE	AUSLAUFSCHURRE
30	HUNI TIPI UZATMA OLUĞU	CANALA IMBUTO	DISCHARGE FUNNEL CHUTE	ENTONNOIR DE GOULOTTE	TRICHTERSCHURRE
31	HIDROLİK KRIKO & PISTON	MARTINETTI ALZA CANALE	CHUTE LIFTING JACKS	VERIN DE RELEVAGE GOULOTTE	SCHURRENVERSTELLUNG
32	EKOLOJİK YARIM KAPAK	MEZZO TAPPO	HALF GUARD	DEMI BOUCHON A BETON	HALBKLAPPE
33	MERDİVEN	SCALETTA	LADDER	ECELLE DE VISITE	ARBEITSLEITER
34	MEFLEX HALATI	CAVI DI COMANDO	CONTROL CABLES	CABLE DE COMMANDE	STEUERUNGSKABEL
35	GAZ KUMANDA KUTUSU	COMANDO A CAVO SINGOLO	SINGLE LEVER CONTROL	COMMANDE CHAQUE	EINZEL STEUERUNG
36	KAZAN	TAMBURO	DRUM	CUVE	TROMMEL
37	KEYLİFE / GÜVENLİK KİLİDİ	BLOCCAGGIO DI SICUREZZA	SAFETY LOCK	BLOCAGE DE SECURITE'	SICHERHEITSFESTELLEINRICHT.
38	2 VE 4 DÜĞMELİ PANEL	PULSANTIERE	BUTTON PANEL	TABLEAU DE COMMANDE	SCHALTAFEL
39	ŞASE	TELAIO	SUBFRAME	CHASSIS	CHASSIS

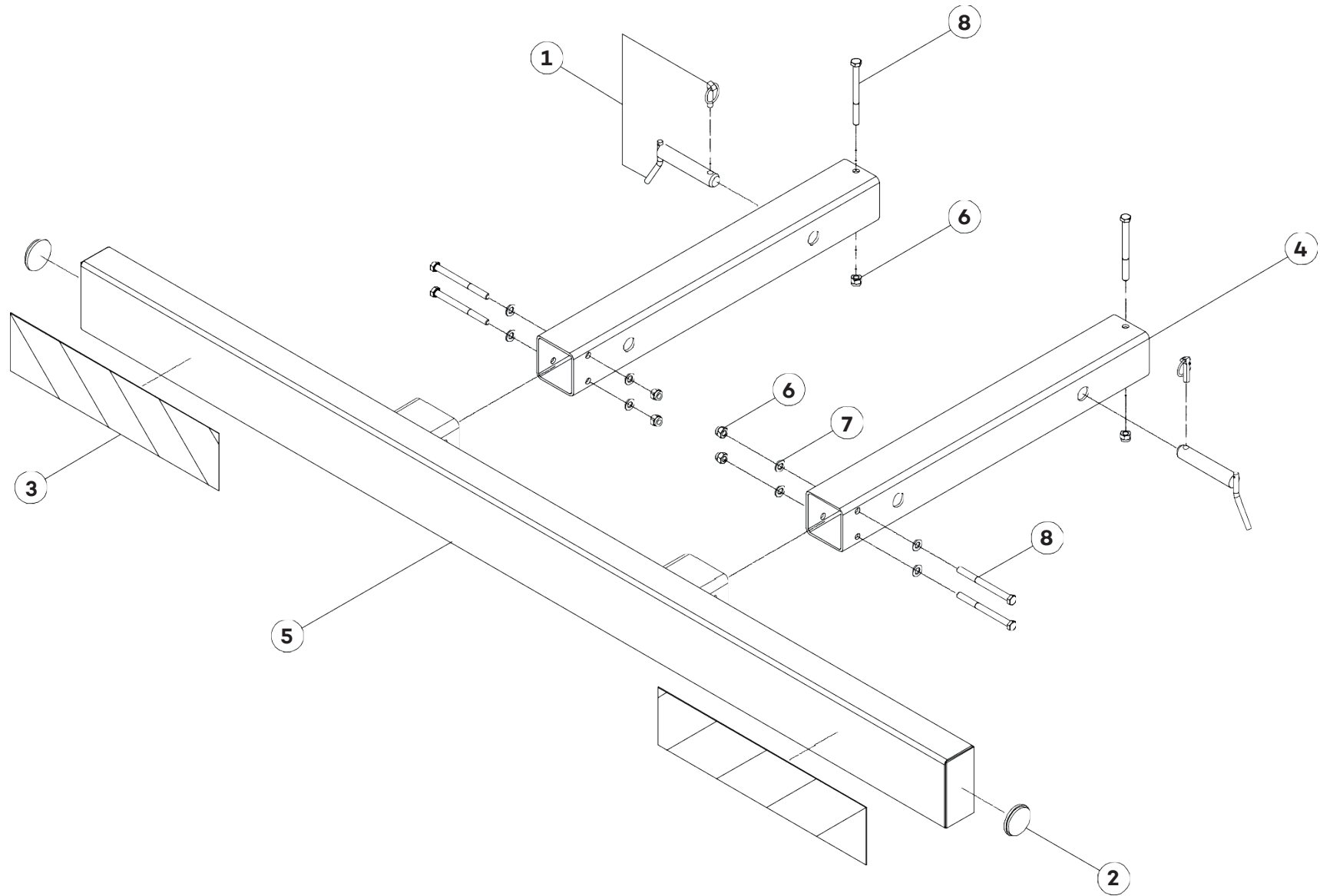
1 - FRAME RUBBER PROTECTOR



1 - FRAME RUBBER PROTECTOR

#	Cod.	TR Açıklama	IT Descrizione	GB Description	FR La Description	DE Beschreibung	Note
1	023200040800	MIKSER SASISI ARASI PLASTIK KORUMA 960X760	COPERTURA SOTTOBOTTE	RUBBER	CAOUTCHOU	GUMMIABDECKUNG	
2	023200040700	ALIMINYUM L PLAKA PLASTIK KORUMA DESTEĞI	SUPPORTO	SUPPORT	SUPPORTE	HALTER	
3	68700960	PUL 8.4 X 24 X 2 YIVLI UNI 6593-69 R40 FEZN8CIA	ROSETTA	WASHER	RONDELLE	DECKEL	M8 UNI 6593 ZN
4	010119080000	SOMUN M8 FLANSLI (DBL) DIN 6923 ZN	DADO FLANGIATO	FLANGED NUT	ECROU FLASQUE'	FLANSCHMUTTER	DIN 6923 M8 ZN
5	011111000000	KAUCUK PROFIL 50X5 PVC	GOMMA	RUBBER HOSE	CAOUTCHOUC	GUMMI	50X5

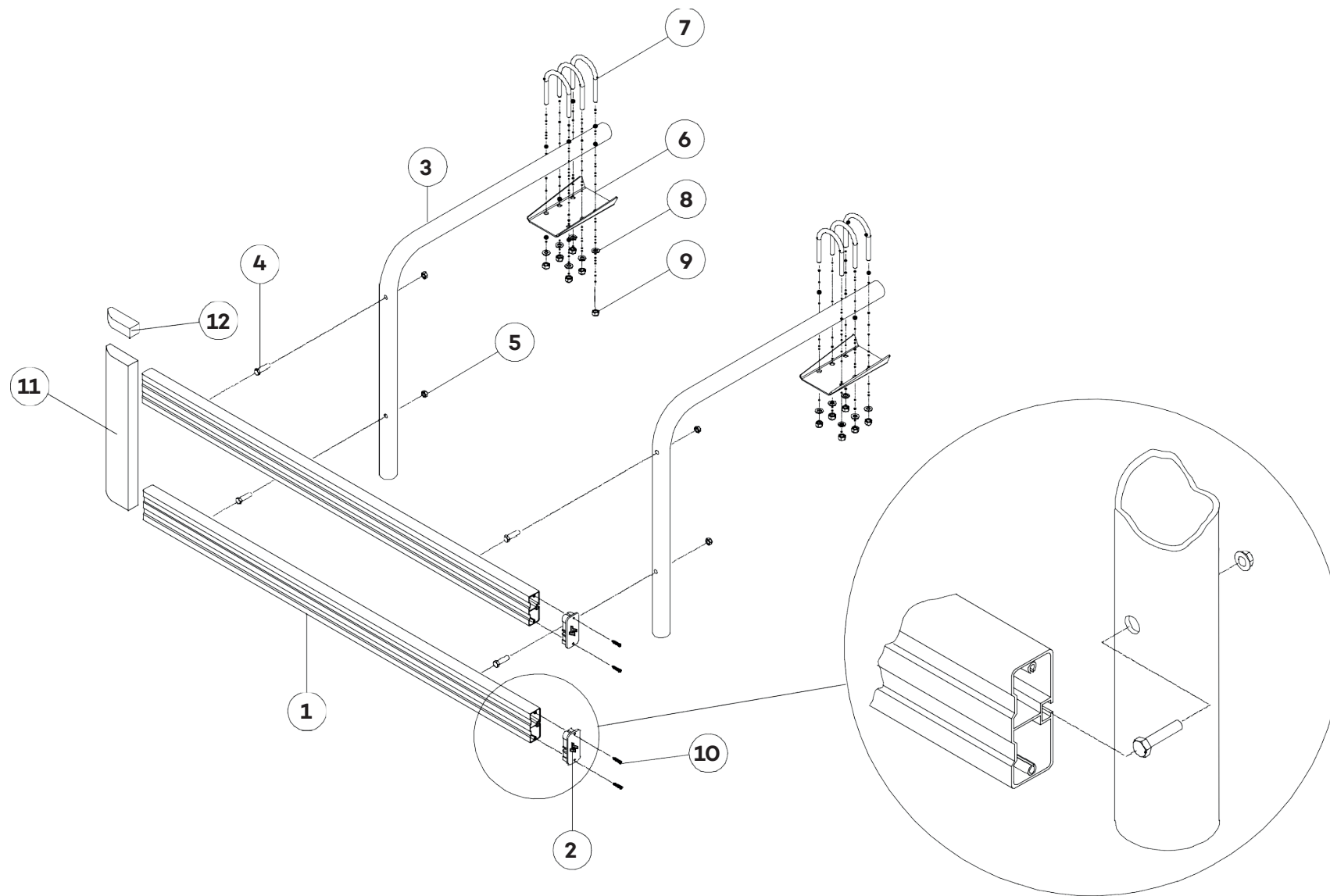
2 - BUMPER BAR



2 - BUMPER BAR

#	Cod.	TR Açıklama	IT Descrizione	GB Description	FR La Description	DE Beschreibung	Note
1	0103100001	TAMPON PINI D=28 L=145 GALVANIZLI	PERNO C/MANIGLIA	PIN WITH HANDLE	AXE AVEC POIGNEE	SCHWENKBOLZEN MIT HANDGRIFF	28X130
2	012002060100	TAMPON YAN KAPAK REFLEKTOR	CATARIFRANGENTE ARANCIONE ADES.	ADHESIVE REFLECTOR	CATAPHOTE ADHESIF	KLEBENDE RUECKSTRAHLER	D.60
3	012002060300	REFLEKTOR (1 CIFT)	COPPIA CATARIFRANGENTE RETTANG.	PVC REFLECTOR	CATAPHOTE EN PVC	PVC RUECKSTRAHLER	565X135
4	0303103052	FORD 4136 - 12,7 TAMPON UZATMA GRUBU L=500 SAG	SFILANTE TRAVERSA	TELESCOPIC LEVER	BRAS COULANT	TELESCOPELEMENT	L=500-600 D.30
	0303103022	MERCEDES 4142 TAMPON UZATMA EURO 6 L=600					
5	0303100011	TAMPON PROFILI L=2390	TRAVERSA	LINK BRACKET	TRAVERSE	ANLENKLASCHE	160X80X4 L=2390
6	010131140000	SOMUN M14 KILITLI 8.8 KALITE DIN 980	DADO	NUT	ÉCROU	MUTTER	M12 UNI 7473 6S
7	68750600	PUL 13 X 24 X 3 DUZ UNI 5714-75 FEZN8CIA	ROSETTA BISELLATA	WASHER	RONDELLE	DECKEL	13X24 UNI 6592-69
8	95203600	CIVATA M12 X 140 8.8 KALITE UNI 5737 TE FP ZN	VITE	SCREW	VIS	SCHRAUBE	M12 X 140 UNI 5737

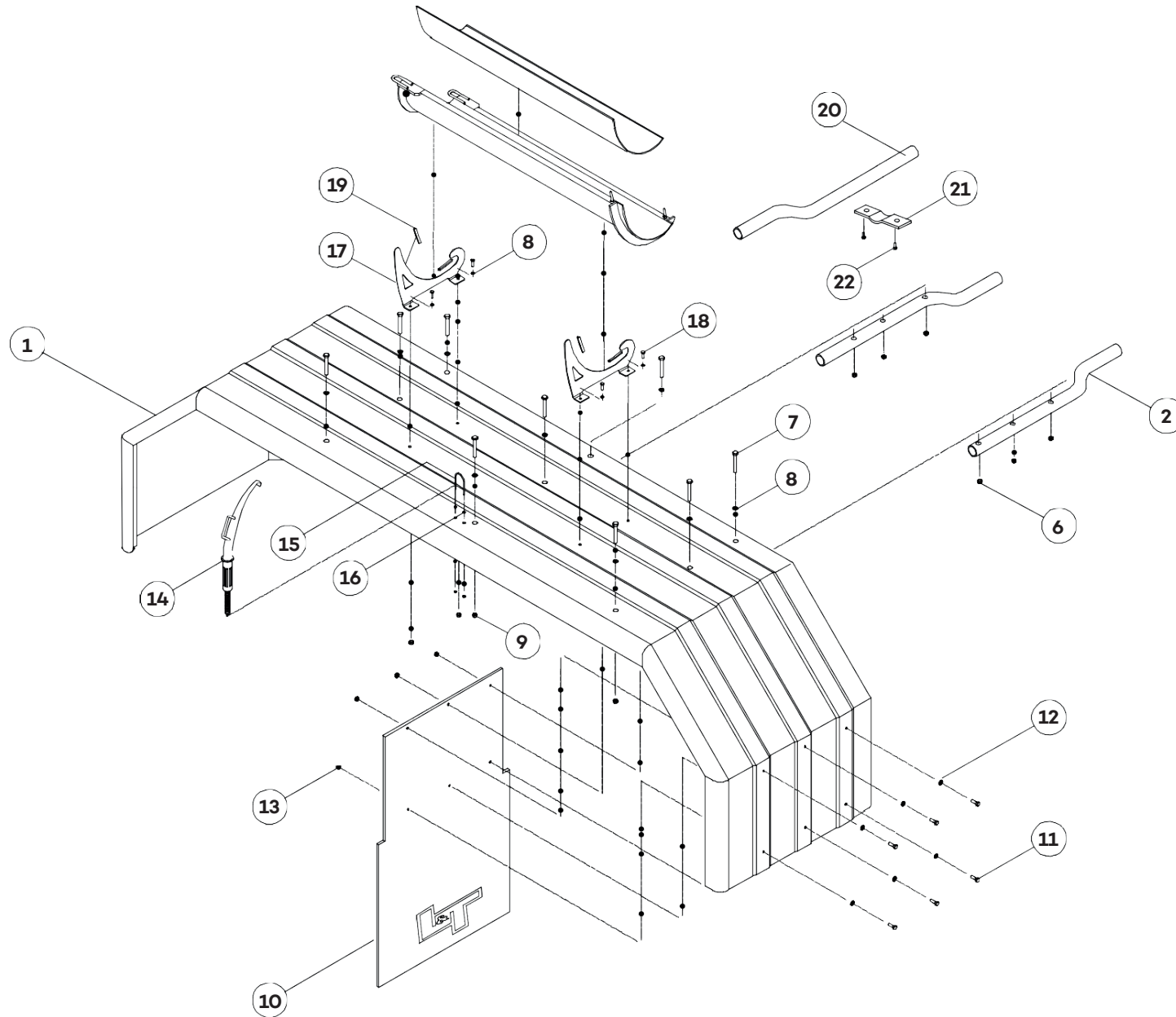
3 - BICYCLE BAR



3 - BICYCLE BAR

#	Cod.	TR Açıklama	IT Descrizione	GB Description	FR La Description	DE Beschreibung	Note
1	001101020100	30 X 100 X 1,8 ALU.PROFIL BISIKLETLİK İÇİN	PROFILO IN ALLUMINIO	ALUMINIUM PROFILE	PROFIL EN ALUMINUM	ALUMINIUMPROFIL	100X30X1,8 L=6000
2	2501-0010	YAN KORUMA TAPASI(KUCUK)	TAPPO IN GOMMA	PLUG	BOUCHON	VERSCHLUSS	
3	020029141000-1	BISIKLETLİK BORUSU TÜRKIYE L=810x760 DELIKLI	TUBO PROTEZ. LAT. PARABICICLETTE	PIPE SUPPORT PLATE	PLAQUE SUPPORTE TUYAU	HALTER	D=48 A 90° 860X750
	020029141000-2	BISIKLETLİK BORUSU L=860x750 DELIKLI	TUBO PROTEZ. LAT. PARABICICLETTE				D=48 A 90° 810X760
4	0401-0078	CIVATA M8 X 65 FLANSLI DIN 6921 ZN	VITE	SCREW	VIS	SCHRAUBE	M8 65 DIN 6921
5	010119080000	SOMUN M8 FLANSLI (DBL) DIN 6923 ZN	DADO FLANGIATO	FLANGED NUT	ECROU FLASQUE'	FLANSCHMUTTER	DIN 6923 M8 ZN
6	020029141010	BISIKLET BORUSU DESTEK PLAKASI	MENSOLA DI SUPPORTO	SUPPORT	SUPPORTE	HALTER	
7	L1000961	U CIVATA M10 (90) 1"1/2 8.8 KALITE D=48 BORU İÇİN	COLLARE DI SOSTEGNO PER TUBO	COLLAR	COLLIER	SHELLE	
8	69300791	PUL 10,5 YARIKLI UNI 1751 C72 FEZN8CIA	ROSETTA BISELLATA	WASHER	RONDELLE	DECKEL	D.105 UNI 1751
9	0502-0003	SOMUN M10 KILITLI 8.8 KALITE	DADO FLANGIATO	FLANGED NUT	ECROU FLASQUE'	FLANSCHMUTTER	DIN 6923 M 10 ZN
10	0401-0076	VIDA M4 X 20 YSB DIN 84	VITE	SCREW	VIS	SCHRAUBE	M4X20 DIN84
11	011129010001-1	BISIKLETLİK PROFILI KOSEBENT L=450	CANTONALE	CORNER	ANGULAIRE	WINKLIG	
12	011129010002	BISIKLETLİK PROFIL KOSEBENT ÜST KORUMA TAPASI	TAPPO PER CANTONALE	CAP	BOUCHON	VERSCHLUSS	

4 - MUDGUARD



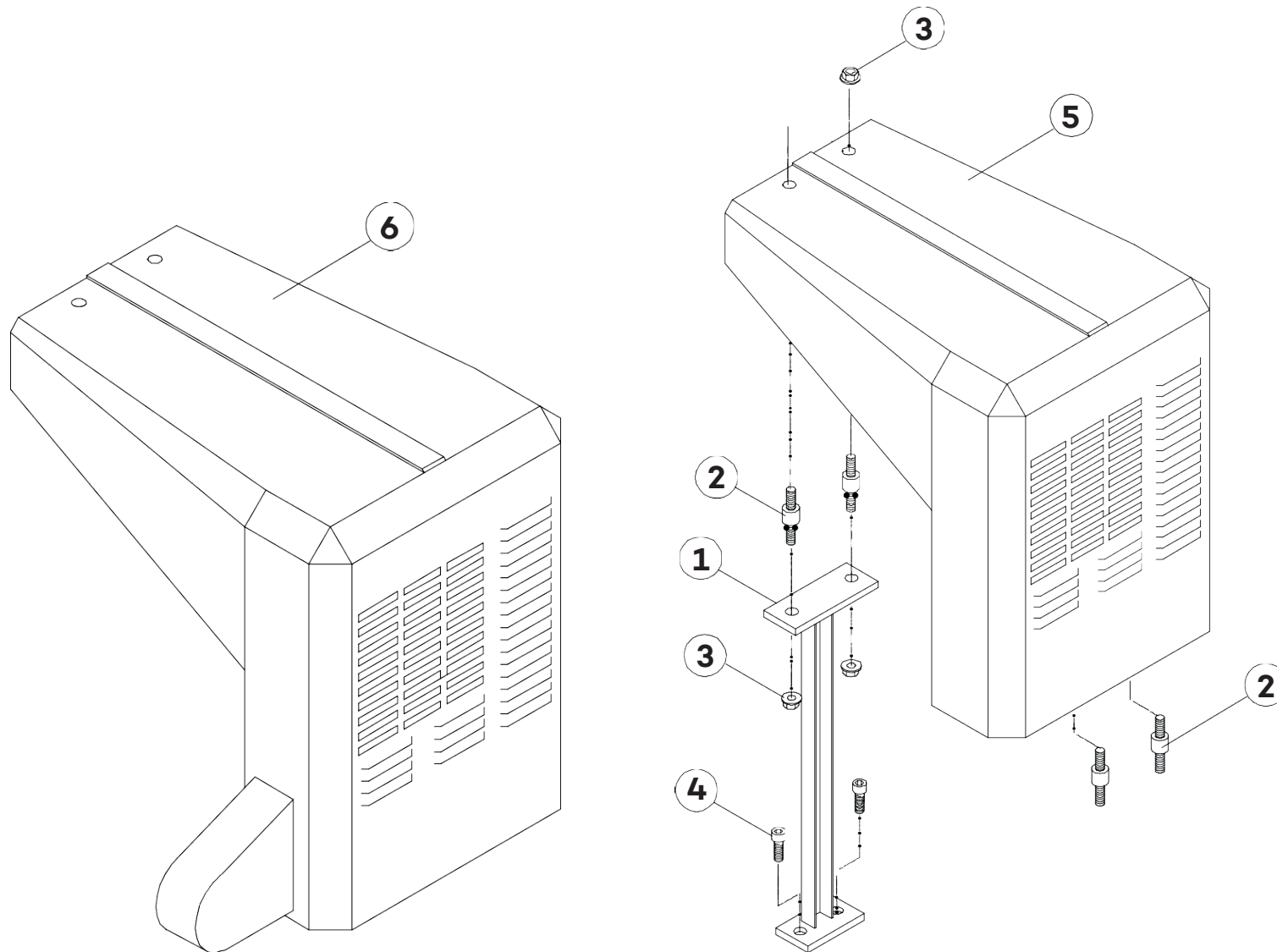
4 - MUDGUARD

#	Cod.	TR Açıklama	IT Descrizione	GB Description	FR La Description	DE Beschreibung	Note
1	010021010000	METAL CAMURLUK L=2926	PARAFANGO STANDARD	STEEL MUDGUARD	GARDE-BOUE	STANDARD SCHUTZBLECH	
1	1100-0004	CIFT TEKER PILOT CAMURLUK SERITLI 65x192 (AYM 42011)	PARAFANGO PLASTICO DOPPIA 65x192	STANDARD MUDGUARD	GARDE-BOUE	STANDARD SCHUTZBLECH	
1	020021010700	METAL CAMURLUK L=2709 DUZ	PARAFANGO ACCIAIO	IRON MUDGUARD	GARDE-BOUE ACIER	STAHL SCHUTZBLECH	
2	020021010120	CELIK CAMURLUK BORUSU L=804 D48 I=80	TUBO DI SOSTEGNO	SUPPORT TUBE	TUYAU SUPPORT	HALTERUNG ROHR	
2	1500-0032	CAMURLUK BORUSU L=820 mm	TUBO DI SOSTEGNO	SUPPORT TUBE	TUYAU SUPPORT	HALTERUNG ROHR	
6	010131080000	SOMUN M8 KILITLI 8.8 KALITE DIN 980 ZN	DADO	NUT	ÉCROU	MUTTER	ATB DIN 980 M 8
7	95202032	CIVATA M8 X 70 8.8 KALITE UNI 5737TE FP	VITE	SCREW	VIS	SCHRAUBE	5739 M8X70
8	68700901	PUL 84 X 16 YIVLI UNI 6592-69 R40 FEZN8CIA 010121780000	ROSETTA BISELLATA	WASHER	RONDELLE	DECKEL	8,4 X 16 UNI 6592-69
9	010131080000	SOMUN M8 KILITLI 8.8 KALITE DIN 980 ZN	DADO	NUT	ÉCROU	MUTTER	ATB DIN 980 M 8
10	010021010900	CAMURLUK PASPASI CIFTI 600 X 820	COPPIA PARASPRUZZI	PAIR SPLASH GUARD	COUPLE GARDE-GICLEE'	SPRITZBLECH	
10	010021010800	CAMURLUK PASPASI 620 X 400	COPPIA PARASPRUZZI	PAIR SPLASH GUARD	COUPLE GARDE-GICLEE'	SPRITZBLECH	
11	95001001	CIVATA M6 X 20 8.8 KALITE UNI 5739-65 TE TF FEZN8C1A	VITE	SCREW	VIS	SCHRAUBE	TE TF M6 X 20 UNI 5739-65
12	015502130000	PUL US1 6X10X1	ROSETTA BISELLATA	WASHER	RONDELLE	DECKEL	6 X 10X 1 UNI 6592-69 R40

4 - MUDGUARD

#	Cod.	TR Açıklama	IT Descrizione	GB Description	FR La Description	DE Beschreibung	Note
13	010119060000	SOMUN M6 YAKA DIN 6923 ZN	DADO FLANGIATO	FLANGED NUT	ECROU FLASQUE'	FLANSCHMUTTER	DIN 6923 M 6 ZN
14	030021030200	UZANTI ICIN GERILIM KANCASI METAL	ASS.TIRANTE C/MOLLA E MANOPOLA	TIE-ROD	TIRANT	ZUGSTAB	
14	030021030210	UZANTI ICIN GERILIM KANCASI PLASTIK	ASS.TIRANTE PLASTICO C/ MOLLA E MANOPOLA	TIE-ROD	TIRANT	ZUGSTAB	
15	010102000000	U CIVATA M6 X 1/2" ZN (ILAVE OLUK GRUBU ICIN)	CAVALLOTTO	U-BOLT	ÉTRIER	ROHRBRIDE	"1/2" M6 ZN"
15	1600-0015	PLASTIK CAMURLUK KELEPCESI	MORSETTO PER PARAFANGO IN PLASTICA	CLAMP FOR PLASTIC MUDGUARD	PINCE POUR GARDE- BOUE EN PLASTIQUE	CLAMP FÜR KUNSTSTOFF KOTFLÜGEL	
16	010119060000	SOMUN M6 YAKA DIN 6923 ZN	DADO FLANGIATO	FLANGED NUT	ECROU FLASQUE'	FLANSCHMUTTER	DIN 6923 M 6 ZN
17	023200181000	ILAVE OLUK ICIN DESTEK	SUPPORTO CANALA DI PROLUNGA	SUPPORT	SUPPORT	HALTER	
18	95001660	CIVATA M8 X 20 8.8 KALITE UNI 5739-65 TE TF FEZN8C1A	VITE	SCREW	VIS	SCHRAUBE	TE TF M8 X 20 UNI 5739-65
19	011129000000	CAM FITILI CELIK	PROFILO SALVABORDI PVC	RUBBER PROFILE	PROFIL EN CAOUTCHOU	GUMMI PROFIL	
20	0203001001	CELIK CAMURLUK BORUSU L=804 D48 I=250	TUBO SUPPORTO LATERALE	LATERAL SUPPORT PIPE	TUYAU SUPPORT LATERAL	HALTERUNG ROHR	
21	0203001002	CELIK CAMURLUK BORUSU TUTMA PLAKASI D48	STAFFA ASOLATA	BRACKET	ÉTRIER	SPANNEISEN	
22	95001701	CIVATA M8 X 25 (DBL) 8.8 KALITE UNI 5739-65 TE TF FEZN8C1A	VITE	SCREW	VIS	SCHRAUBE	TE TF M8X25

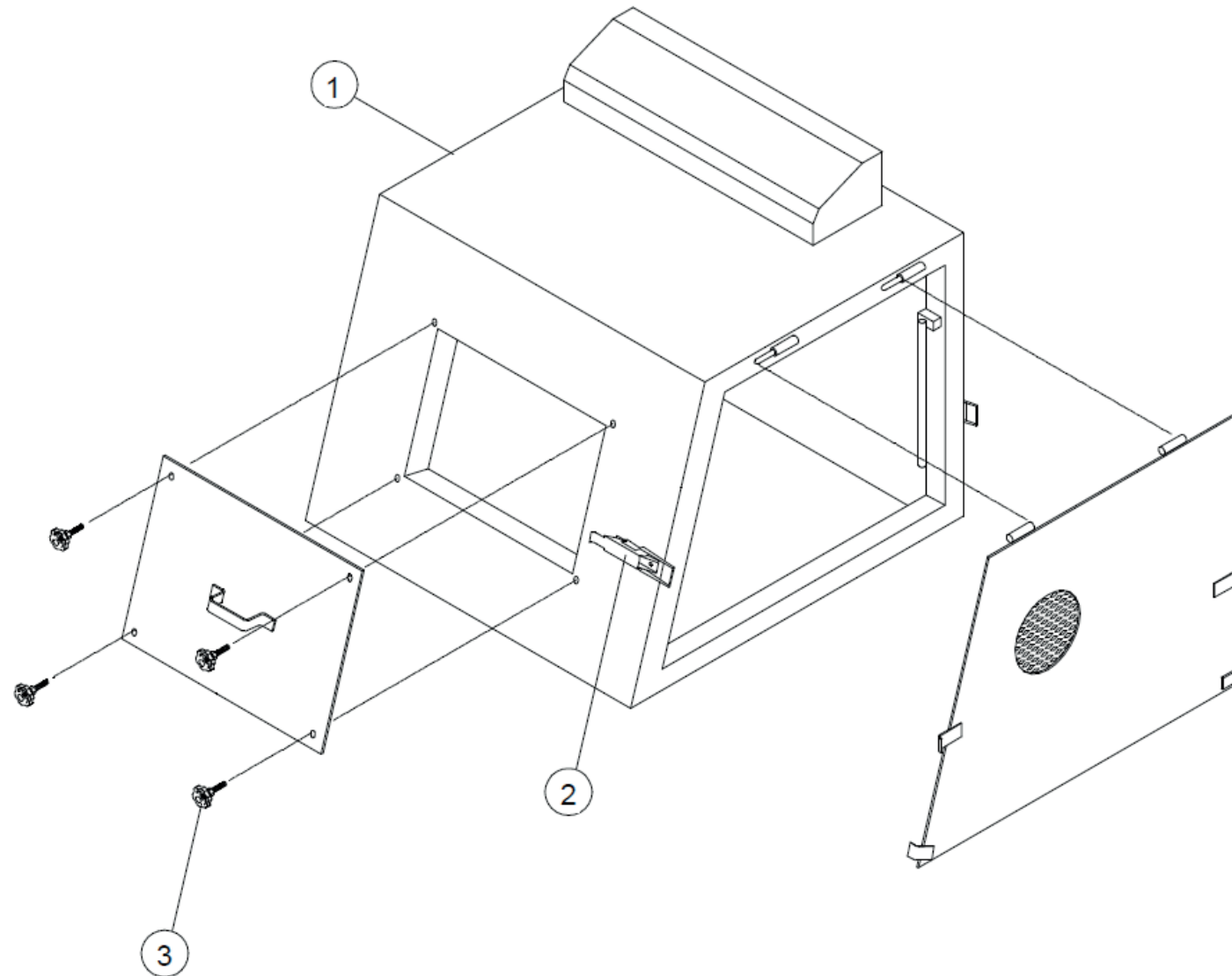
5 - HALF GUARD



5 - HALF GUARD

		TR	IT	GB	FR	DE	
#	Cod.	Açıklama	Descrizione	Description	La Description	Beschreibung	Note
1	030050020000	ILAVE MOTOR RAF DESTEK BRAKETI	STAFFA MENSOLA MEZZO CARTER	SUPPORT CLAMP FOR ENGINE COVE	SUPPORT	HALTERUNG	
2	011119000001	SUSTURUCU 50X45 M10X30 2MM05045B	ANTIVIBRANTE	SILENTBLOCK	SUPPORT ANTIVIBRATIONS	ANTIVIBRATIONSHALTER	50X45 M10
3	010119100000	SOMUN M10 FLANSLI (DBL) DIN 6923 ZN	DADO FLANGIATO	FLANGED NUT	ECROU FLASQUE'	FLANSCHMUTTER	M10
4	95002901	CIVATA M10 X 25 8.8 KALITE UNI 5739-65 TE TF FEZN8C1A	VITE	SCREW	VIS	SCHRAUBE	M10X25 UNI5739 ZN
5	0302317030	ILAVE MOTOR MUHAFAZASI SP2 TCD 3.6 L04	MEZZO CARTER	HALF GUARD	DEMI CAPOT	HALBE MOTORHAUBE	SERIAL NUMBER
6	032300303000	DEUTZ ILAVE MOTOR MUHAFAZASI F6L912	MEZZO CARTER C/PROTEZ. CINGHIA	HALF GUARD W. BELT SHIELD	DEMI CAPOT AVEC PROT. COURROIE	HALBE MOT.HAUBE MIT RIEMENSCH.	SERIAL NUMBER

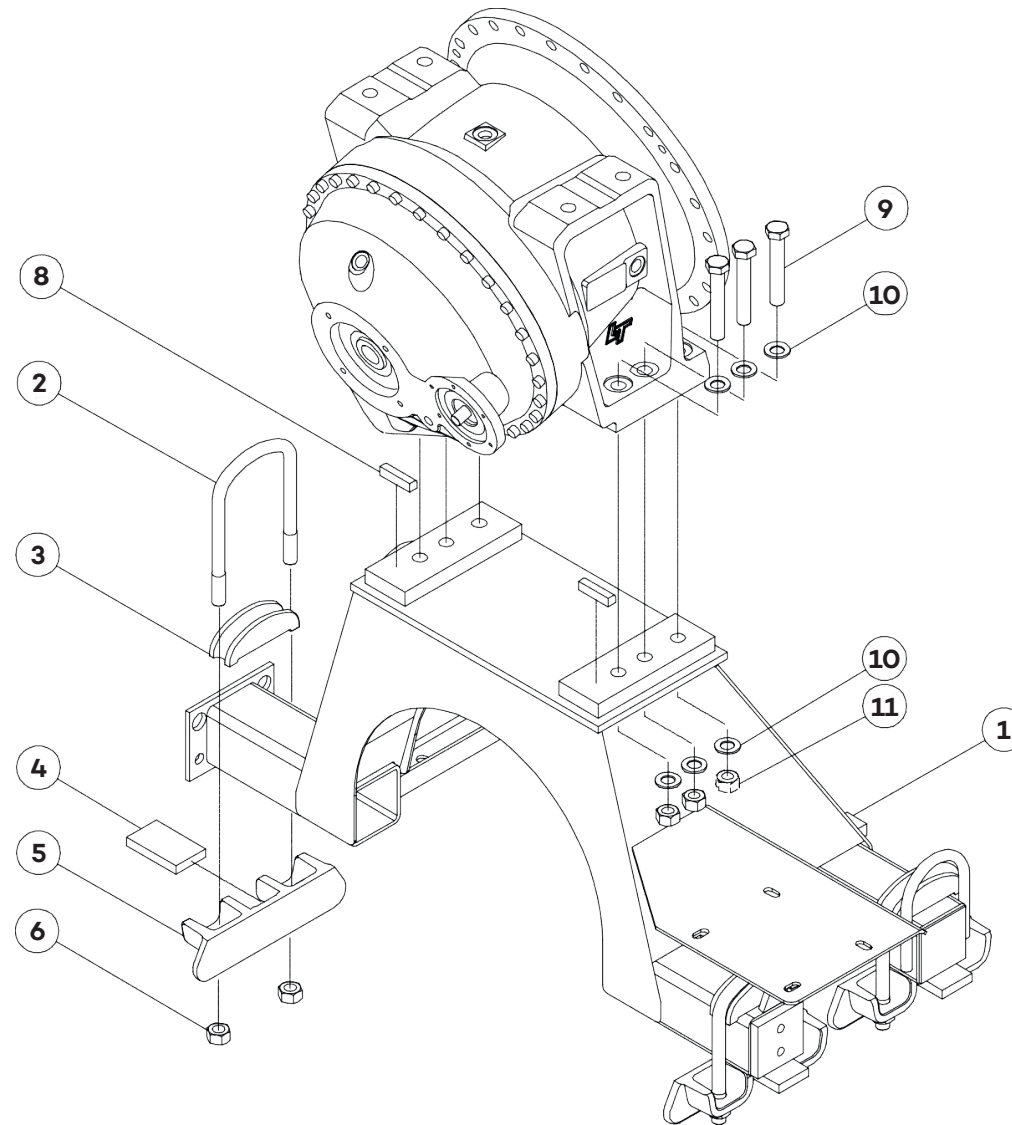
6 - SOUNDPROOF HOOD



6 - SOUNDPROOF HOOD

#	Cod.	TR Açıklama	IT Descrizione	GB Description	FR La Description	DE Beschreibung	Note
1	0300222107	MOTOR YALITIM EKIPMAN KORUMA GRUBU MONTAJLI	CARTER INSONORIZZATO	SOUNDPROOF HOOD	CAPOT INSONORISE'	LAERMSCHUTZHAUBE	SERIAL NUMBER
2	011127010000	DEUTZ MOTOR MUHAFAZA KAPAK ACMA-KAPAMA KOLU	CHIUSURA A SCATTO	LOCK	FERMETURE	SPERRUNG	
3	011132000000	DEUTZ MOTOR MUHAFAZA KAPAK ACMA-KAPAMA KAPAGI YAN PINLERI	VOLANTINO	HANDWHEEL	VOLANT	STEUER	60X20 FIL 10X25

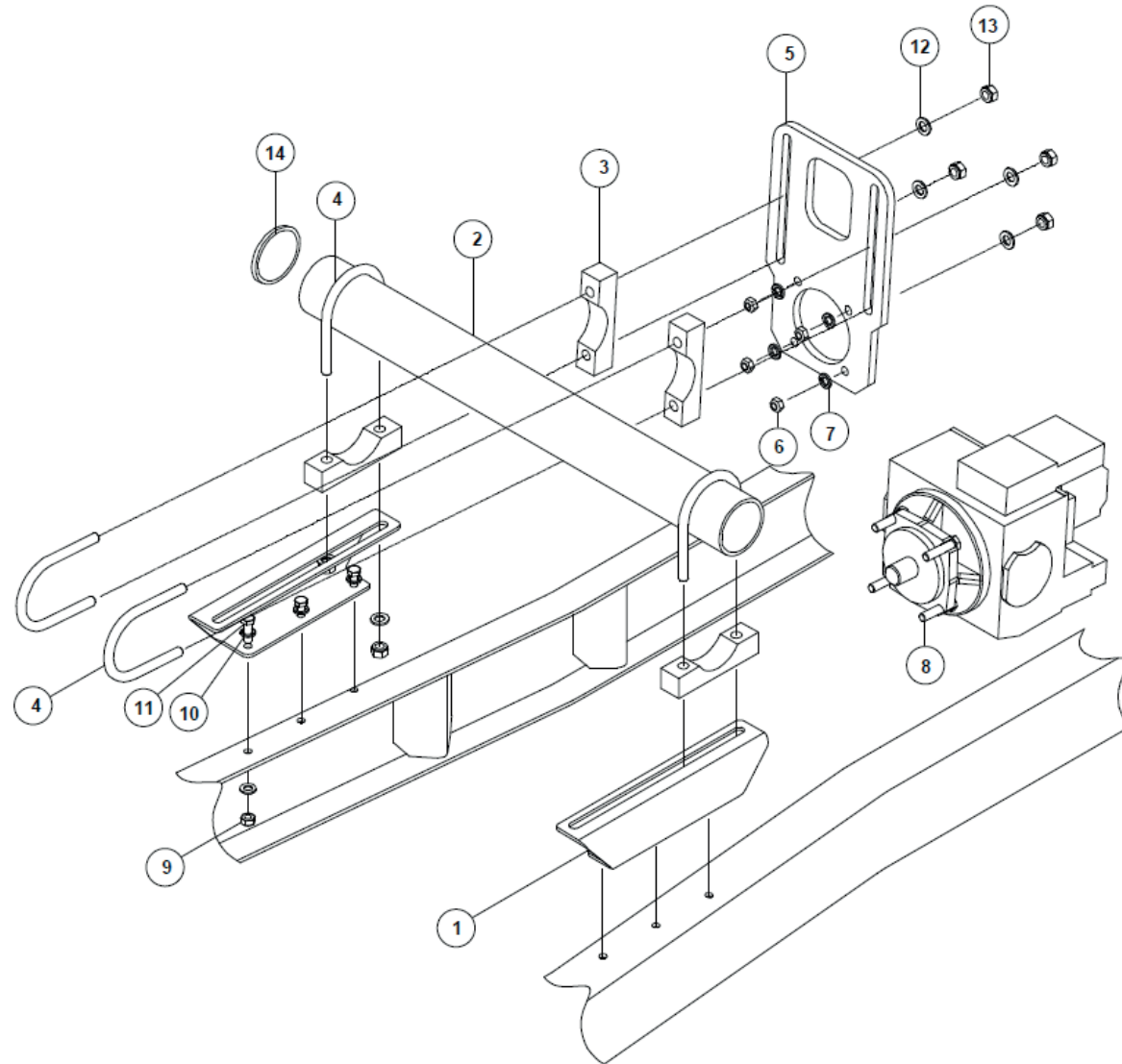
7 - FRONT SUPPORT



7 - FRONT SUPPORT

#	Cod.	TR Açıklama	IT Descrizione	GB Description	FR La Description	DE Beschreibung	Note
1	0300110001	ON DESTEK LT 8.7 - LT 8XL71°	CASTELLO ANTERIORE	FRONT SUPPORT	CHATEAU AVANT	GETRIEBEBOCK	SERIAL NUMBER
1	0300102010	ON DESTEK LT 9.7 - LT 10.75°	CASTELLO ANTERIORE	FRONT SUPPORT	CHATEAU AVANT	GETRIEBEBOCK	SERIAL NUMBER
1	031201030000	ON DESTEK LT 12.7	CASTELLO ANTERIORE	FRONT SUPPORT	CHATEAU AVANT	GETRIEBEBOCK	SERIAL NUMBER
1	0300111019	ON DESTEK LT 12XL7 (YENI)	CASTELLO ANTERIORE	FRONT SUPPORT	CHATEAU AVANT	GETRIEBEBOCK	SERIAL NUMBER
2	020105000000	U CIVATA M20X1,5 ON DESTEK 7,7 ICIN (38NiCrMo4 - 39NiCrMo3)	CAVALLOTTO PER BRIDA	U-BOLT	ÉTRIER	ROHRBRIDE	LT60 50X100
2	020106000000	U - CIVATA M20 X 1,5 (38NiCrMo4 - 39NiCrMo3)	CAVALLOTTO PER BRIDA	U-BOLT FOR BRIDE	ÉTRIER	ROHRBRIDE	LT 90 100X100
3	020002010500	BASINC PEDI KUCUK 7,7 ICIN ASTARLI	SCONTRO BRIDA VERNICIATO	PRESSURE PART FOR BRIDE	PARTIE A PRESSION POUR ETRIER	DRUCKELEMENT	LT 60
3	020002010600	BASINC PEDI M20 U CIVATA ICIN	SCONTRO BRIDA VERNICIATO	PRESSURE PART FOR BRIDE	PARTIE A PRESSION POUR ETRIER	DRUCKELEMENT	LT 90
4	020002010300	MERKEZLEYICI CELİK PLAKA 60 X 15 X 80	PIATTO LAMINATO	PLATE	SUPPORT	PLATTE	60 X 15 X 100
5	020002010200	SASE U BAGLANTI DOKUMU 6M3	FORGIATO BRIDA LAVORATA	SUPPORT CLAMP	ETRIER SUPPORT	HALTER	LT 60
5	030002010400	MIKSER SASISI U BAGLANTI SIKISTIRMASI DOVME KULAK	FORGIATO BRIDA	SUPPORT CLAMP	ETRIER SUPPORT	HALTER	LT 90
5	0200501001	MIKSER SASISI U BAGLANTI SIKISTIRMASI DUSUK DOVME KULAK LT 90 ISLENMIS	FORGIATO BRIDA	SUPPORT CLAMP	ETRIER SUPPORT	HALTER	LT 90 RIB
6	010132200000	SOMUN M20 X 1,5 KILITLI 8.8 KALITE DIN 980	DADO	NUT	ÉCROU	MUTTER	ATB DIN 980 M 20X15 ZN
8	020001000100	15 X 15 X 60 CELİK PLAKA	QUADRO LAMINATO	STOP	STOP	STOP	15 X 15 X 60
9	95205660	CIVATA M20 X 130 (DBL) 8.8 KALITE UNI 5737TE FP FEZN8C1A	VITE	SCREW	VIS	SCHRAUBE	M20 X 130 UNI 5737
10	68751800	PUL 21 X 37 X 4 (DBL) DUZ UNI 5714-75 FEZN8C1A	ROSETTA PIANA	WASHER	RONDELLE	DECKEL	21 X 37 X 4 UNI 5714-75
11	010131200000	SOMUN M20 KILITLI 8.8 KALITE DIN 980	DADO	NUT	ECROU	MUTTER	ATB M20 DIN 980

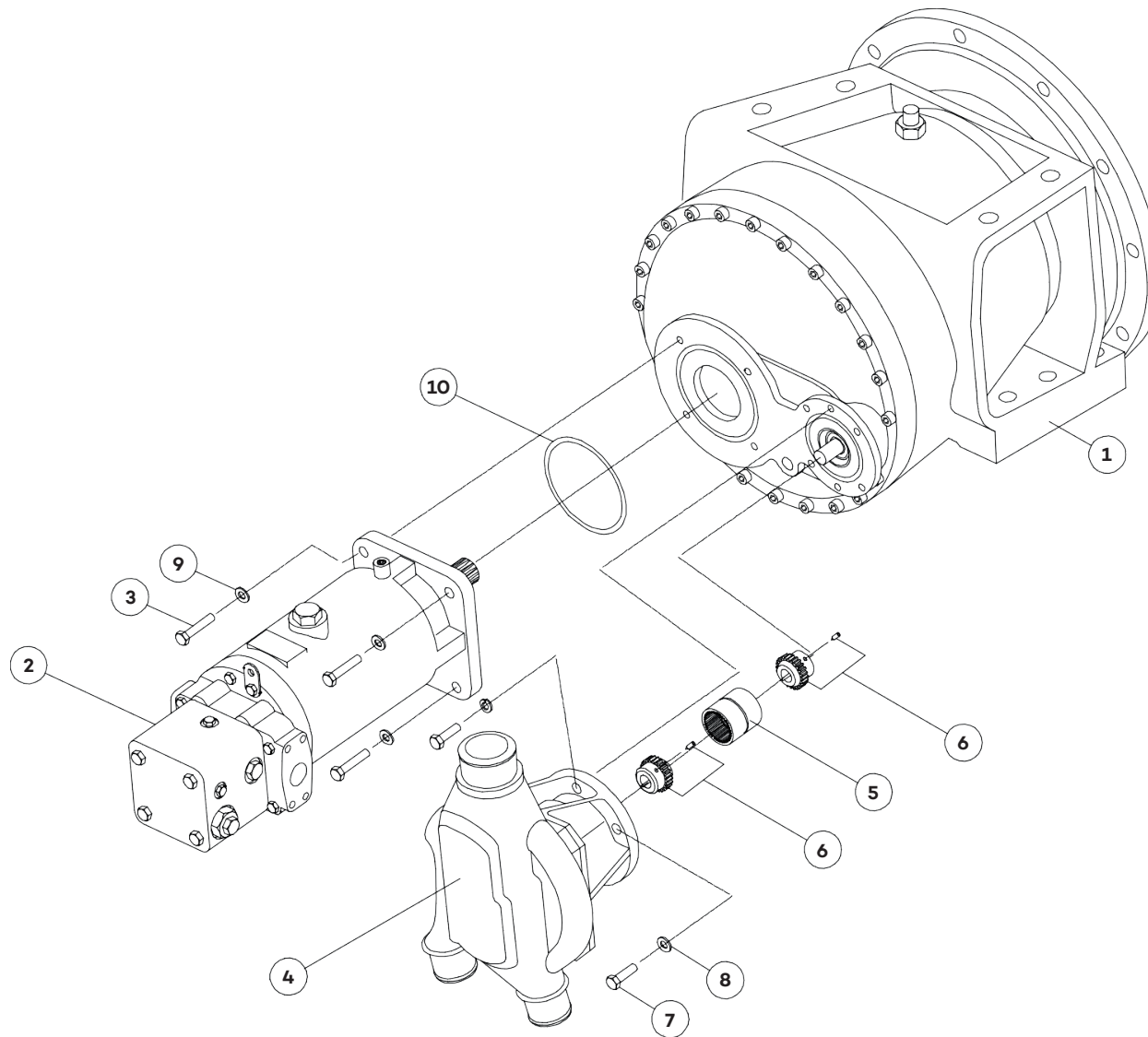
8 - HYDRAULIC PUMP SUPPORT



8 - HYDRAULIC PUMP SUPPORT

#	Cod.	TR Açıklama	IT Descrizione	GB Description	FR La Description	DE Beschreibung	Note
1	0202702004	POMPA BORU DESTEK AYAGI H=90 L=420	SUPPORTO TUBO POMPA OLEOD.	SUPPORT	SUPPORTE	HALTER	H=90 L=420
1	0202702009	POMPA BORU DESTEK AYAGI H=130 L=420	SUPPORTO TUBO POMPA OLEOD.	SUPPORT	SUPPORTE	HALTER	H=130 L=420
2	020051020101	POMPA DESTEK BORUSU 101,6 X 6,3 X 1000	TUBO SALDATO	PIPE	TAYAU	ROHR	
3	020051010300	KELEPCE STOP 40 X 40 X 180 D18	QUADRO RISCONTRO CAVALL.	U-BOLT PLATE	PLAQUE ETRIER	ROHRBRIDE PLATTE	40 X 40 X 180 D18
4	010104000000	U CIVATA M16 X 1,5 PTO ICIN (38NiCrMo4 - 39NiCrMo3)	CAVALLOTTO	U-BOLT	ÉTRIER	ROHRBRIDE	M16X15
5	020051010600	POMPA PLAKA DESTEĞI 422X260	PIASTRA SUPPORTO POMPA	SUPPORT PLATE	PLAQUE SUPPORTE	HALTERPLATTE	422X260
5	020051010600 -1	POMPA PLAKA DESTEĞI 452X260 FORD ICIN	PIASTRA SUPPORTO POMPA	SUPPORT PLATE	PLAQUE SUPPORTE	HALTERPLATTE	452X260
5	0202702017	POMPA PLAKA DESTEĞI 425X345 - 130 MM KAYIK	PIASTRA SUPPORTO POMPA	SUPPORT PLATE	PLAQUE SUPPORTE	HALTERPLATTE	425X345
5	0202702018	POMPA PLAKA DESTEĞI 515X345 - 130 MM KAYIK	PIASTRA SUPPORTO POMPA	SUPPORT PLATE	PLAQUE SUPPORTE	HALTERPLATTE	515X345
6	010131140000	SOMUN M14 KILITLI 8.8 KALITE DIN 980	DADO	NUT	ÉCROU	MUTTER	ATB M14
7	010115140000	PUL 15 X 28 X 4 DUZ UNI 5714 FEZNC1A	ROSETTA PIANA	WASHER	RONDELLE	DECKEL	15 X 28 SP=4 UNI 5714
8	95005301	CIVATA M14 X 60 (DBL) 8.8 KALITE UNI 5739-65 TE TF FEZN8C1A	VITE	SCREW	VIS	SCHRAUBE	M14x60 UNI 5739
9	010119120000	SOMUN M12 FLANSLI (DBL) DIN 6923 ZN	DADO FLANGIATO	FLANGED NUT	ECROU FLASQUE'	FLANSCHMUTTER	DIN 6923 M 12 ZN
10	68750600	PUL 13 X 24 X 3 DUZ UNI 5714-75 FEZN8CIA	ROSETTA PIANA	WASHER	RONDELLE	DECKEL	13 X 24 X 3 UNI 5714-75
11	95003901	CIVATA M12 X 30 (DBL) 8.8 KALITE UNI 5739-65 TE TF FEZN8C1A	VITE	SCREW	VIS	SCHRAUBE	M12 X 30 UNI 5739-65
12	010199160500	PUL 17 X 35 X 5 FEZN8C1A S235JR	ROSETTA PIANA	WASHER	RONDELLE	DECKEL	17 X 35 X 5 UNI 5714-75 ZN
13	010132160000	SOMUN M16 X 1,5 KILITLI GALVANIZLI 8.8 KALITE DIN 980	DADO	NUT	ÉCROU	MUTTER	ATB M16 X 1,5
14	79801300	POMPA DESTEK BORUSU KAPAGI	TAPPO IN POLIETILENE	POLYTHENE CAP	BOUCHON EN POLYÉTHYLÈNE	RUNDE VERSCHLUSS	D90 H14

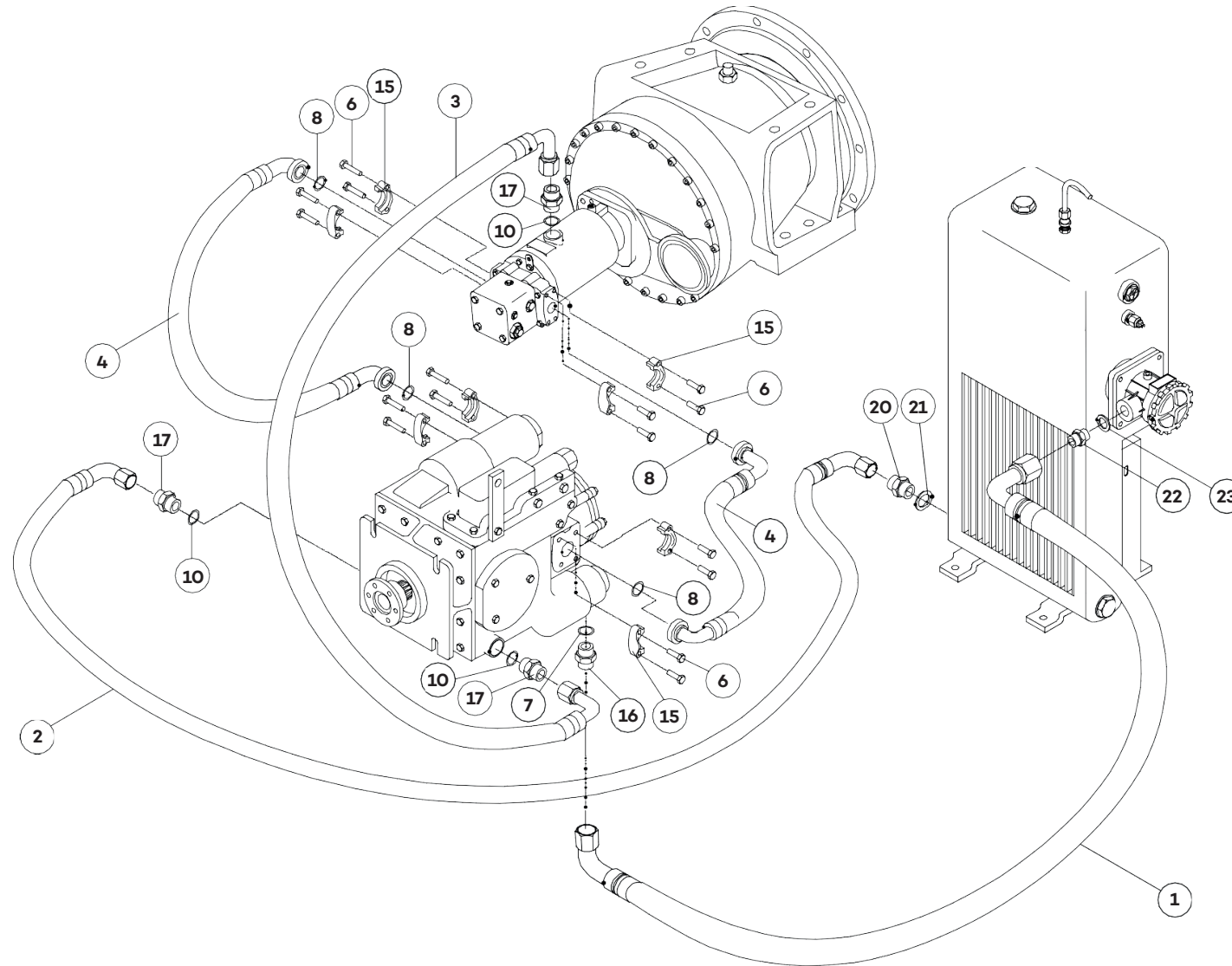
9 - GEARBOX/WATER PUMP/HYDRAULIC MOTOR



9 - GEARBOX/WATER PUMP/HYDRAULIC MOTOR

		TR	IT	GB	FR	DE	
#	Cod.	Açıklama	Descrizione	Description	La Description	Beschreibung	Note
1	011051000210	OK 2.7 REDUKTOR C.A.P SU POMPALI L65.1203.3 PMB6.5 CPR-120-C4-21N-CM-0	RIDUTTORE 2.7	GEARBOX	REDUCTEUR	UNTERSETZUNGSGETRIEBE	SERIAL NUMBER
1	011051000321	OK 2.81 REDUKTOR C.A.P SU POMPALI L71.1205.2 PMB7.1 CPR-120-C4-21N-CM-0	RIDUTTORE 2.8	GEARBOX	REDUCTEUR	UNTERSETZUNGSGETRIEBE	SERIAL NUMBER
2	014963020000	HIDROLIK MOTOR PROMEC PMHM 90 MCL.9002.1 M90 V-C4-21N-RO-F20	MOTORE PMP 90	HYDRAULIC MOTOR	MOTEUR HYDRAULIQUE	HYDRAULIK MOTOR	SERIAL NUMBER
2	014954010000	EATON HIDROLIK MOTOR 54 5433-259 IN SAE 6000	MOTORE EATON 54	HYDRAULIC MOTOR	MOTEUR HYDRAULIQUE	HYDRAULIK MOTOR	SERIAL NUMBER
3	95004001	CIVATA M12 X 35 (DBL) 8.8 KALITE UNI 5739-65 TE TF FEZN8C1A	VITE	SCREW	VIS	SCHRAUBE	M 12X35 UNI 5739 ZN
4	010540000000	SU POMPASI LT I30 L00.0001.0 (B3) (450 lt/dak-4 bar)	POMPA ACQUA	WATER PUMP	POMPE A EAU	WASSERPUMPE	L&T I30
5	010504110000	SU POMPASI LT I30 ICIN PLASTIK MAFSAL	MANICOT.IN POLIAMMIDE	PLASTIC JOINT	JOINT EN PLASTIQUE	PLASTIK KUPPLUNG	
6	010504010000	SU POMPASI I30 ICIN GOBEK BOWEX M 24 D18	MOZZO PER GIUNTO	JOINT GEAR	ENGRENAGE JOINT	KUPPLUNGSGETRIEBE	
7	95001701	CIVATA M8 X 25 (DBL) 8.8 KALITE UNI 5739-65 TE TF FEZN8C1A	VITE	SCREW	VIS	SCHRAUBE	M8X25 UNI 5931
8	010121780000	PUL M8 UNI 1734 ZN UNI 6592	ROSETTA	WASHER	RONDELLE	DECKEL	M8
9	68750600	PUL 13 X 24 X 3 DUZ UNI 5714-75 FEZN8CIA	ROSETTA PIANA	WASHER	RONDELLE	DECKEL	13 X 24 X 3 UNI 5714-75
10	010909000000	O HALKA 3,53X32,93 OR 4131 90SHORE	GUARNIZIONE O-RING	O-RING	O-RING	O-RING	

10 - HYDRAULIC SYSTEM PIPES

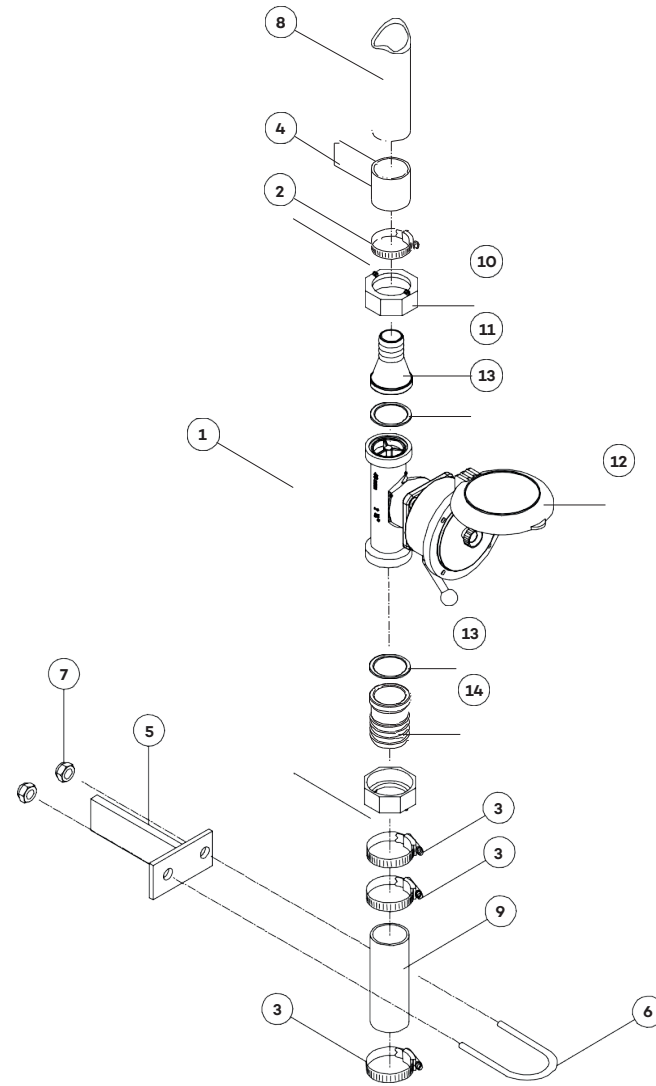


10 - HYDRAULIC SYSTEM PIPES



#	Cod.	TR Açıklama	IT Descrizione	GB Description	FR La Description	DE Beschreibung	Note
1	032800130805	HIDROLİK HORTUM SETİ 1 1/4" X M45*2 R1 D-90 L=1920	TUBO ASPIRAZIONE PMP	PRE-CONNECTED FLEXIBLE HOSE	TUYAU FLEXIBLE	SCHLAUCHE	1 1/4" R1 L=1920
1	032800130805-4	HIDROLİK HORTUM SETİ 1 " X M45*2 R1 D-90 L=1920 EATON İCİN	TUBO ASPIRAZIONE EATON	PRE-CONNECTED FLEXIBLE HOSE	TUYAU FLEXIBLE	SCHLAUCHE	1 1/4"M45*2 R1 L=1920
2	032800130056	HIDROLİK HORTUM SETİ 3/4"R1 L=1220 90-90	TUBO RITORNO	PRE-CONNECTED FLEXIBLE HOSE	TUYAU FLEXIBLE	SCHLAUCHE	3/4" SAE 100 R1T L= 1180
2	032800130453	HIDROLİK HORTUM SETİ 3/4" R1 L=1600 90-90	TUBO TRAFILAMENTO	PRE-CONNECTED FLEXIBLE HOSE	TUYAU FLEXIBLE	SCHLAUCHE	3/4" SAE 100 R1T L= 1600 90-90
3	032800130453	HIDROLİK HORTUM SETİ 3/4" R1 L=1600 90-90	TUBO TRAFILAMENTO	PRE-CONNECTED FLEXIBLE HOSE	TUYAU FLEXIBLE	SCHLAUCHE	3/4" SAE 100 R1T L= 1600 90-90
3	032800130453-1	HIDROLİK HORTUM SETİ 3/4" R1 L=1600 90-0 BİR TARAFI DUZ	TUBO TRAFILAMENTO	PRE-CONNECTED FLEXIBLE HOSE	TUYAU FLEXIBLE	SCHLAUCHE	3/4" SAE 100 R1T L= 1660 90-D
4	032800130180	HIDROLİK HORTUM SETİ 1" TF4SP L=1400 POMPA MOTOR ARASI	TUBO ALTA PRESSIONE	PRE-CONNECTED FLEXIBLE HOSE	TUYAU FLEXIBLE	SCHLAUCHE	1" R9 L= 1400
4	032800130180-1	HIDROLİK HORTUM SETİ 1" TF4SP L=1900 POMPA MOTOR ARASI	TUBO ALTA PRESSIONE	PRE-CONNECTED FLEXIBLE HOSE	TUYAU FLEXIBLE	SCHLAUCHE	1" R9 L= 1900
6	95004102	CIVATA M12 X 40 109 (129) KALİTE UNI 5739-65 TE TF	VİTE FOR PMP	SCREW	VİS	SCHRAUBE	M12 X 40 (129) UNI5739
6	010102380630	K CIVATA 7/16 X 1" 1/2 109 KALİTE	VİTE FOR EATON	SCREW	VİS	SCHRAUBE	7/16 X 1"1/2 UNC 109
8	010909000000	O HALKA 3,53X32,93 OR 4131 90SHORE	GUARNIZIONE O-RING	O-RING	O-RING	O-RING	
15	010302530000	YARIM FLANS CİFTİ (2 ADET YARIM FLANS) HK-47 SAE 6000 1"	COPPIA SEMIFLANGE	LOCK WASHER	RONDELLE	FLANCH	HK-47 SAE 6000 1"
16	1800-0110	NIPEL 1 1/4" - R M45*2 O-RİNGLİ	NIPPLES	NIPPLE	MAMELON	NIPPEL	1"1/4
17	64503025	OLEO NIPEL 3/4" - 3/4"	NIPPLES	NIPPLE	MAMELON	NIPPEL	3/4"
20	015501040010	BAGLANTI ELEMANI M26x15 İNCE DİS NIPEL 3/4"R	NIPPLES	NIPPLE	MAMELON	NIPPEL	3/4"
21	69000540	PUL 32 X 27 BAKIR	ROSETTA IN RAME	WASHER	RONDELLE	DECKEL	DE=32 DI=27
22	1800-0110	NIPEL 1 1/4" - R M45*2 O-RİNGLİ	NIPPLES	NIPPLE	MAMELON	NIPPEL	1"1/4
23	69000552	PUL 1"1/4 BAKIR	ROSETTA IN RAME	WASHER	RONDELLE	DECKEL	1"1/4

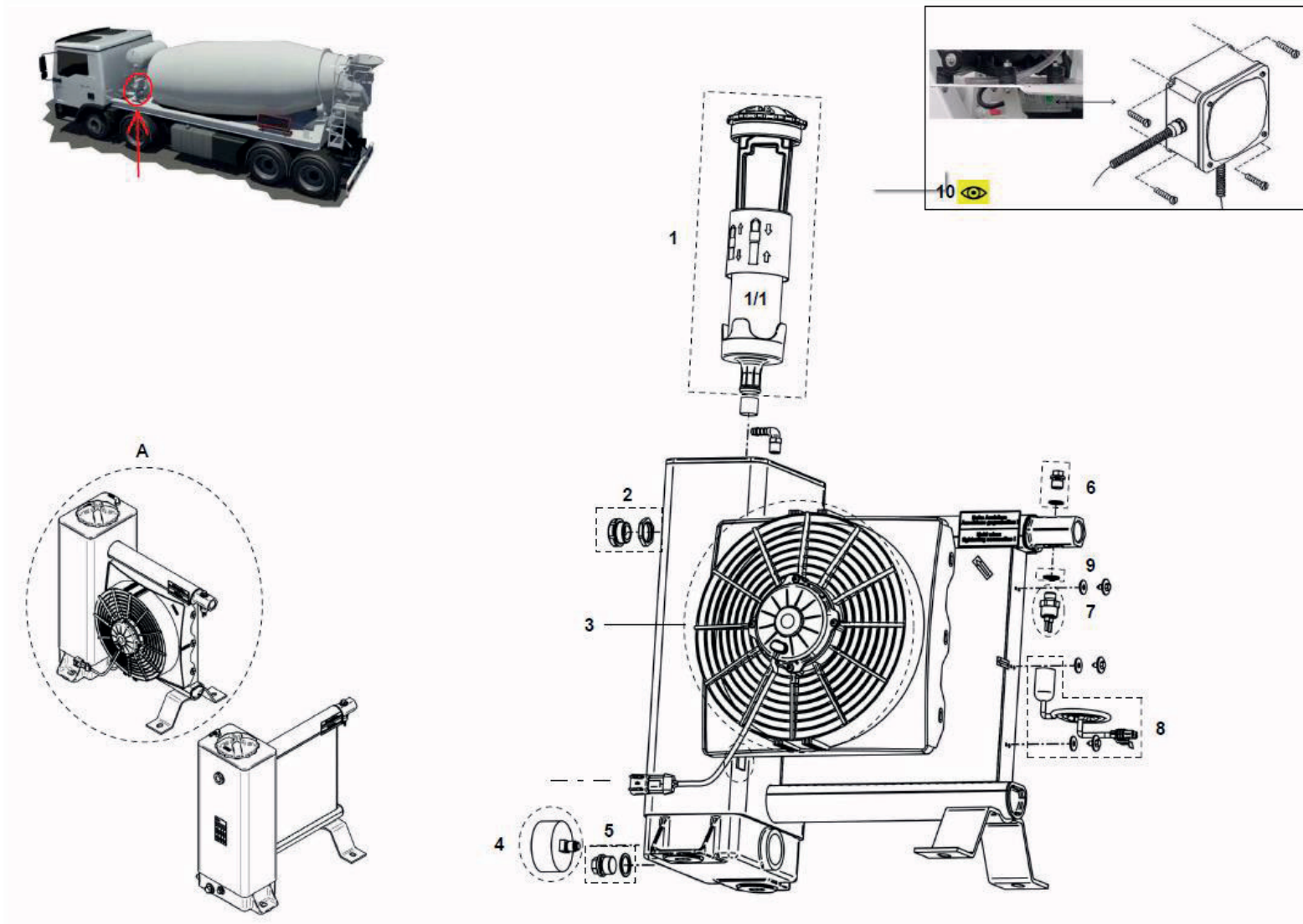
11 - FLUID METER MADDALENA



11 - FLUID METER MADDALENA

#	Cod.	TR Açıklama	IT Descrizione	GB Description	FR La Description	DE Beschreibung	Note
1	041901050000	SU SAATI (500) & MUSLUK TUTACAGI (1"-1 1/2") SETI	CONTALITRI COMPLETO	FLUID METER	COMPTEUR D'EAU	WASSERZAEHLER	TDML MAC 500 L MADDALENA
2	1600-0021	KELEPCE 43-47W1	FASCETTA	CLAMP	COLLIER	SCHELLE	43-47
3	1600-0008	HORTUM KELEPCESI AGIR 59-63	FASCETTA	CLAMP	COLLIER	SCHELLE	59-63
4	030007060600	SU OLCER BORUSUNU TUTMAK ICIN COLLARE	COLLARE	COLLAR	COLLIER	SCHELLE	
5	0200908035	2 SLOT 18X9LU 40X20X4 L=263 DIRSEK	STAFFA FISSAGGIO TUBO	FIXING FLASK	PLAQUE DE FIXATION	SPANNEISEN	
6	0401-0030	U CIVATA M8 X 1 1/2" L=70 (SU TESISATI)	COLLARE	CLAMP	COLLIER	SCHELLE	DIAM. 59X63
7	010119080000	SOMUN M8 FLANSLI (DBL) DIN 6923 ZN	DADO	NUT	ÉCROU	MUTTER	ATB DIN 980 M 8
8	024210060600	SU HORTUMU 32X44 L=1100 (SAATTEN FISKIYEYE)	TUBO IN GOMMA	RUBBER HOSE	TUYAU EN CAOUTCHOUC	GUMMISCHLAUCH	Ø 33X44 L=1100
9	024210120200	SU HORTUMU 48X63 L=1150 (SU POMPASI - ARKA TESISAT)	TUBO GOMMA	RUBBER HOSE	TUYAU EN CAOUTCHOUC	GUMMISCHLAUCH	Ø 48X57 1011/6999
11	1520-0010	HORTUM TUTACAGI 1"1/2 BETON MIKSER	PORTAGOMMA	HOSE FITTING	SUPPORT TUYAU	HALTER	1"
12	041901050020	SU SAATI MAC 500 L MADALENA	CONTALITRI 500 LT	FLUID METER	COMPTEUR D'EAU	WASSERZAEHLER	
12	011901020000	2000LT.PASOLU MADELANA SU SAATI	CONTALITRI 2000 LT	FLUID METER	COMPTEUR D'EAU	WASSERZAEHLER	
13	1520-0010	HORTUM TUTACAGI 1"1/2 BETON MIKSER	GUARNIZIONE	GASKET	JOINT	DICHTUNG	1-1/2"

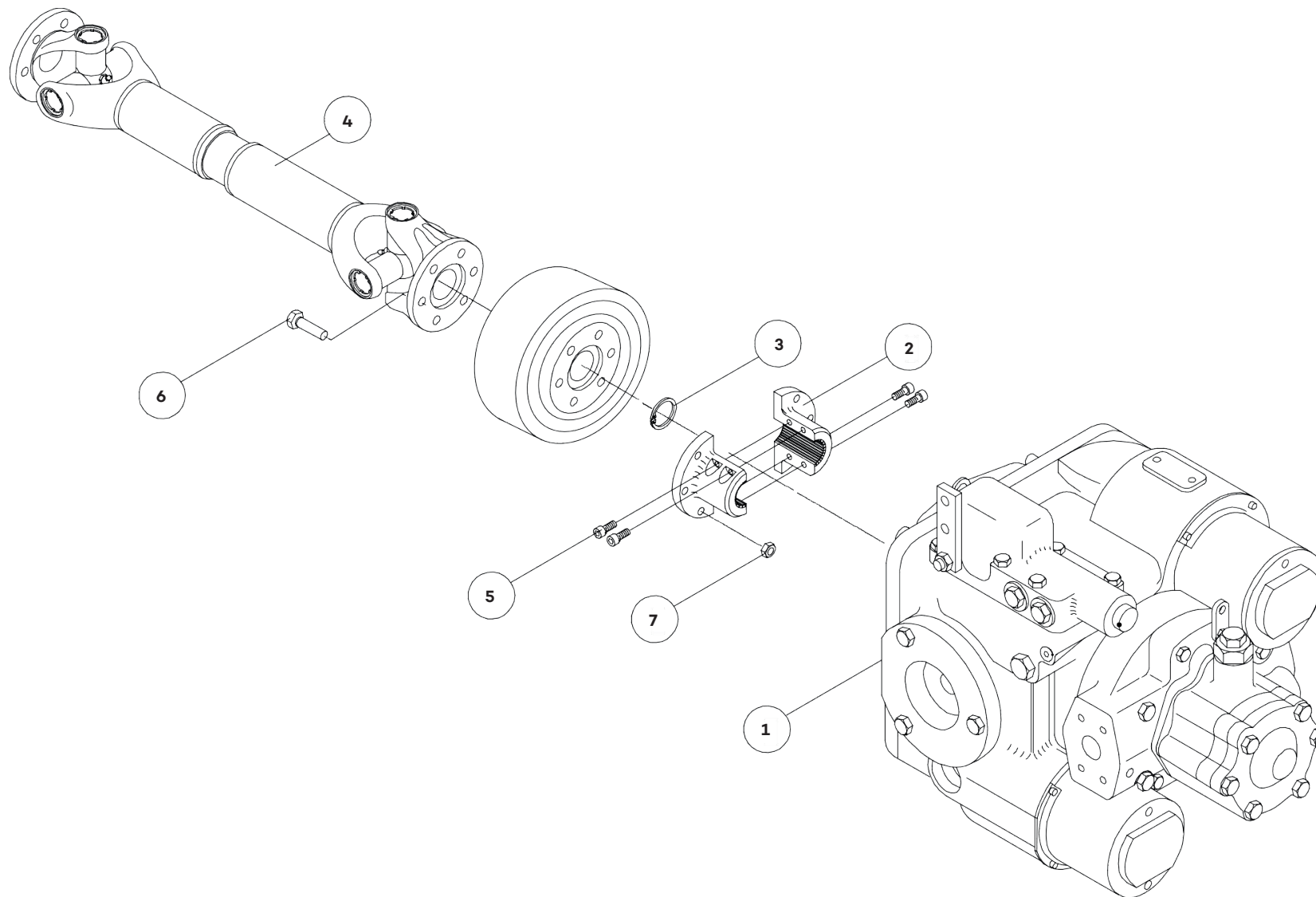
12 - HEAT EXCHANGER



12 - HEAT EXCHANGER

#	Cod.	TR Açıklama	IT Descrizione	GB Description	FR La Description	DE Beschreibung	Note
1	014701011003	AKG YAG SOGUTUCU GOVDELI FILTRE	FILTRO OLIO	OIL FILTER	FILTRE HUILE	ÖLFILTER	ASPIRAZIONE
1/1	014701011006	AKG YAG SOGUTUCU FILTRESİ	CARTUCCIA FILTRO	FILTER CARTRIDGE	CARTOUCHE FILTRE	FILTER EINSATZ	
2	014701011004	AKG YAG SEVIYE CAM GOSTERGESI GRUBU SOMUNLU (1501071100-1500951300)	LIVELLO A VISTA	SIGHT LEVEL	NIVEAU A VUE	SICHT STAND	x AKG
3	014701011001	AKG YAG SOGUTUCU ICIN MOTOR + FAN 24V	MOTORE CON VENTOLA	MOTOR WITH FAN	MOTEUR AVEC EVENTOIR	MOTOR MIT LUEFTERRAD	24V AKG
4	014701011005	AKG YAG SOGUTUCU VAKUM METRESİ	VACUOMETRO	VACUUM GAUGE	VACUOMETRE	VAKUUMMETER	AKG
5	014701011007	AKG YAG SOGUTUCU YAG TANKI ALT TAPA KITI (1500265600-1500260600)	TAPPO	CAP	BOUCHON	VERSCHLUSS	DI SCARICO
6	014701011009	AKG YAG SOGUTUCU ISI MUSURU UST TAPA KITI (1500324800-1500266400)	TAPPO	CAP	BOUCHON	VERSCHLUSS	
7	014701011002	AKG ELEKTRIKLI ISI DUGMESİ	BULBO TEMPERATURA	TEMPERATURE BULB	BULBE TEMPERATURE	THERMOSCHALTER	AKG
8	014701011008	AKG YAG SOGUTUCU ISI MUSUR KABLO KITI (0150202500)	CAVO BULBO TEMPERATURA	TEMPERATURE BULB CABLE	CÂBLE BULBE TEMPERATURE	KABEL THERMOSCHALTER	AKG
9	014701011010	AKG ELEKTRIKLI ISI DUGMESİ ICIN CONTA(1500265400)	GUARNIZIONE	GASKET	JOINT	DICHTUNG	
10	012700231401	YAG SOGUTUCU ELEKTRIKLI KUMANDA KUTUSU PTO CPL ICIN ELEKTRIK AKSAMİ L=5500	SCATOLA ELETTRICA	ELECTRIC BOX	BOITE ELECTRIQUE	GEHAEUSE ELEKTRISCH	SOFTSTART
A	014701011000	AKG YAG SOGUTUCU 24V	SCAMBIATORE DI CALORE	HEAT EXCHANGERS	ÉCHANGEUR DE CHALEUR	WARMEAUSTAUSCH	24VDC

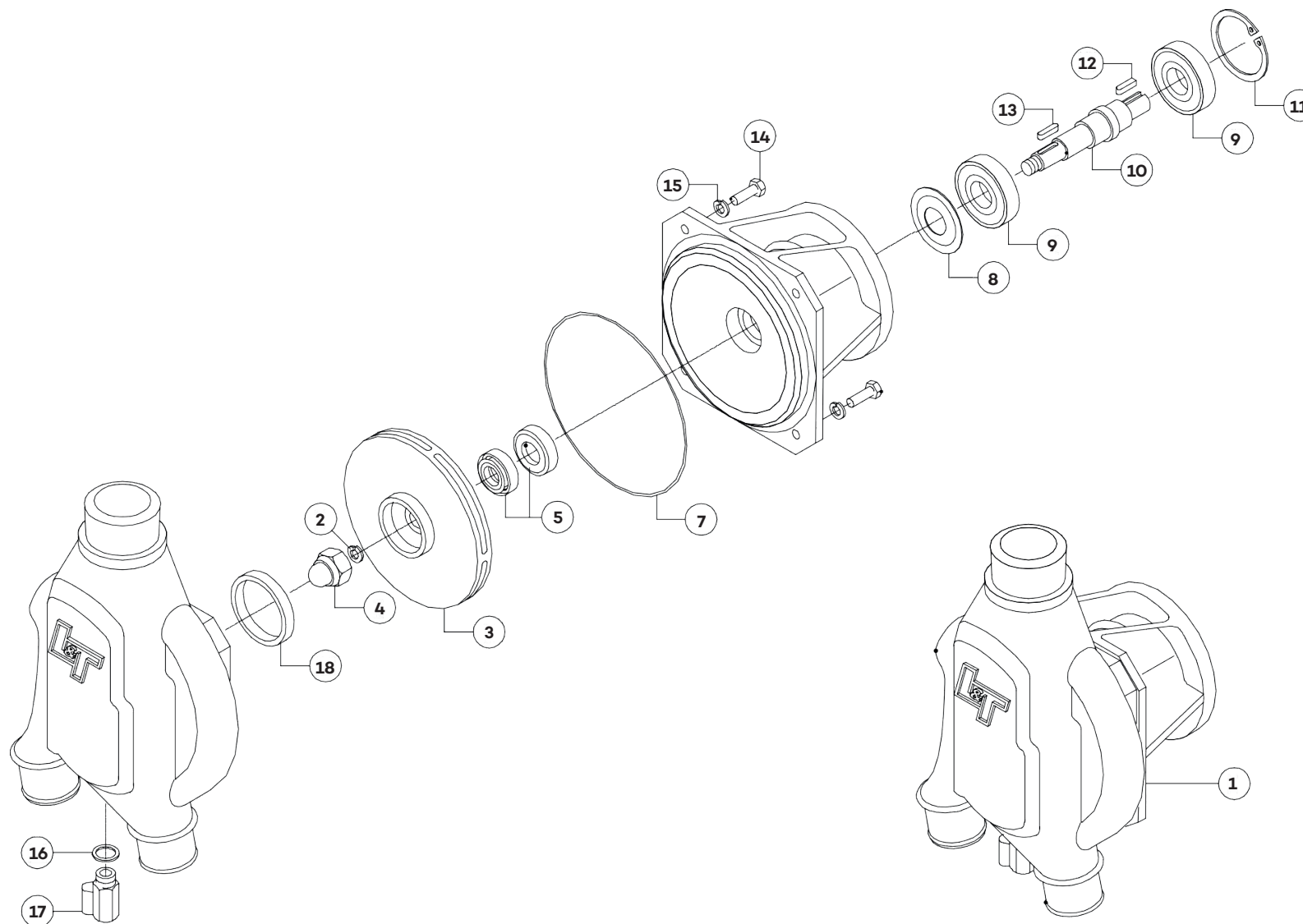
13 - HYDRAULIC PUMP



13 - HYDRAULIC PUMP

#	Cod.	TR Açıklama	IT Descrizione	GB Description	FR La Description	DE Beschreibung	Note
1	015164000000	EATON HIDROLIK POMPA 64 6423-749	POMPA EATON 64	EATON HYDRAULIK PUMP	POMPE HYDRAULIQUE	HYDRAULIKPUMPE	SERIAL NUMBER
1	015146020000	EATON HIDROLIK POMPA 46	POMPA EATON 46	EATON HYDRAULIK PUMP	POMPE HYDRAULIQUE	HYDRAULIKPUMPE	SERIAL NUMBER
1	01510605400F	HIDROLIK POMPA PROMEC PMHP 110 MANUEL KONTROL CW FLANSLI PCL.11074 P110 R-MS-V-C4-23F-O-CP2-420-A	POMPA PMP110	EATON HYDRAULIK PUMP	POMPE HYDRAULIQUE	HYDRAULIKPUMPE	SERIAL NUMBER
1	015106053000	HIDROLIK POMPA PROMEC PMHP 90 MANUEL KONTROL CW PCL9002.0 P90 R-MS-V-C4-23N-O-CP2-420-A	POMPA PMP90	EATON HYDRAULIK PUMP	POMPE HYDRAULIQUE	HYDRAULIKPUMPE	SERIAL NUMBER
1	01510605500F	HIDROLIK POMPA PROMEC PMHP 72 MANUEL KONTROL CW + FLANSLI PCL.72123_O P72 R-MS-V-C4-21F-O-CP2-420-A	POMPA PMP72	EATON HYDRAULIK PUMP	POMPE HYDRAULIQUE	HYDRAULIKPUMPE	SERIAL NUMBER
2	015123000100	FLANS 23 DISINI BAGLAMA 3810035	KIT FLANGIA POMPA C/VITI E SEEGER	KIT FLANGE FOR PUMP	BRIDE POMPE AVEC SEEGER ET VIS	FLANSH MIT SEEGER U. SCHRAUBE	SPV 23
3	010121320000	SEGMAN DIN 472 D35 23 DIS BAGLANTI SEGMANI	ANELLO SEEGER PER FORI	RETAINING RING	BAGUE D'ARRÊT	SICHERUNGSRING	UNI 7437 D32
4	0102701002	SAFT DIN100-DIN100 L=500 LMIN=470 LMAX=530	GIUNTO CARDANICO L=500 - DIN100	CARDAN	CARDAN	KARDANWELLE	SERIAL NUMBER
4	0102701003	SAFT DIN100-DIN100 L=600 LMIN=570 MAX=630	GIUNTO CARDANICO L=600- DIN100	CARDAN	CARDAN	KARDANWELLE	SERIAL NUMBER
4	012803150300	SAFT DIN100-DIN100 L=700 2000-3000NM LMIN=670 LMAX=730	GIUNTO CARDANICO L=700- DIN100	CARDAN	CARDAN	KARDANWELLE	SERIAL NUMBER
4	0102701006	SAFT DIN100-DIN100 L=800 LMIN=770 LMAX=830	GIUNTO CARDANICO L=800- DIN100	CARDAN	CARDAN	KARDANWELLE	SERIAL NUMBER
4	0102701016	SAFT SAE1400-DIN100 L=600 LMIN=570 LMAX=630	GIUNTO CARDANICO L=600- SAE1400	CARDAN	CARDAN	KARDANWELLE	SERIAL NUMBER
4	0102701027	SAFT SAE1400-DIN100 L=800 2000- 3000NM LMIN=770 LMAX=830	GIUNTO CARDANICO L=800- SAE1400	CARDAN	CARDAN	KARDANWELLE	SERIAL NUMBER
5	94703210	CIVATA M8 X 25 IMBUSS 12.9 KALITE UNI 5931 TF	VITE	SCREW	VIS	SCHRAUBE	M8X25 UNI 5931
6	010101088000	CIVATA M8 X 25 10.9 KALITE UNI 5739 ZN TE TF	VITE	SCREW	VIS	SCHRAUBE	M8x25 UNI 5739
6	010101089600	CIVATA M8 X 30 (DBL) 10.9 KALITE UNI 5739 ZN TE TF	VITE	SCREW	VIS	SCHRAUBE	M8X30 UNI 5739
7	010131080200	SOMUN M8 KILITLI DIN 980 10.9 KALITE ZN	DADO	NUT	ECROU	MUTTER	DADO ATB M8 DIN 980 CLASSE 1

14 - WATER PUMP I30

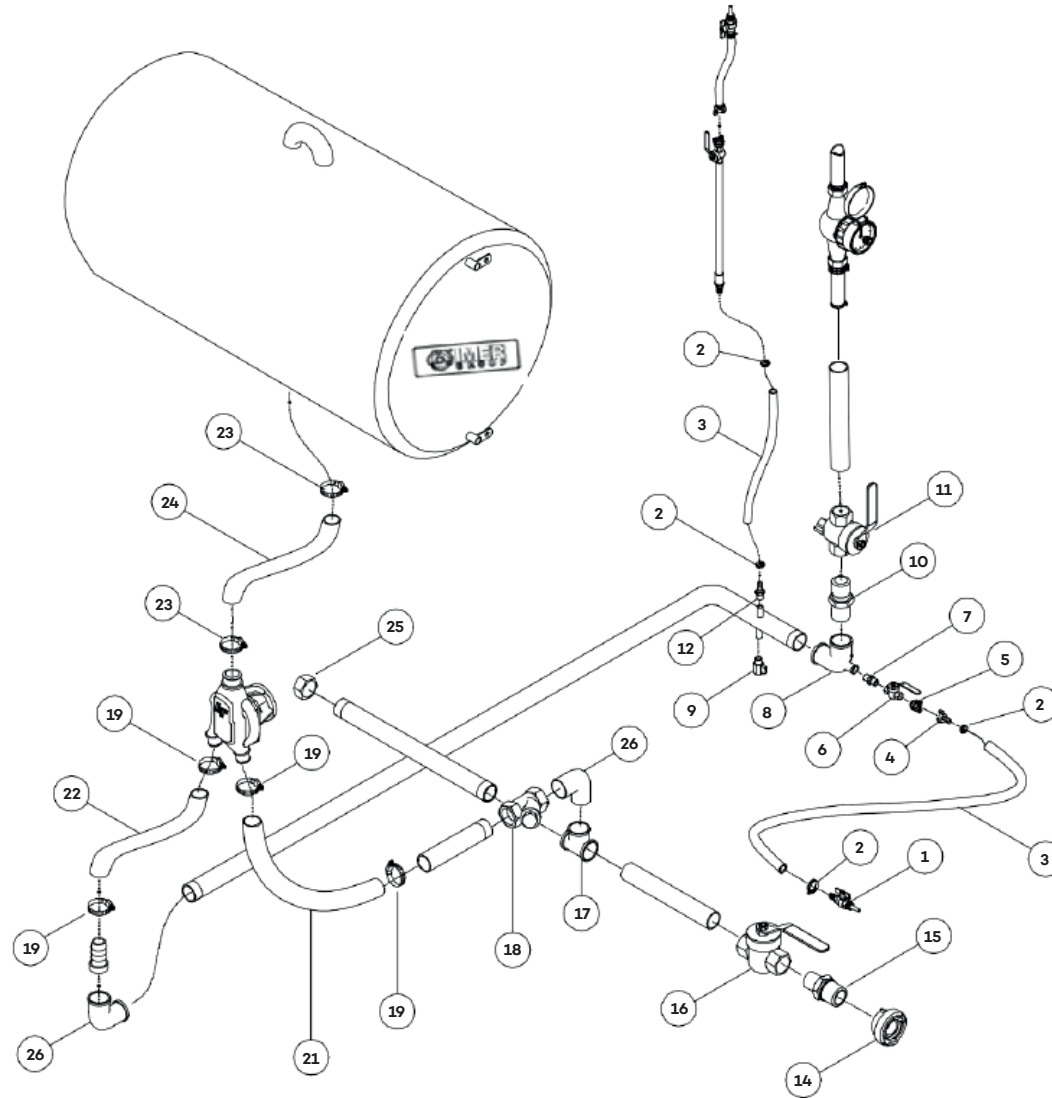


14 - WATER PUMP I30



#	Cod.	TR Açıklama	IT Descrizione	GB Description	FR La Description	DE Beschreibung	Note
1	010540000000	SU POMPASI LT I30 L00.00010 (B3) (450 lt/dak-4 bar)	POMPA ACQUA	WATER PUMP	POMPE A EAU	WASSERPUMPE	L&T I30
2	010540110100	SU POMPASI KONTRASI SAC PULU DE=31 DI=13	ROSETTA	WASHER	RONDELLE	DECKEL	DE=31 DI=13
3	010540060000	SU POMPASI KOMPRESORU	GIRANTE LAVORATA POMPA ACQUA	IMPELLER	ROULANT	PUMPENFLUEGELRAD	I30 C30
4	010540070000	LTI 30 SU POMPASI MILI SOMUNU	DADO BLOCC. GIRANTE POMPA ACQUA	RING NUT	ECROU A ENCOCHES	MUTTER	
5	010540080100	LTI SU POMPASI MEKANIK CONTA SETI	TENUTA MECCANICA COMPLETA	SEAL	JOINT	DICHTUNG	
7	010904080000	LTI30 SU POMPASI O RINGI 2,62 X 164,77	GUARNIZIONE O-RING	O-RING	O-RING	O-RING	3,62X164,77
8	010540100000	SU POMPASI RULMAN BASKI SACI	SPESSORE - POMPA CENTRIFUGA I30	SPACER	EPAISSEUR	STAERKE	
9	011240010000	SU POMPASI RULMANI	CUSCINETTO	BEARING	ROULEMENT	LAGER	6305 2RS 1/C3
10	010540110000	LTI SU POMPASI MILI	ALBERO GIRANTE LAVORATO	SHAFT	ARBRE	WELLE	
11	01501500	SEGMAN D62 UNI 7437-75 (KILITLI)	SEEGER PER FORO	SEEGER RING	BAGUE SEEGER	SEEGERRING	Ø62 UNI 7437
12	41500800	KAMA 6X6X20 UNI 6604-69 SU POMPASI MILI ICIN	LINGUETTA	KEY	CLAVETTE	PASSFEDER	6 X 6 X 20 UNI 6604-69
13	41500600	ANAHTAR-KAMA 5X5X20 UNI 6604-69 SU POMPASI IC MILI ICIN	LINGUETTA	KEY	CLAVETTE	PASSFEDER	5 X 5 X 20 UNI 6604-69
14	95001701	CIVATA M8 X 25 (DBL) 8.8 KALITE UNI 5739-65 TE TF FEZN8C1A	VITE	SCREW	VIS	SCHRAUBE	M 8X25 TE UNI 5740
15	010121780000	PUL M8 UNI 1734 ZN UNI 6592	ROSETTA GROWER	WASHER	RONDELLE	DECKEL	8,4 UNI 1751
16	69000501	PUL 17X 23 X 1,5 BAKIR 3/8" FOR OLEO CODE45000RR17 62010017	ROSETTA IN RAME	WASHER	RONDELLE	DECKEL	17X23X1,5
17	010301030000	SU TESISATI TAHLIYE ICIN TOP VALF 3/8"	VALVOLA A SFERA	BALL VALVE	SOUPAPE	KUGELVENTIL	M-F 3/8"
18	010540130000	LTI SU POMPASI ICIN BRONZ BURC I30 140.0000	BRONZINA POMPA CENTRIFUGA I30	BRONZE RING	BAGUE D'USURE EN BRONZE	BRONZELAGER	Øe=64 Øi=57,3

15 - WATER SYSTEM I30



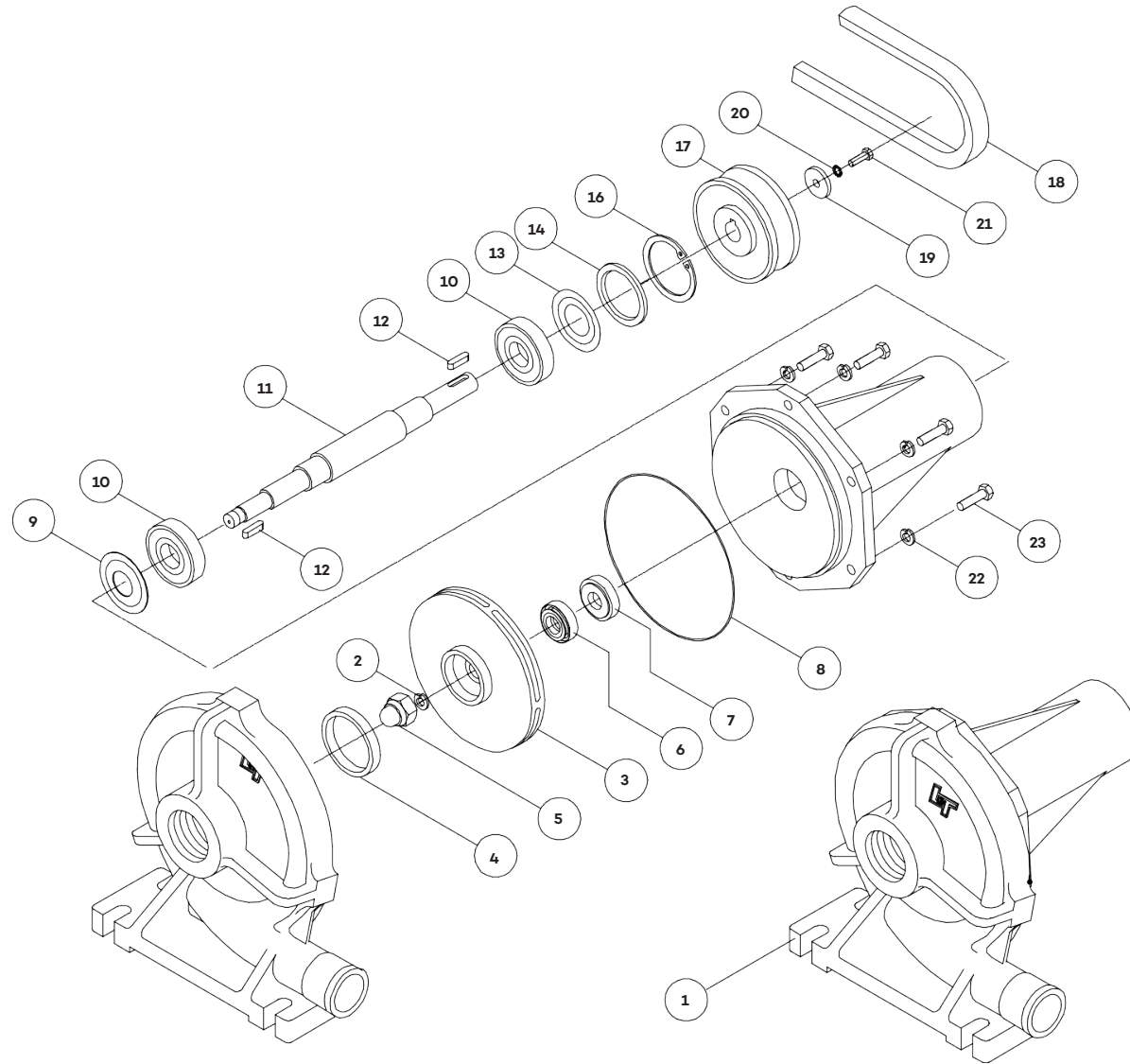
15 - WATER SYSTEM I30

#	Cod.	TR Açıklama	IT Descrizione	GB Description	FR La Description	DE Beschreibung	Note
1	010303280000	1/2 INC YIKAMA FISKIYESİ	RUBINETTO	TAP	ROBINET	HAHN	3/4
2	010702000000	KELEPCE 22-30	FASCETTA	CLAMP	COLLIER	SHELLE	20-30
3	010213000000	SU HORTUMU 19 X 28	TUBO GOMMA	RUBBER HOSE	TUYAU EN CAOUTCHOUC	GUMMISCHLAUCH	Ø 19X28 L=2000
4	010303610000	HIZLI HORTUM BAGLANTI ELEMANI 3/4" - YIKAMA HORTUMU ICIN -	ATTACCO BAIONETTA	HOSE FITTING	SUPPORT TUYAU	GUMMIHALTER	Ø19
5	010303940000	HIZLI BAGLAYICI 3/4"	ATTACCO BAIONETTA	FITTING	RACCORD	ANSCHLUSSSTUECK	3/4
6	010301020300	TOP VALF FF 3/4"	VALVOLA A SFERA	BALL VALVE	SOUPAPE	KUGELVENTIL	3/4"
7	61700500	NIPEL N8 MM 3/4" GAZ UNI 5208-70	NIPPLES	NIPPLE	MAMELON	NIPPEL	3/4
8	010303410000	BAGLANTI ELEMANI 1"1/2 - 1"1/2 - 3/4"	RACCORDO A "T"	TEE UNION	RACCORD EN "T"	ANSCHLUSSSTUECK	1" 1/2 -1" 1/2-3/4" ZN
9	010301030000	SU TESISATI TAHLIYE ICIN TOP VALF 3/8"	VALVOLA A SFERA	BALL VALVE	SOUPAPE	KUGELVENTIL	M-F 3/8"
10	61700801	NIPEL N8 MM 1" 1/2 GAS UNI 5208-70 GALVANIZLI FIG.280	NIPPLES	NIPPLE	MAMELON	NIPPEL	"1"1/2 ZN"
11	010301010600	TOP VALF 1" 1/2 FF	VALVOLA A SFERA CON SCARICO	BALL VALVE	SOUPAPE	KUGELVENTIL	1" 1/2
12	010303510000	HORTUM BAGLANTI ELEMANI 3/4" X 20	RACCORDO PORTAGOMMA	HOSE FITTING	SUPPORT TUYAU	GUMMIHALTER	3/4X20
14	010303190000	2" 85 LIK KURT AGZI	INNESTO RAPIDO	QUICK COUPLING	GREFFE RAPIDE	SCHNELLKUPPLUNG	"2"'''
15	61801201	NIPEL N8 MM 2"-1"1/2 UNI 5208-7	NIPPLES	NIPPLE	MAMELON	NIPPEL	"RID 2"'''-1"1/2 ZN"

15 - WATER SYSTEM I30

#	Cod.	TR Açıklama	IT Descrizione	GB Description	FR La Description	DE Beschreibung	Note
16	010301010600	TOP VALF 1" 1/2 FF	VALVOLA A SFERA	BALL VALVE	SOUPAPE	KUGELVENTIL	1" 1/2
17	62100700	TE B1 FFF 1"1/2 GAZ UNI 5194-70	TEE	TEE UNION	RACCORD EN "T"	ANSCHLUSSSTUECK	1" 1/2 ZN
18	26750700	SU FILTRESI 1"1/2	FILTRO ACQUA	WATER FILTER	FILTRE EAU	WASSERFILTER	1"1/2 A Y INOX FIG. 36
19	1600-0008	HORTUM KELEPCESI AGIR 59-63	FASCETTA	CLAMP	COLLIER	SCHELLE	59 - 63
19	1600-0024	KELEPCE 63-68 W1 AGIR IS KELEPCESI	FASCETTA	CLAMP	COLLIER	SCHELLE	63 - 68
21	024210120100	SU HORTUMU 48X63 L=850 (ON TESISAT - SU POMPASI)	TUBO GOMMA	RUBBER HOSE	TUYAU EN CAOUTCHOUC	GUMMISCHLAUCH	Ø 48X63
22	024210120200	SU HORTUMU 48X63 L=1150 (SU POMPASI - ARKA TESISAT)	TUBO GOMMA	RUBBER HOSE	TUYAU EN CAOUTCHOUC	GUMMISCHLAUCH	Ø 48X63
23	1600-0010	KELEPCE 70-75	FASCETTA	CLAMP	COLLIER	SCHELLE	70X75
24	010230000000	60MM Z HORTUM ORU KODU DI=60 DE=70	TUBO Z TYPE	PIPE	TUYAU	ROHR	Ø60XØ70
24	1510-0012	60MM S HORTUM	TUBO S TYPE	PIPE	TUYAU	ROHR	Ø60XØ70
24	010230000000-1	60MM Z HORTUM KISA TIP 315 LT TANK ICIN DI=60 DE=70 BUKUMLER ARASI 140 MM	TUBO SHORT S TYPE	PIPE	TUYAU	ROHR	Ø60XØ70
25	010303340000	DISI TAPA 1"1/2 ZN	TAPPO FEMMINA	FEMALE PLUG	BOUCHON FEMME	VERSCHLUSS	"1"1/2 ZN"
26	010303182300	45° 1"1/2 DIRSEK DEVE BOYNU	GOMITO	ELBOW	COURBE	KNIE	"1"1/2 ZN"

16 - WATER PUMP C30



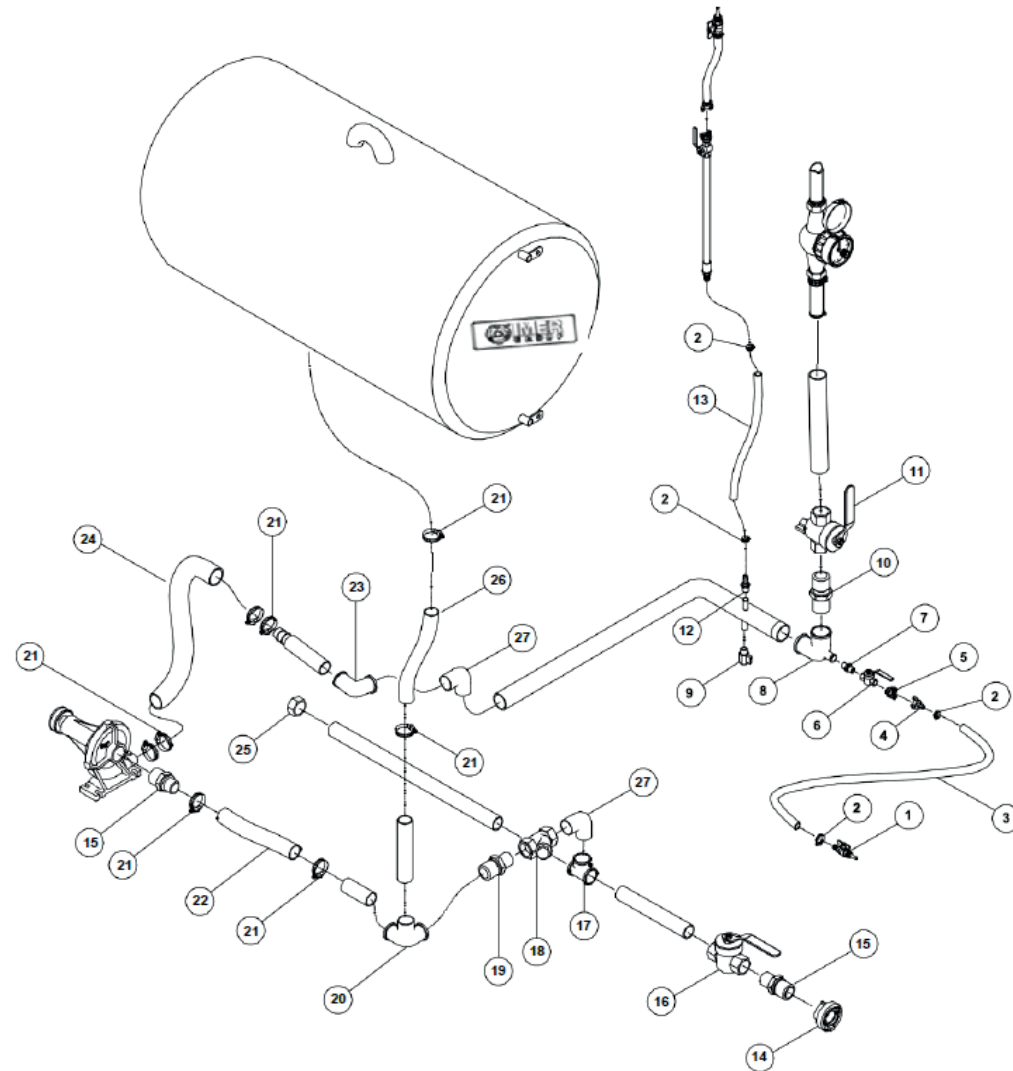
16 - WATER PUMP C30

		TR	IT	GB	FR	DE	
#	Cod.	Açıklama	Descrizione	Description	La Description	Beschreibung	Note
1	010541000000	SU POMPASI LT C30 (B4) ILAVE MOTOR ICIN PMB00.0008.0	POMPA ACQUA	WATER PUMP	POMPE EAU	WASSERPUMPE	C30
2	010540110100	SU POMPASI KONTRASI SAC PULU DE=31 DI=13	ROSETTA	WASHER	RONDELLE	DECKEL	DE=31 DI=13
3	010540060000	SU POMPASI KOMPRESORU	GIRANTE LAVORATA POMPA ACQUA	IMPELLER	ROULANT	PUMPENFLUEGELRAD	I30 C30
4	010540130000	LTI SU POMPASI ICIN BRONZ BURC I30 140.0000	BRONZINA POMPA CENTRIFUGA I30	BRONZE RING	BAGUE D'USURE EN BRONZE	BRONZELAGER	Øe=64 Øi=57,3
5	010540070000	LTI 30 SU POMPASI MILI SOMUNU	DADO BLOCC. GIRANTE POMPA ACQUA	RING NUT	ECROU A ENCOCHES	MUTTER	
6	010540080100	LTI SU POMPASI MEKANIK CONTA SETI	TENUTA MECCANICA COMPLETA	SEAL	JOINT	DICHTUNG	
7	010540090000	SU POMPASI KECESI	CONTRO-TENUTA FACCE DI SCIVOLO	COUNTER SEAL	JOINT	DICHTUNG	
8	010904080000	LTI30 SU POMPASI O RINGI 2,62 X 164,77	GUARNIZIONE O-RING	O-RING	O-RING	O-RING	3,62X164,77
9	010540100000	SU POMPASI RULMAN BASKI SACI	SPESSORE - POMPA CENTRIFUGA I30	SPACER	EPAISSEUR	STAERKE	
10	011240010000	SU POMPASI RULMANI	CUSCINETTO	BEARING	ROULEMENT	LAGER	6305 2RS 1/C3
11	010541050000	SU POMPASI LT C30 ICIN MIL	ALBERO LAVORATO POMPA ACQUA	SHAFT	ARBRE	WELLE	C30

16 - WATER PUMP C30

#	Cod.	TR Açıklama	IT Descrizione	GB Description	FR La Description	DE Beschreibung	Note
12	41500600	ANAHTAR-KAMA 5X5X20 UNI 6604-69 SU POMPASI IC MILI ICIN	LINGUETTA	KEY	CLAVETTE	PASSFEDER	5 X 5 X 20 UNI 6604-69
13	011240010100	SU POMPASI RULMANI KAPAGI NILOS 6305 ZJV	ANELLO	RING	BAGUE	DISTANZSCHEIBE	NILOS 6305 ZJV
14	010540130000	LTI SU POMPASI ICIN BRONZ BURC I30 140.0000	BRONZINA POMPA CENTRIFUGA I30	BRONZE RING	BAGUE D'USURE EN BRONZE	BRONZELAGER	Øe=64 Øi=57,3
16	01501500	SEGMAN D62 UNI 7437-75 (KILITLI)	SEEGER PER FORO	SEEGER RING	BAGUE SEEGER	SEEGERRING	Ø62 UNI 7437
17	010505170000	LTI SU POMPASI ICIN KASNAK 1 SPB 90	PULEGGIA	PULLEY	POULIE	HINTERROLLE	1 SPB 90
18	12500597	V KAYIS B54	CINGHIA TRAPEZOIDALE B 54	BELT	COURROIE	RIEMEN	
19	010540100000	SU POMPASI RULMAN BASKI SACI	SPESSORE - POMPA CENTRIFUGA I30	SPACER	EPAISSEUR	STAERKE	
20	68700880	PUL 6.4 X 24 X 2 DUZ ISO 7093-2 FEZN8C1A	RONDELLA	WASHER	RONDELLE	DECKEL	
21	94701520	CIVATA TF M6 X 16 TCEI 8.8 KALITE UNI 5931 FEZN8C1A	VITE	SCREW	VIS	SCHRAUBE	M 6X16
22	69301200	PUL A 8,4 YAYLI UNI 1751 C72 FEZN8C	ROSETTA GROWER	WASHER	RONDELLE	DECKEL	GROWER M8 UNI 1751/52
23	010101088000	CIVATA M8 X 25 10.9 KALITE UNI 5739 ZN TE TF	VITE	SCREW	VIS	SCHRAUBE	M 8X25 TE UNI 5740

17 - WATER SYSTEM C30



17 - WATER SYSTEM C30

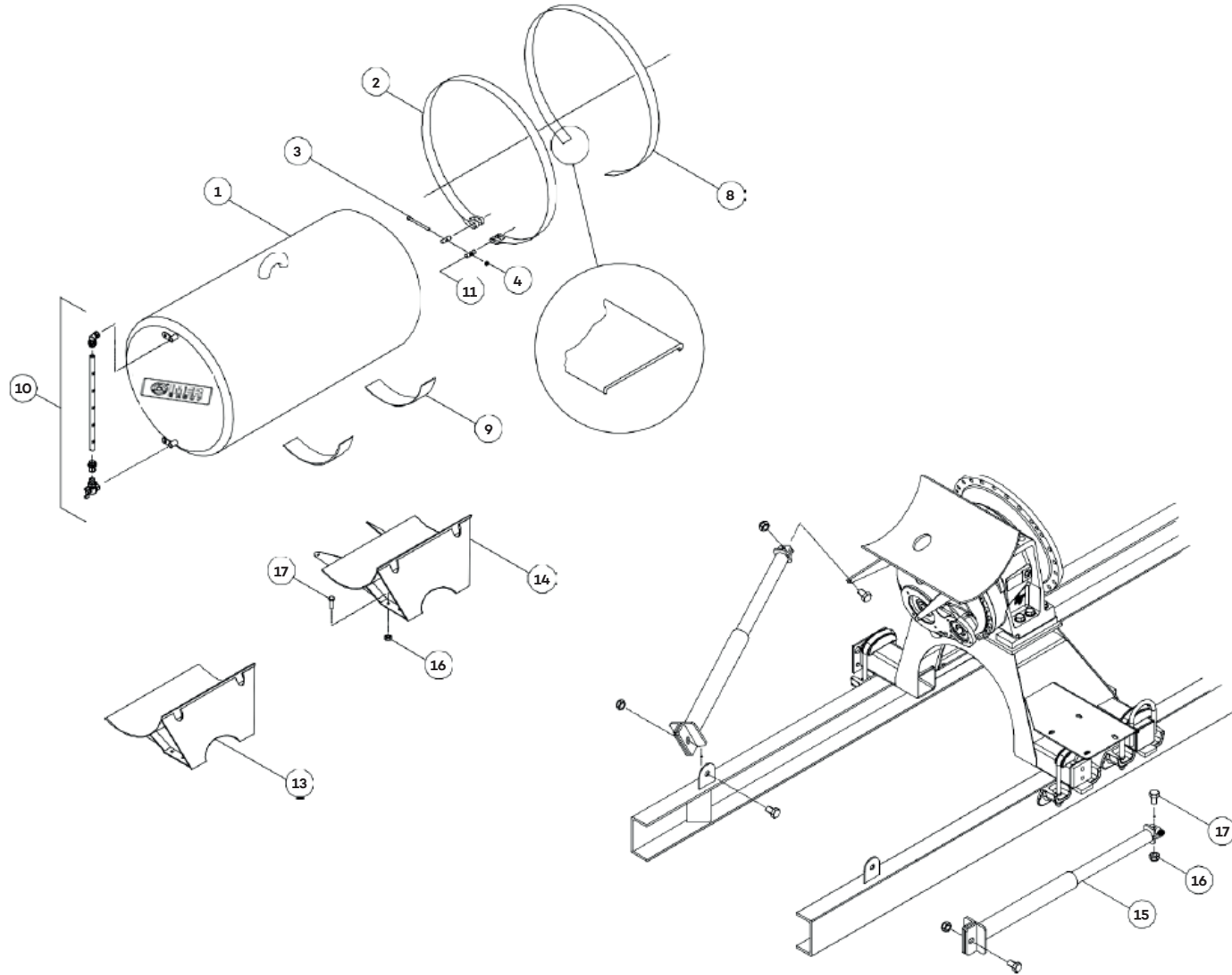


#	Cod.	TR Açıklama	IT Descrizione	GB Description	FR La Description	DE Beschreibung	Note
1	010303280000	1/2 INC YIKAMA FISKIYESİ	RUBINETTO	TAP	ROBINET	HAHN	3/4
2	010702000000	KELEPCE 22-30	FASCETTA	CLAMP	COLLIER	SHELLE	20-30
3	010213000000	SU HORTUMU 19 X 28	TUBO GOMMA	RUBBER HOSE	TUYAU EN CAOUTCHOUC	GUMMISCHLAUCH	Ø 19X28 L=2000
4	010303610000	HIZLI HORTUM BAGLANTI ELEMANI 3/4" - YIKAMA HORTUMU ICIN -	ATTACCO BAIONETTA	HOSE FITTING	SUPPORT TUYAU	GUMMIHALTER	Ø19
5	010303940000	HIZLI BAGLAYICI 3/4"	ATTACCO BAIONETTA	FITTING	RACCORD	ANSCHLUSSSTUECK	3/4
6	010301020300	TOP VALF FF 3/4"	VALVOLA A SFERA	BALL VALVE	SOUPAPE	KUGELVENTIL	3/4"
7	61700500	NIPEL N8 MM 3/4" GAZ UNI 5208-70	NIPPLES	NIPPLE	MAMELON	NIPPEL	3/4
8	010303410000	BAGLANTI ELEMANI 1"1/2 - 1"1/2 - 3/4"	RACCORDO A "T"	TEE UNION	RACCORD EN "T"	ANSCHLUSSSTUECK	1" 1/2 - 1" 1/2-3/4" ZN
9	010301030000	SU TESISATI TAHLIYE ICIN TOP VALF 3/8"	VALVOLA A SFERA	BALL VALVE	SOUPAPE	KUGELVENTIL	M-F 3/8"
10	61700801	NIPEL N8 MM 1" 1/2 GAS UNI 5208-70 GALVANIZLI FIG.280	NIPPLES	NIPPLE	MAMELON	NIPPEL	"1"1/2 ZN"
11	010301010600	TOP VALF 1" 1/2 FF	VALVOLA A SFERA CON SCARICO	BALL VALVE	SOUPAPE	KUGELVENTIL	1" 1/2
12	010303510000	HORTUM BAGLANTI ELEMANI 3/4" X 20	RACCORDO PORTAGOMMA	HOSE FITTING	SUPPORT TUYAU	GUMMIHALTER	3/4X20
13	024210060710	SU HORTUMU 19X28 L=2000 (L300 - YIKAMAYA)	TUBO GOMMA	RUBBER HOSE	TUYAU EN CAOUTCHOUC	GUMMISCHLAUCH	Ø 19X28 L=2000
14	010303190000	2" 85 LIK KURT AGZI	INNESTO RAPIDO	QUICK COUPLING	GREFFE RAPIDE	SCHNELLKUPPLUNG	"2"'''

17 - WATER SYSTEM C30

#	Cod.	TR Açıklama	IT Descrizione	GB Description	FR La Description	DE Beschreibung	Note
15	61801201	NIPEL N8 MM 2"-1"1/2 UNI 5208-7	NIPPLES	NIPPLE	MAMELON	NIPPEL	"RID 2""-1""1/2 ZN"
16	010301010600	TOP VALF 1" 1/2 FF	VALVOLA A SFERA	BALL VALVE	SOUPAPE	KUGELVENTIL	1"1/2"
17	62100700	TE B1 FFF 1"1/2 GAZ UNI 5194-70	TEE	TEE UNION	RACCORD EN "T"	ANSCHLUSSSTUECK	1" 1/2 ZN
18	26750700	SU FILTRESI 1"1/2	FILTRO RACCOLTA (USARE 26750700)	WATER FILTER	FILTRE	FILTER	"11/2""
19	62100700	TE B1 FFF 1"1/2 GAZ UNI 5194-70	NIPPLES	NIPPLE	MAMELON	NIPPEL	"1""1/2 ZN"
20	62151348	BAGLANTI ELEMANI T B1 FFF 1"1/2 X 3/4" X 1"1/2 G	TRE VIE	3 WAY FITTING	RACCORD	ANSCHLUSSSTUECK	"1""1/2 ZN "
21	1600-0024	KELEPCE 63-68 W1 AGIR IS KELEPCESI	FASCETTA	CLAMP	COLLIER	SHELLE	45 - 60
22	024210060500	SU HORTUMU 48X57 L=150	TUBO GOMMA	RUBBER HOSE	TUYAU EN CAOUTCHOUC	GUMMISCHLAUCH	Ø 48X57
23	60900920	DIRSEK A1 FF 1" 1/2 GAS UNI 5194-70 GALVANIZLI FIG.90	GOMITO	ELBOW	COURBE	KNIE	"1""1/2 ZN"
24	010229000000	SU POMPASI BASINC HORTUMU (2 R1 HORTUM) DI=48 DE=63	TUBO GOMMA	RUBBER HOSE	TUYAU EN CAOUTCHOUC	GUMMISCHLAUCH	Ø 48X63
25	010303340000	DISI TAPA 1"1/2 ZN	TAPPO FEMMINA	FEMALE PLUG	BOUCHON FEMME	VERSCHLUSS	"1""1/2 ZN"
26	024210120100	SU HORTUMU 48X63 L=850 (ON TESISAT - SU POMPASI)	TUBO GOMMA	RUBBER HOSE	TUYAU EN CAOUTCHOUC	GUMMISCHLAUCH	Ø 48X63
27	60900920	DIRSEK A1 FF 1" 1/2 GAS UNI 5194-70 GALVANIZLI FIG.90	GOMITO	ELBOW	COURBE	KNIE	A1 FF 1" 1/2 GAS UNI 5194-70
28	0104606013	PVC LEVHA SU TANKI ICIN LOGO	PVC LOGO	PVC LOGO	PVC LOGO	PVC LOGO	

18 - WATER TANK



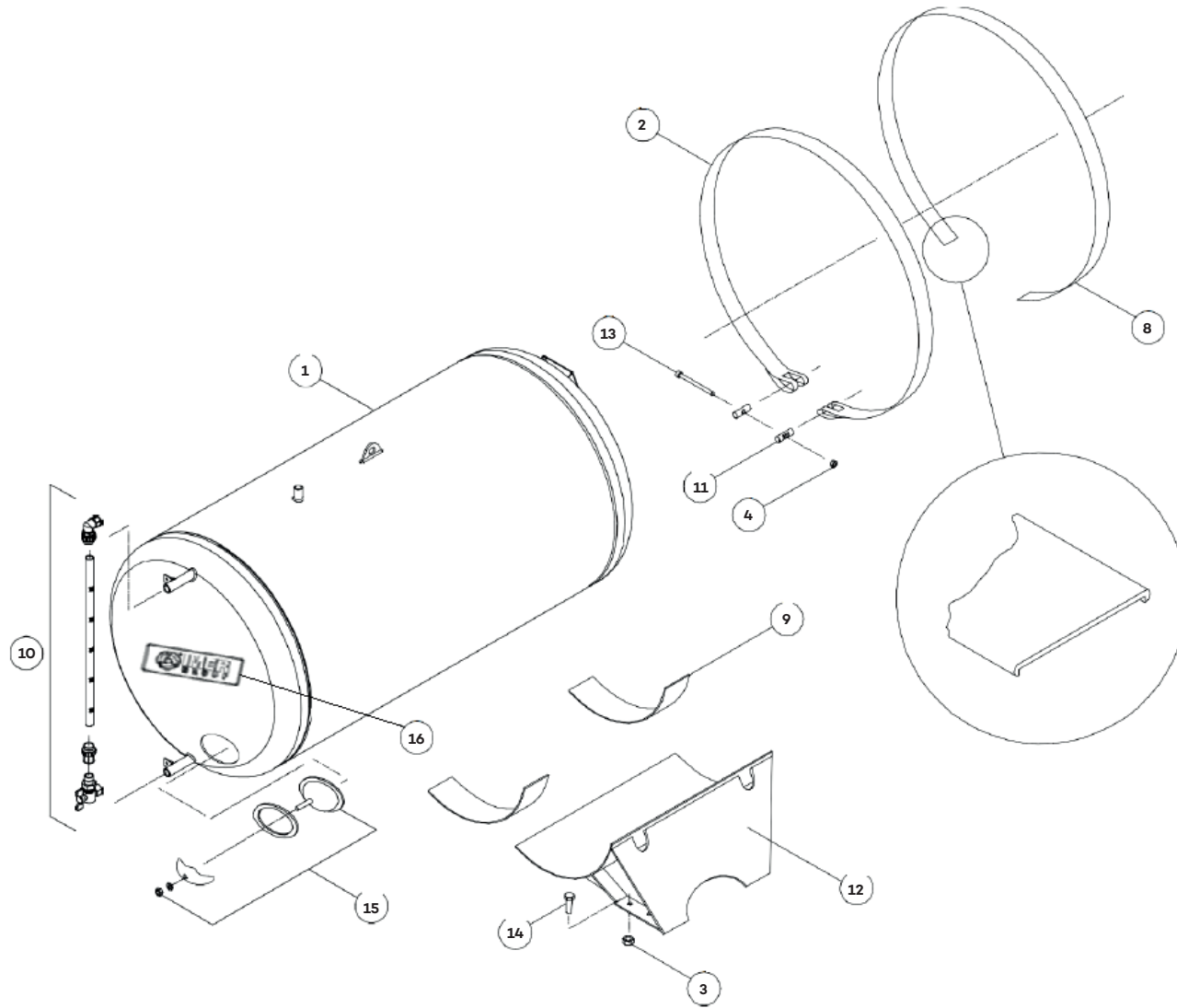
18 - WATER TANK

#	Cod.	TR Açıklama	IT Descrizione	GB Description	FR La Description	DE Beschreibung	Note
1	0302204003	650 LT SU TANKI PLAKALI	SERBATOIO ACQUA – 650 LT	WATER TANK	RESERVOIR D'EAU	WASSERTANK	SERIAL NUMBER
1	0302202002	315 LT SU TANKI PLAKALI	SERBATOIO ACQUA – 315 LT	WATER TANK	RESERVOIR D'EAU	WASSERTANK	SERIAL NUMBER
1	032200190001	200LT SU TANKI D.600 PLAKALI	SERBATOIO ACQUA – 200 LT STEEL	WATER TANK	RESERVOIR D'EAU	WASSERTANK	SERIAL NUMBER
1	0302214003	1000 LT SU TANKI PLAKALI	SERBATOIO ACQUA – 1000 LT	WATER TANK	RESERVOIR D'EAU	WASSERTANK	SERIAL NUMBER
1	030004050000	2000 LT SU TANKI PLAKALI	SERBATOIO ACQUA – 2000 LT	WATER TANK	RESERVOIR D'EAU	WASSERTANK	SERIAL NUMBER
1	032200190000	180LT SU TANKI D.600 PLAKALI	SERBATOIO ACQUA – 180 LT	WATER TANK	RESERVOIR D'EAU	WASSERTANK	SERIAL NUMBER
1	030004060000	PLASTIK SU TANKI 200 LT UV-8	SERBATOIO ACQUA – 200 LT PLASTIC	WATER TANK	RESERVOIR D'EAU	WASSERTANK	SERIAL NUMBER
2	030005010000	SIKILAMA KAYISI D.750	CENTINA SERBATOIO ACQUA D.750 (650-315 LT)	STRAP	TIRANT	ZUGSTAB	SERIAL NUMBER
2	030005100000	SIKILAMA KAYISI D.640	CENTINA SERBATOIO ACQUA D.500 (180-200 LT)	STRAP	TIRANT	ZUGSTAB	SERIAL NUMBER
2	030005030000-1	SU TANKI SIKILAMA KAYISI 1000L	CENTINA SERBATOIO ACQUA D.500 (1000 LT)	STRAP	TIRANT	ZUGSTAB	SERIAL NUMBER
2	040004140000-2000	SU TANKI TAKIMI 2000 LT	CENTINA SERBATOIO ACQUA D.500 (2000 LT)	STRAP	TIRANT	ZUGSTAB	SERIAL NUMBER
3	010104122200	CIVATA M12 X 120 IMBUS L=80 UNI 5931	VITE	SCREW	VIS	SCHRAUBE	M 12X120 UNI 5931
4	010131120100	SOMUN M12 KILITLI 8.8 KALITE UNI 7473 ZN 6S	DADO ESAGONALE NORMALE	NUT	ÉCROU	MUTTER	M12 UNI 5588-65 6 S
8	022210040500	SU TANK DESTEK KAUCUGU L=2140 65 X 2	GOMMA (1000 LT)	RUBBER HOSE	CAOUTCHOUC	GUMMI	65X2 PVC

18 - WATER TANK

#	Cod.	TR Açıklama	IT Descrizione	GB Description	FR La Description	DE Beschreibung	Note
8	022210040300	SU TANK KAUCUGU L=1850 65X2	GOMMA (650 LT-315 LT)	RUBBER HOSE	CAOUTCHOUC	GUMMI	65X2 PVC
9	022210040600	SU TANK DESTEK KAUCUGU L=700 50X5	GOMMA (1000 LT)	RUBBER HOSE	CAOUTCHOUC	GUMMI	50X5
9	022210040400	SU TANK DESTEK KAUCUGU L=480 50X5	GOMMA (650 LT-315 LT)	RUBBER HOSE	CAOUTCHOUC	GUMMI	50X5
10	0402230002	SU SEVIYE GOSTERGE BORU SETI 315 LT	ASSIEME ASTA LIVELLO 315 LT	LEVEL PIPE KIT	GROUP TUYAU DE NIVEAU	NIVEAU ROHR	SERIAL NUMBER
10	060004030104	SU SEVIYE GOSTERGE BORU SETI	ASSIEME ASTA LIVELLO 650 LT	LEVEL PIPE KIT	GROUP TUYAU DE NIVEAU	NIVEAU ROHR	SERIAL NUMBER
10	040004030201	YENI TIP 1000LT SU SEVIYE GOSTERGE SETI	ASSIEME ASTA LIVELLO 1000 LT	LEVEL PIPE KIT	GROUP TUYAU DE NIVEAU	NIVEAU ROHR	SERIAL NUMBER
11	020005010200	SIKILAMA KAYISI ICIN PIN (=IGNE) D20 L=50 FEZN8C1A	PERNO CENTINA	PIN	AXE	SCHWENKBOLZEN	
13	030003170000	SU TANKI DESTEĞI 1000 LT	SELLA (1000 LT)	WATER TANK SUPPORT	SUPPORTE	HALTER	SERIAL NUMBER
13	030003010000	SU TANKI DESTEĞI D750	SELLA (650 LT)	WATER TANK SUPPORT	SUPPORTE	HALTER	SERIAL NUMBER
13	0302003001	SU TANKI DESTEĞI 315 LT ICIN	SELLA (315 LT)	WATER TANK SUPPORT	SUPPORTE	HALTER	SERIAL NUMBER
15	030003020100	SU TANKI KONSUL DAYAMASI D60X1300	SPINTA SELLA(2000 LT)	TANK SUPPORT BRACE	SUPPORT	HALTER	Ø 60X550
15	030003020400	SU TANKI DESTEĞI DESTEK BORUSU (1000LT)	SPINTA SELLA(1000 LT)	TANK SUPPORT BRACE	SUPPORT	HALTER	Ø 60X1070
16	010131200000	SOMUN M20 KILITLI 8.8 KALITE DIN 980	DADO	NUT	ECROU	MUTTER	ATB M20 DIN 980
17	010101201200	CIVATA M20 X 60 (DBL) 8.8 KALITE UNI 5739	VITE	SCREW	VIS	SCHRAUBE	M20X60 UNI 5739

19 - PRESSURIZED WATER TANK



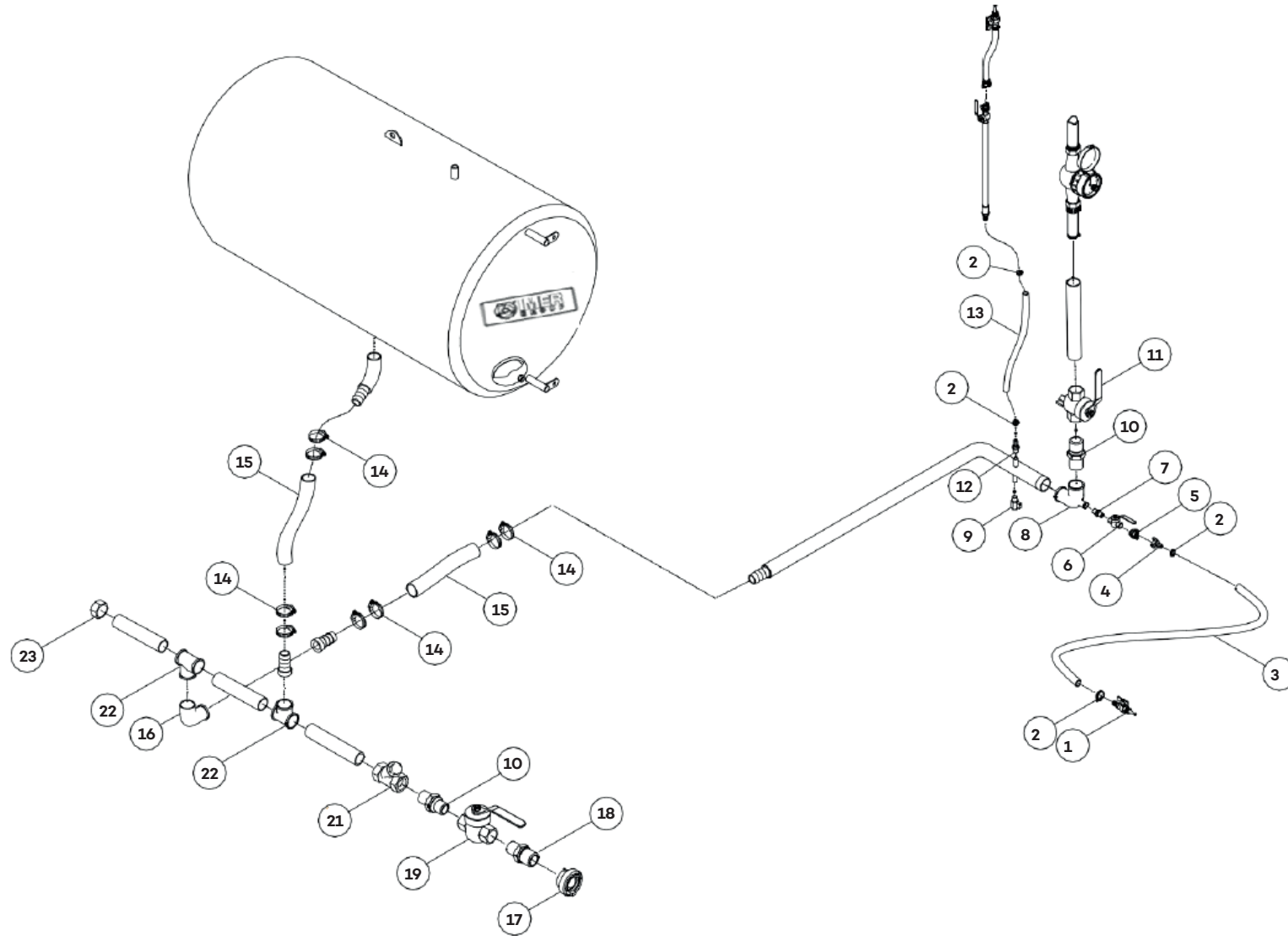
19 - PRESSURIZED WATER TANK

		TR	IT	GB	FR	DE	
#	Cod.	Açıklama	Descrizione	Description	La Description	Beschreibung	Note
1	0302209003	650 LT BASINCLI SU TANKI PLAKALI	SERBATOIO ACQUA PRESURIZ.(650 LT)	PRESSURIZED WATER TANK	RESERVOIR D'EAU PRESSURISE	DRUCKWASSERTANK	SERIAL NUMBER
1	0302214003-1	1000 LT BASINCLI SU TANKI PLAKALI	SERBATOIO ACQUA PRESURIZ.(1000 LT)	PRESSURIZED WATER TANK	RESERVOIR D'EAU PRESSURISE	DRUCKWASSERTANK	SERIAL NUMBER
1	0302209005	400 LT BASINCLI SU TANKI PLAKALI	SERBATOIO ACQUA PRESURIZ.(400 LT)	PRESSURIZED WATER TANK	RESERVOIR D'EAU PRESSURISE	DRUCKWASSERTANK	SERIAL NUMBER
2	030005010000	SIKILAMA KAYISI D.750	CENTINA SERBATOIO ACQUA (400 – 650 LT)	STRAP	TIRANT	ZUGSTAB	SERIAL NUMBER
2	030005021000	SU TANKI SIKILAMA KAYISI D850 (1000 LT BASINCLI ICIN)	CENTINA SERBATOIO ACQUA (D.850-1000 LT)	STRAP	TIRANT	ZUGSTAB	SERIAL NUMBER
3	0503-0006	SOMUN M20 FIBERLI 8.8 KALITE	DADO	NUT	ECROU	MUTTER	ATB M20 DIN 980
4	18602021	SOMUN M12 DUSUK HEXAGONAL UNI 5588-65 6S FEZN8CIA	DADO	NUT	ECROU	MUTTER	UNI 5588 M 12
8	022210040300	SU TANK KAUCUGU L=1850 65X2	GOMMA (400 LT-650 LT)	RUBBER HOSE	CAOUTCHOUC	GUMMI	65X2 PVC
8	022210040500	SU TANK DESTEK KAUCUGU L=2140 65 X 2	GOMMA (1000 LT)	RUBBER HOSE	CAOUTCHOUC	GUMMI	65X2 PVC
9	022210040400	SU TANK DESTEK KAUCUGU L=480 50X5	GOMMA(400 LT)	RUBBER HOSE	CAOUTCHOUC	GUMMI	50X5
9	022210040600	SU TANK DESTEK KAUCUGU L=700 50X5	GOMMA(1000 LT)	RUBBER HOSE	CAOUTCHOUC	GUMMI	50X5

19 - PRESSURIZED WATER TANK

#	Cod.	TR Açıklama	IT Descrizione	GB Description	FR La Description	DE Beschreibung	Note
10	040004030201	YENI TIP 1000LT SU SEVIYE GOSTERGE SETI	ASSIEME ASTA LIVELLO (1000 LT)	LEVEL PIPE KIT	GROUP TUYAU DE NIVEAU	NIVEAU ROHR	SERIAL NUMBER
10	060004030104	SU SEVIYE GOSTERGE BORU SETI	ASSIEME ASTA LIVELLO (650 LT)	LEVEL PIPE KIT	GROUP TUYAU DE NIVEAU	NIVEAU ROHR	SERIAL NUMBER
10	040004030106	SU SEVIYE GOSTERGE BORU SETI 400 LT	ASSIEME ASTA LIVELLO (400 LT)	LEVEL PIPE KIT	GROUP TUYAU DE NIVEAU	NIVEAU ROHR	SERIAL NUMBER
11	020005010200	SIKILAMA KAYISI ICIN PIN (=IGNE) D.20 L=50 FEZN8C1A	PERNO CENTINA	PIN	AXE	SCHWENKBOLZEN	
12	030003010000	SU TANKI DESTEĞI D750	SELLA (400-650 LT)	WATER TANK SUPPORT	SUPPORTE	HALTER	SERIAL NUMBER
12	022210040600	SU TANK DESTEK KAUCUGU L=700 50X5	SELLA (1000 LT)	WATER TANK SUPPORT	SUPPORTE	HALTER	SERIAL NUMBER
13	010104122200	CIVATA M12 X 120 IMBUS L=80 UNI 5931	VITE	SCREW	VIS	SCHRAUBE	M 12X120 UNI 5931
14	95007200	CIVATA M20 X 70 (DBL) 8.8 KALITE UNI 5739-65 TE TF FEZN8C1A	VITE	SCREW	VIS	SCHRAUBE	M20 X 70 UNI 5739 ZN
15	020004120800	BASINCLI SU TANKI GOZETLEME DELIGI BOME USTUNDE	OBLO' D' ISPEZIONE	INSPECTION HOLE	HUBLOT	BULLAUGE	
16	0104606013	PVC LEVHA SU TANKI ICIN LOGO	PVC LOGO	PVC LOGO	PVC LOGO	PVC LOGO	0104606013

20 - PRESSURIZED WATER SYSTEM



20 - PRESSURIZED WATER SYSTEM

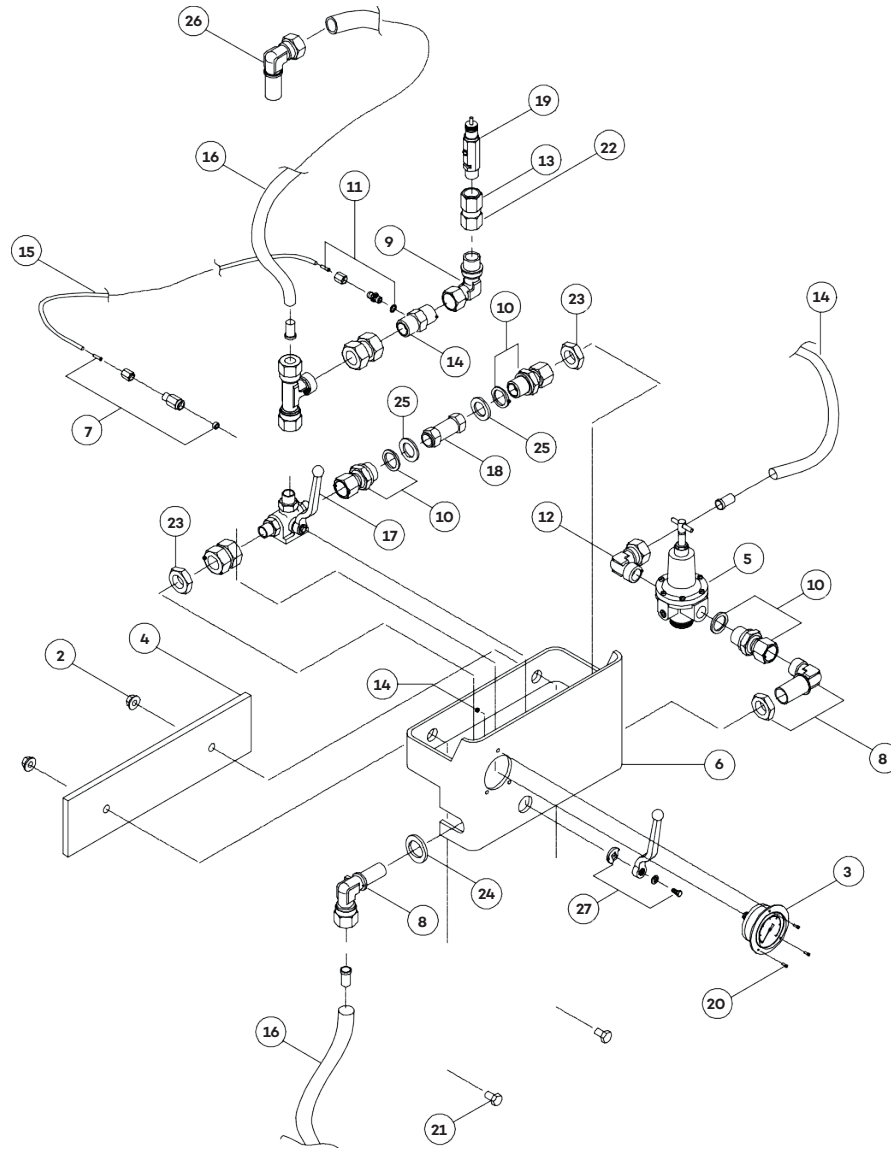


#	Cod.	TR Açıklama	IT Descrizione	GB Description	FR La Description	DE Beschreibung	Note
1	010303280000	1/2 INC YIKAMA FISKIYESİ	RUBINETTO	TAP	ROBINET	HAHN	3/4
2	010702000000	KELEPCE 22-30	FASCETTA	CLAMP	COLLIER	SHELLE	20-30
3	010213000000	SU HORTUMU 19 X 28	TUBO GOMMA	RUBBER HOSE	TUYAU EN CAOUTCHOUC	GUMMISCHLAUCH	Ø 19X28 L=2000
4	010303610000	HIZLI HORTUM BAGLANTI ELEMANI 3/4" - YIKAMA HORTUMU ICIN -	ATTACCO BAIONETTA	HOSE FITTING	SUPPORT TUYAU	GUMMIHALTER	Ø19
5	010303940000	HIZLI BAGLAYICI 3/4"	ATTACCO BAIONETTA	FITTING	RACCORD	ANSCHLUSSSTUECK	3/4
6	010301020300	TOP VALF FF 3/4"	VALVOLA A SFERA	BALL VALVE	SOUPAPE	KUGELVENTIL	3/4"
7	61700500	NIPEL N8 MM 3/4" GAZ UNI 5208-70	NIPPLES	NIPPLE	MAMELON	NIPPEL	3/4
8	010303410000	BAGLANTI ELEMANI 1"1/2 - 1"1/2 - 3/4"	RACCORDO A "T"	TEE UNION	RACCORD EN "T"	ANSCHLUSSSTUECK	1" 1/2 - 1" 1/2-3/4" ZN
9	010301030000	SU TESISATI TAHLIYE ICIN TOP VALF 3/8"	VALVOLA A SFERA	BALL VALVE	SOUPAPE	KUGELVENTIL	M-F 3/8"
10	61700801	NIPEL N8 MM 1" 1/2 GAS UNI 5208-70 GALVANIZLI FIG.280	NIPPLES	NIPPLE	MAMELON	NIPPEL	"1"1/2 ZN"
11	010301010600	TOP VALF 1" 1/2 FF	VALVOLA A SFERA CON SCARICO	BALL VALVE	SOUPAPE	KUGELVENTIL	1" 1/2

20 - PRESSURIZED WATER SYSTEM

#	Cod.	TR Açıklama	IT Descrizione	GB Description	FR La Description	DE Beschreibung	Note
12	010303510000	HORTUM BAGLANTI ELEMANI 3/4" X 20	RACCORDO PORTAGOMMA	HOSE FITTING	SUPPORT TUYAU	GUMMIHALTER	3/4X20
13	010213000000	SU HORTUMU 19 X 28	TUBO GOMMA	RUBBER HOSE	TUYAU EN CAOUTCHOUC	GUMMISCHLAUCH	Ø 19X28 L=2000
14	1600-0008	HORTUM KELEPCESI AGIR 59-63	FASCETTA	CLAMP	COLLIER	SHELLE	59-63
15	010229000000	SU POMPASI BASINC HORTUMU (2 R1 HORTUM) DI=48 DE=63	TUBO GOMMA	RUBBER HOSE	TUYAU EN CAOUTCHOUC	GUMMISCHLAUCH	Ø 48X63
16	010303182300	45° 1"1/2 DIRSEK DEVE BOYNU	GOMITO	ELBOW	COURBE	KNIE	"1"1/2 ZN"
17	010303190000	2" 85 LIK KURT AGZI	INNESTO RAPIDO	QUICK COUPLING	GREFFE RAPIDE	SCHNELLKUPPLUNG	"2"1/2"
18	61801201	NIPEL N8 MM 2"-1"1/2 UNI 5208-7	NIPPO RIDOTTO N8	NIPPLE	RACCORD	NIPPEL	MM 2"-1"1/2 UNI 5208-70
19	010301010600	TOP VALF 1" 1/2 FF	VALVOLA A SFERA	BALL VALVE	SOUPAPE	KUGELVENTIL	1" 1/2
21	26750700	SU FİLTRESİ 1"1/2	FİLTRO ACQUA	WATER FILTER	FILTRE EAU	WASSERFILTER	1"1/2 A Y INOX FIG. 36
22	62100700	TE B1 FFF 1"1/2 GAZ UNI 5194-70	RACCORDO A "T"	TEE UNION	RACCORD EN "T"	ANSCHLUSSSTUECK	
23	010303340000	DISİ TAPA 1"1/2 ZN	TAPPO FEMMINA	FEMALE PLUG	BOUCHON FEMME	VERSCHLUSS	"1"1/2 ZN"

21 - PRESSURIZED SYSTEM



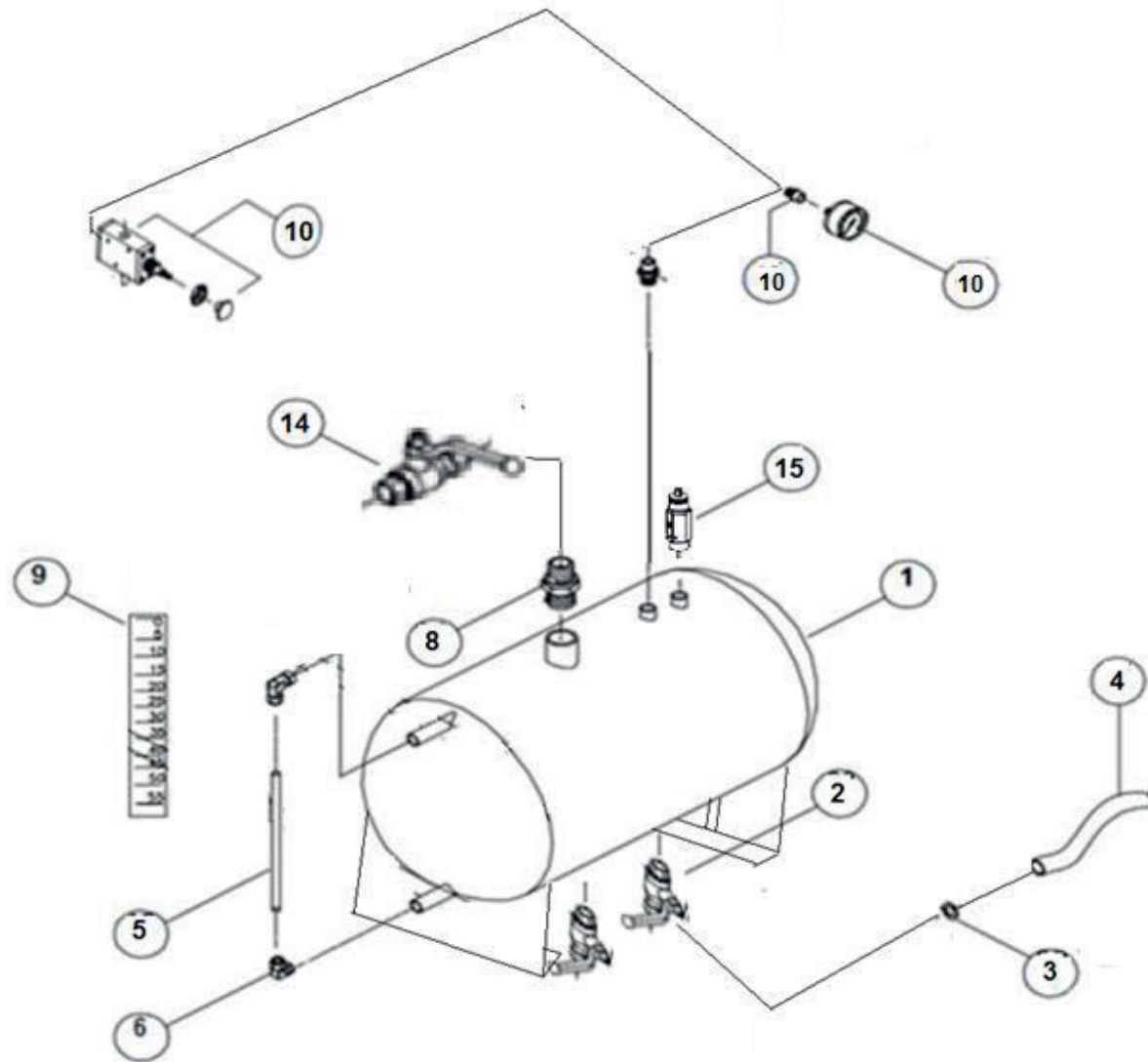
21 - PRESSURIZED SYSTEM

#	Cod.	TR Açıklama	IT Descrizione	GB Description	FR La Description	DE Beschreibung	Note
1	010116030000	SOMUN ES CLASSE 8 UNI 5588 M 3 ZN BASINC REGULATORU PNOMATIK SISTEM ICIN	DADO	NUT	ECROU	MUTTER	ES CLASSE 8 UNI 5588 M 3 ZN
2	010119080000	SOMUN M8 FLANSLI (DBL) DIN 6923 ZN	DADO FLANGIATO	FLANGED NUT	ECROU FLASQUE'	FLANSCHMUTTER	DIN 6923 M8 ZN
3	010304040000	MANOMETRE D63 4/12 BAR PNOMATIK SISTEM ICIN	MANOMETRO	MANOMETER	MANOMÈTRE	DRUCKMESSER	D63 4/12 BAR
4	020022010200	PNOMATIK SISTEM BUKUMLU AYAGI BAGLANTI PLAKASI 70X8 L= 312	PIATTO SUPPORTO STAFFA	SUPPORT PLATE	PLAQUE DE SUPPORT	HALTERPLATTE	70X8 L= 312
5	011002010000	BASINC REGULATORU PNOMATIK SISTEM ICIN VALFLI 1/2" 0,3-10 BAR 527663 011MS6-LR-1/2-D7A4OS	RIDUTTORE DI PRESSIONE	PRESSURE REDUCER	REDUCTEUR DE PRESSION	DRUCKREDUZIERER	20AG-X4
6	040022030010	BASINCLI SU TANKI ICIN PNOMATIK SISTEM	STAFFA IMPIANTO PRESSURIZZATO	BRACKET	SUPPORT	SPANNEISEN	
7	015501420000	PNOMATIK SISTEM MANOMETRE KONNEKTORU TN103-6L 573350	CONNETTORE P/ MANOMETRO ORIENT.	FITTING FOR MANOMETER	UNION MANOMETRE	MANOMETERANSCHLUSS	TN103-6L 573350
8	015501370000	RAKOR TN 118 15L PNOMATIK SISTEM ICIN	RACCORDO DI ATTRAVERS. GOMITO	ELBOW	UNION SIMPLE COUDE	EINSCHRAUBVERSCHRAUBUNG	TN118-15L
9	015501350000	RAKOR TN 119 15L PNOMATIK SISTEM ICIN	RACCORDO ORIENTABILE GOMITO	ANGULAR ROTARY FITTING	COUDE ORIENTABLE EXECUTION	DREHBARE WINKEL-ANSCHLUSSST.	TN119-15L
10	015501360000	DONER SOMUNLU RAKOR TN126GG-15LR PNOMATIK SISTEM ICIN	RACCORDO DIRITTO PER COMBINAZIONI	MALE STUD FITTING	UNION SIMPLE MALE	GERADE EINSCHRAUBVERSCHRAUB.	TN126GG-15LR
11	015501340000	RAKOR TN92GG-6LM PNOMATIK SISTEM ICIN	RACCORDO ESTR DIRITTO OR	MALE STUD FITTING	UNION SIMPLE MALE	GERADE EINSCHRAUBVERSCHRAUB.	TN92GG-6LM
12	015501320000	DIRSEK RAKOR TN94-12LR 1/2" PNOMATIK SISTEM ICIN	RACCORDO ESTREMITA' GOMITO	ELBOW END FITTING	UNION SIMPLE COUDE	EINSCHRAUBVERSCHRAUBUNG	"TN94-12LR 1/2"" "
13	015501410000	BAGLANTI ELEMANI TN 94 - 15LR 1/2	RACCORDO ESTREMITA' GOMITO	ELBOW END FITTING	UNION SIMPLE COUDE	EINSCHRAUBVERSCHRAUBUNG	TN94-15LR

21 - PRESSURIZED SYSTEM

#	Cod.	TR Açıklama	IT Descrizione	GB Description	FR La Description	DE Beschreibung	Note
14	015501400000	BAGLANTI ELEMANI TN98K-15L	RACCORDO INTERMEDIO DIRITTO	STRAIT COUPLINGS	UNION DOUBLE	GERADE VERSCHRAUBUNG	TN98K-15L
15	86800600	SEFFAF HORTUM 06/4 mm PNOMATİK SİSTEM İCİN	TUBO RILSAN	RILSAN PIPE	TUYAU RILSAN	RILSAN ROHR	06/4
16	86801500	SEFFAF HORTUM 15/12 mm PNOMATİK SİSTEM İCİN	TUBO RILSAN	RILSAN PIPE	TUYAU RILSAN	RILSAN ROHR	15/12
17	010301010500	1/2" TOP VALF 3 YOLLU	VALVOLA A SFERA 3 VIE	BALL VALVE	SOUPAPE	KUGELVENTIL	
18	010301210000	1/2" TOP VALF 132 6062 3 YOLLU PNOMATİK SİSTEM İCİN	VALVOLA DI NON RITORNO 1/2" 132 6062	NON RETURN VALVE	SOUPAPE DE RETENUE	RUCKSCHLAGVENTIL	"1/2""
19	010301050100	GUVENLIK VALFI 1/2" 4,5 BAR	VALVOLA DI SICUREZZA	SAFETY VALVE	SOUPAPE DE SECURITE'	SICHERHEITSVENTILS	1/2"
21	95001851	CIVATA M8 X 30 8.8 KALITE UNI 5739-65 TE TF FEZN8C1A	VITE	SCREW	VIS	SCHRAUBE	M8 X 30 UNI 5739-65
22	010131080000	SOMUN M8 KILITLI 8.8 KALITE DIN 980 ZN	DADO DI SERRAGGIO	LOCKING NUT	ÉCROU	MUTTER	
23	010116220200	SOMUN M22 UNI 5587 PNOMATİK SİSTEM İCİN	DADO	NUT	ÉCROU	MUTTER	UNI 5587M22
24	68701600	PUL 23 X 39 UNI 6592-69 R40 FEZN8C1A	ROSETTA BISELLATA	WASHER	RONDELLE	DECKEL	23 X 39 UNI 6592-69 R40
25	68701600	PUL 23 X 39 UNI 6592-69 R40 FEZN8C1A	ROSETTA RAME	WASHER	RONDELLE	DECKEL	1/2
26	015501410000	BAGLANTI ELEMANI TN 94 - 15LR 1/2	RACCORDO ESTREMITA' GOMITO	ELBOW END FITTING	UNION SIMPLE COUDE	EINSCHRAUBVERSCHRAUBUNG	TN94-15LR
27	010303270100	PNOMATİK SİSTEM İCİN İMER LOGOLU AÇMA KAPAMA VANASI	MANIGLIA PER VALVOLA A SFERA 3 VIE	HANDLE	POIGNEE	HANDGRIFF	

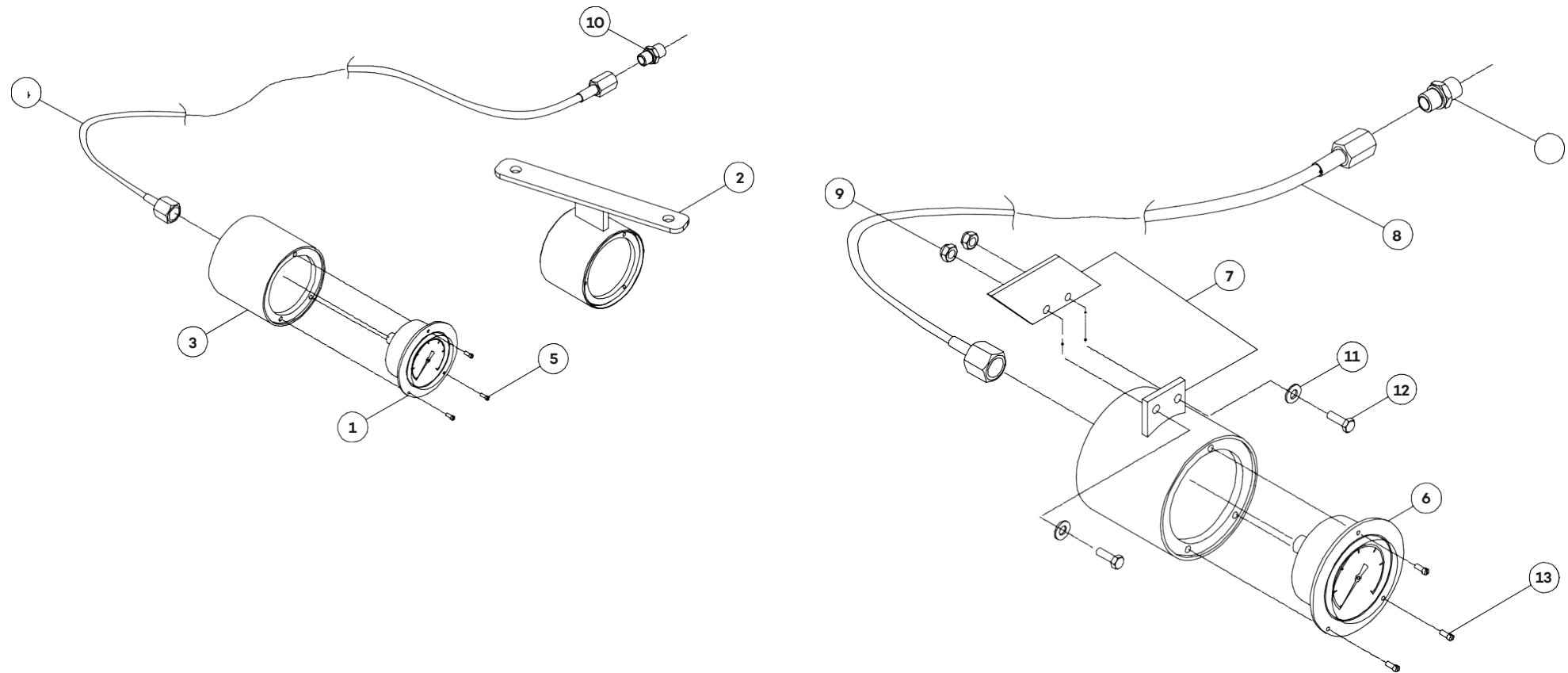
22 - TANK FOR ADDITIVES



22 - TANK FOR ADDITIVES

#	Cod.	TR Açıklama	IT Descrizione	GB Description	FR La Description	DE Beschreibung	Note
1	1120-0004	KATKI TANKI 40 LT	SERBATOIO PRESSUR. X ADDITIVO 40 LT	PRESSURIZED TANK	RESERVOIR PRESSURISE'	ZUSATZMITTELTANK	
1	1120-0005	KATKI TANKI 25 LT	SERBATOIO PRESSUR. X ADDITIVO 25 LT	PRESSURIZED TANK	RESERVOIR PRESSURISE'	ZUSATZMITTELTANK	
1	1120-0006	KATKI TANKI 20 LT	SERBATOIO PRESSUR. X ADDITIVO 20 LT	PRESSURIZED TANK	RESERVOIR PRESSURISE'	ZUSATZMITTELTANK	
1	1120-0009	KATKI TANKI 15 LT	SERBATOIO PRESSUR. X ADDITIVO 15 LT	PRESSURIZED TANK	RESERVOIR PRESSURISE'	ZUSATZMITTELTANK	
2	010301020301	KELEBEK VALF ERKEK FF 3/4"	VALVOLA A SFERA	BALL VALVE	SOUPAPE	KUGELVENTIL	
3	010702000000	KELEPCE 22-30	FASCETTA	CLAMP	COLLIER	SCHELLE	22-30
4	010213000000	SU HORTUMU 19 X 28	TUBO	PIPE	TUYAU	ROHR	
5	1510-0035	POLYEMIT HORTUM 10 MM	TUBO RILSAN	RILSAN PIPE	TUYAU RILSAN	RILSAN ROHR	10 MM
6	1800-0109	1/4" 10 DIRSEK	GOMITO	ELBOW	COURBE	KNIE	
8	61700801	NIPEL N8 MM 1" 1/2 GAS UNI 5208-70 GALVANIZLI FIG.280	NIPPOLO	NIPPLE	MAMELON	NIPPEL	1 1/2"
9	012065017700	KATKI TANKI SEVIYE ETIKETI 40 LT	SCALA GRADUATA (40 LT)	GRADUATED SCALE	ECHELLE GRADUE'	MESSSKALA	40LT
9	012065017700-2	KATKI TANKI SEVIYE ETIKETI 20 LT	SCALA GRADUATA (20 LT)	GRADUATED SCALE	ECHELLE GRADUE'	MESSSKALA	20LT
10	1120-0002	KATKI TANKI PNOMATIK SISTEMI	REGOLATORE PRESSIONE	PRESSURE VALVE	REGULATEUR DE PRESSION	DRUCKREGLER	MANOMETRE & PNOMATIK SISTEM
14	010301010600	TOP VALF 1" 1/2 FF	VALVOLA A SFERA	BALL VALVE	SOUPAPE	KUGELVENTIL	"1 1/2""
15	010301050100	GUVENLIK VALFI 1/2" 4,5 BAR	VALVOLA DI SICUREZZA	SAFETY VALVE	SOUPAPE DE SECURITE'	SICHERHEITSVENTIL	

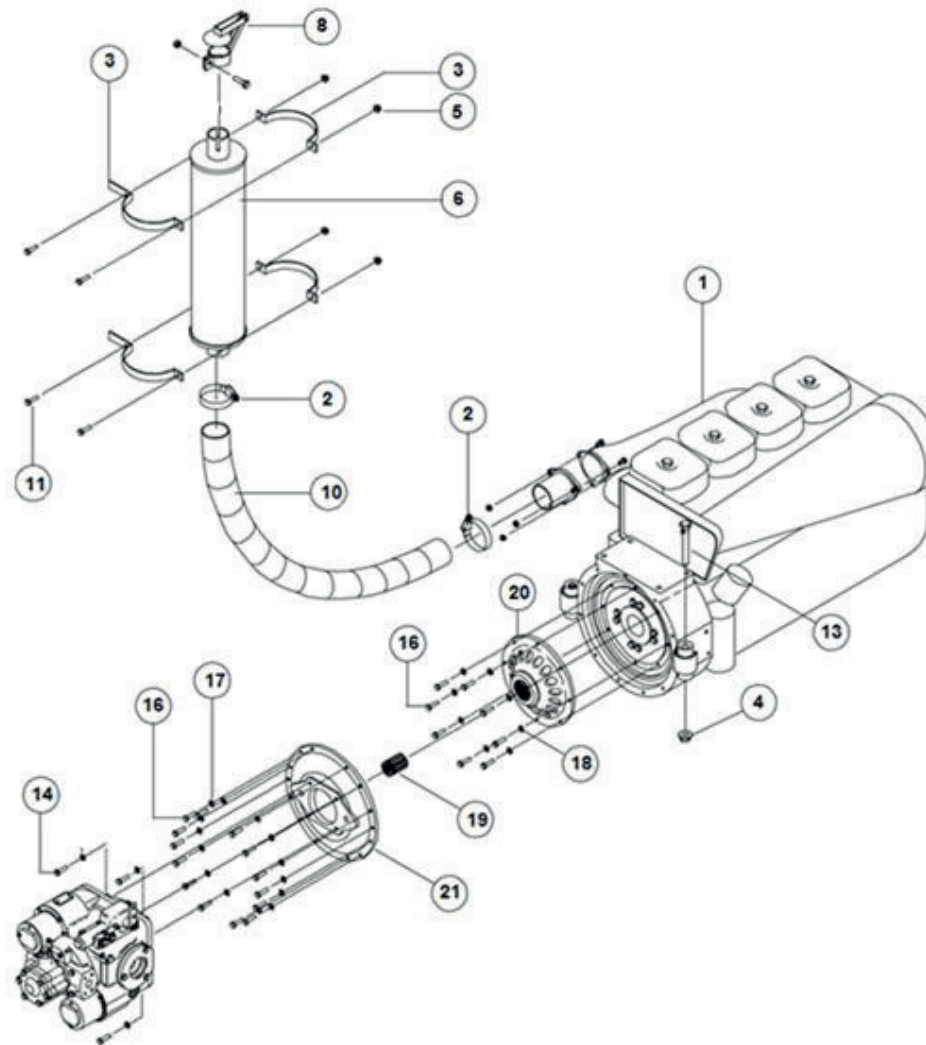
23- HIGH PRESSURE GAUGES



23 - HIGH PRESSURE GAUGES

#	Cod.	TR Açıklama	IT Descrizione	GB Description	FR La Description	DE Beschreibung	Note
1	010304020100	MANOMETRE GLISERINLI 400 BAR	MANOMETRO 400 BAR	HIGH PRESSURE MANOMETER	MANOMETRE	MANOMETER	400 BAR
2	030024020000	MANOMETRE DESTEK GRUBU YAG SOGUTUCU ALTINDA De 889 Di 809	STAFFA N° 22 SUPP. MANOMETRO PIC. ANT.	BRACKET	SUPPORT	HALTERUNG	
3	030024020201	MANOMETRE DESTEĞI De 889 Di 809	SUPPORTO MANOMETRO PICCOLO	SUPPORT	SUPPORTE	HALTER	
4	010207040100	MANOMETRE KABLOSU 1/4" L=8000 GLISERINLI ICIN	TUBO FLESSIBILE RACCORDATO	PRE-CONNECTED FLEXIBLE HOSE	TUYAU FLEXIBLE	SCHLAEUICHE	1/4 L=8000
5	94801450	CIVATA M4 X 12 TC C/OYMA UNI 6107-67 INOX A2 DIN 267	VITE	SCREW	VIS	SCHRAUBE	M 3X12 UNI 6107 ZN
6	010304080000	MANOMETRE D100 400 BAR	MANOMETRO	MANOMETER	MANOMETRE	DRUCKMESSER	D100 FS 400 bar
7	030024050000	MANOMETRE DESTEĞI D100 ICIN	SUPPORTO MANOMETRO GRANDE	BRACKET	SUPPORT	HALTERUNG	
8	010207050000	YAG BASINC MANOMETRE KABLOSU 1/2" L=8500	TUBO FLESSIBILE RACCORDATO	PRE-CONNECTED FLEXIBLE HOSE	TUYAU FLEXIBLE	SCHLAEUICHE	1/2 L=8500
9	010131080000	SOMUN M8 KILITLI 8.8 KALITE DIN 980 ZN	DADO	NUT	ÉCROU	MUTTER	ATB DIN 980 M 8
11	68700901	PUL 8.4 X 16 YIVLI UNI 6592-69 R40 FEZN8CIA 010121780000	ROSETTA BISELLATA	WASHER	RONDELLE	DECKEL	8,4 X 16 UNI 6592-69
12	95001701	CIVATA M8 X 25 (DBL) 8.8 KALITE UNI 5739-65 TE TF FEZN8C1A	VITE	SCREW	VIS	SCHRAUBE	M8 X 25 UNI 5739-65
13	94801450	CIVATA M4 X 12 TC C/OYMA UNI 6107-67 INOX A2 DIN 267	VITE	SCREW	VIS	SCHRAUBE	M4X12 UNI6107-67

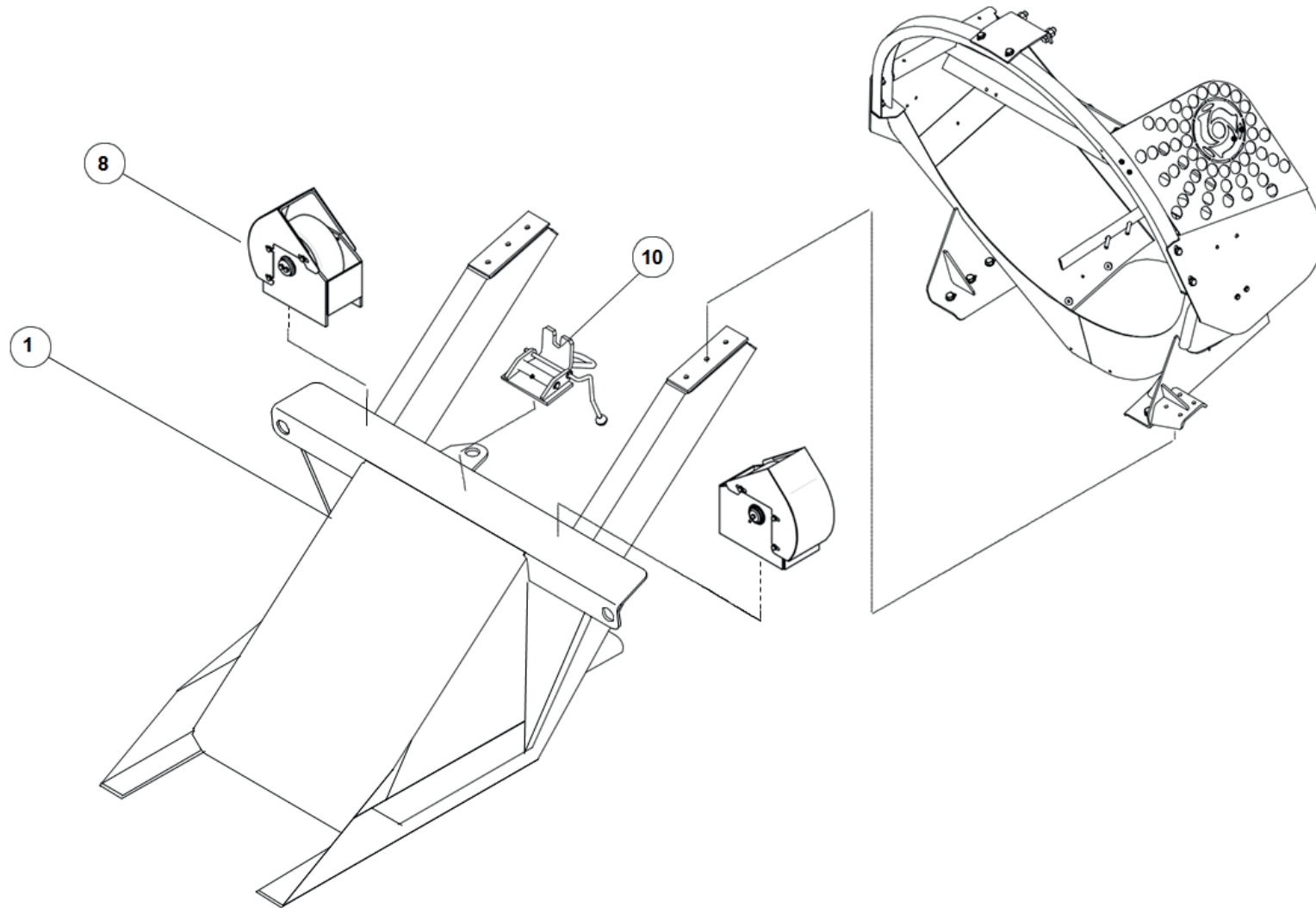
24- AUXILIARY ENGINE



24- AUXILIARY ENGINE

#	Cod.	TR Açıklama	IT Descrizione	GB Description	FR La Description	DE Beschreibung	Note
1	041400010000	İLAVE MOTOR	MOTORE AUSILIARIO	AUXILIARY ENGINE	MOTEUR AUXILIAIRE	HILFSMOTOR	SERIAL NUMBER
2	24701130	KELEPCE D=74-79	COLLARE	HOSE RING	COLLIER	SCHELLE	74-79
3	025002010100	İLAVE MOTOR ICIN SOL EGSOZ KELEPCESI D160	COLLARI PER MARMITTA	COLLAR	COLLIER	SCHELLE	
4	010119120000	SOMUN M12 FLANSLI (DBL) DIN 6923 ZN	DADO FLANGIATO	FLANGED NUT	ECROU FLASQUE'	FLANSCHMUTTER	DIN 6923 M 12 ZN
5	010119080000	SOMUN M8 FLANSLI (DBL) DIN 6923 ZN	DADO FLANGIATO	FLANGED NUT	ECROU FLASQUE'	FLANSCHMUTTER	DIN 6923 M8 ZN
6	035002010055	İLAVE MOTOR EGSOZ BORUSU 90 DERECE BUKUMLU D=70 L=80	MARMITTA PER MOTORE DEUTZ	SILENCER	POT	KESSEL	
8	015002010400	İLAVE MOTOR EGSOZ BORUSU ICIN YAGMUR KORUMASI D=65	PARAPIOGGIA MARMITTA	COVER FOR SILENCER	COUVERCLE POUR POT	DECKEL FUER KESSEL	Ø60
10	010211000000	SPIRAL EGSOZ BORUSU İLAVE MOTOR ICIN D70	TUBO MARMITTA PER MOTORI DEUTZ	SILENCER HOSE	TUYAU POT	SCHLAEUCHEKESSEL	Ø70
11	95001851	CIVATA M8 X 30 8.8 KALITE UNI 5739-65 TE TF FEZN8C1A	VITE	SCREW	VIS	SCHRAUBE	8X30 UNI 5739 ZN
13	95203575	CIVATA M12 X 120 8.8 KALITE UNI 5737 TE FP FEZN8C1A	VITE	SCREW	VIS	SCHRAUBE	12X120 UNI 5739 ZN
14	95003251	CIVATA M10 X 40 8.8 KALITE UNI 5739-65 TE TF FEZN8C1A	VITE	SCREW	VIS	SCHRAUBE	M 10X40 UNI 5739 ZN
16	010101100500	CIVATA M10 X 30 10.9 KALITE UNI 5739 TE TF	VITE	SCREW	VIS	SCHRAUBE	M 10X30 UNI 5739 ZN
17	69300791	PUL 10.5 YARIKLI UNI 1751 C72 FEZN8CIA	ROSETTA GROWER	WASHER	RONDELLE	DECKEL	M10 UNI 1751
18	010199120200	PUL M10 NAYLON UNI 6592-12	ROSETTA	WASHER	RONDELLE	DECKEL	M 10 UNI 6592 ZN
19	015000010300	SEGMANLI FREZE 21 DIS (İLAVE MOTOR HIDROLİK POMPA KAMPANA GOBEGI ICIN 62X57)	MOZZO BROCCIATO GIUNTO	HUB FOR HYD. PUMP	MOYEU JOINT	KUPPLUNGSNABE	
20	015000010200	İLAVE MOTOR ICIN ALUMINYUM MAFSAL D314 COD.1035102	GIUNTO ELASTICO	ALUMINIUM JOINT	CORPS D'EMBRAY	VERBINDUNGSSTUECK	"SAE 3 10""
21	015000010100	KAMPANA SAE 3 COD.3213083 DE=451 IN GHISA X DEUTZ E IVECO AIFO	FLANGIA GIUNTO	JOINT FLANGE	BRIDE JOINT	KUPPLUNGSFLANSCH	"SAE 3 10""

25A - REAR SUPPORT 3

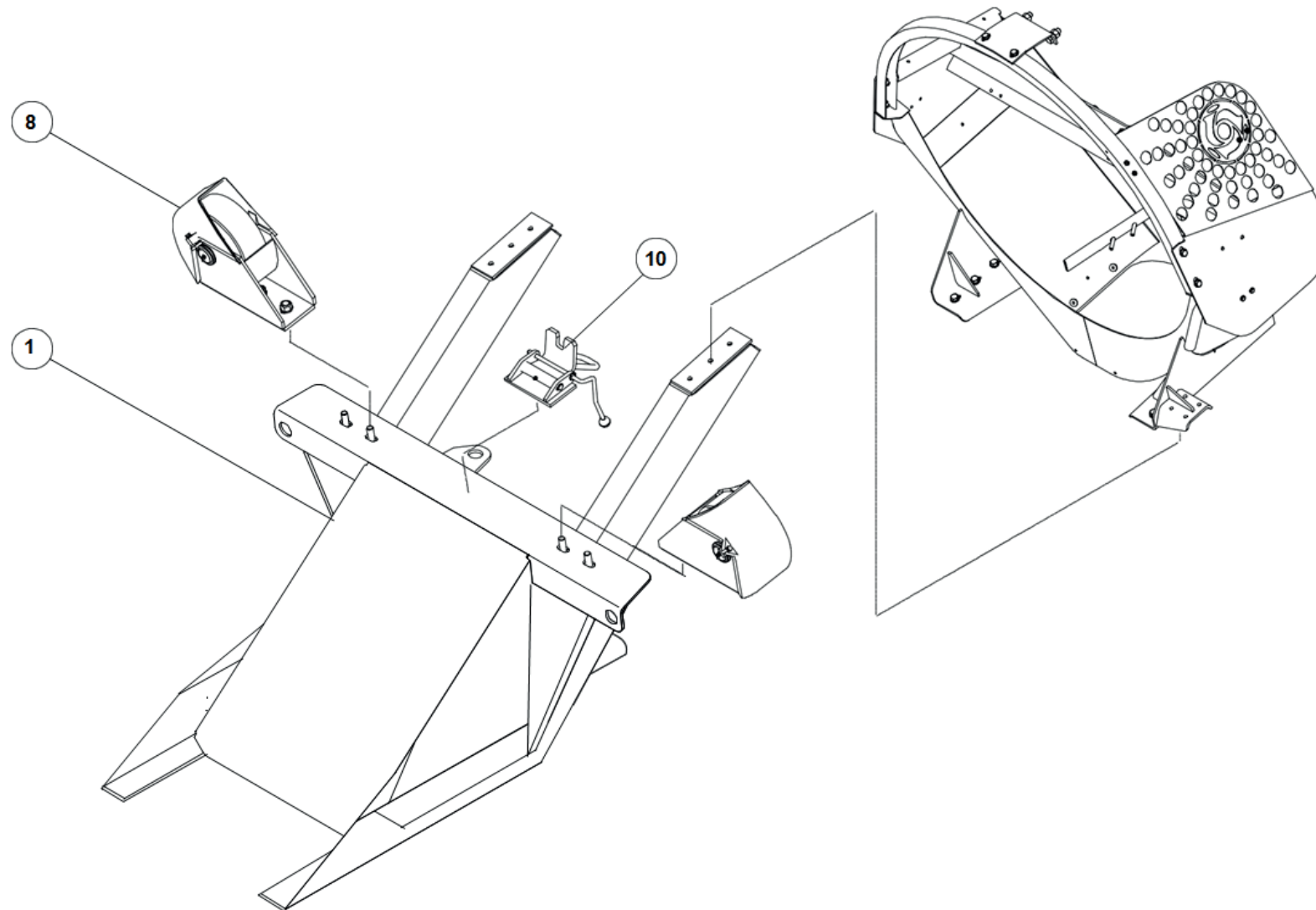


25A - REAR SUPPORT 3



		TR	IT	GB	FR	DE	
#	Cod.	Açıklama	Descrizione	Description	La Description	Beschreibung	Note
1	0300315001	ARKA DESTEK LT 37	CASTELLO POSTERIORE	REAR SUPPORT	CHATEAU ARRIERE	HINTERER MISCHERBOCK	LT 37
8	040017070000	MAKARA GRUBU LT 25 - 30	ASSIEME RULLO	ROLLER WITH SUPPORT	ROULEAU AVEC SUPPORT	ROLLE MIT HALTER	LT 30
10	0604602060	GUVENLIK KILIDI GRUBU KEYLIFE KIT 1 ADAM KAPAGI ICIN	ASS. BLOCCAGGIO ROTAZIONE BOTTE	SAFETY LOCK	BLOCAGE DE SECURITE'	TROMMEL- SICHERHEITSFESTELLEIN.	

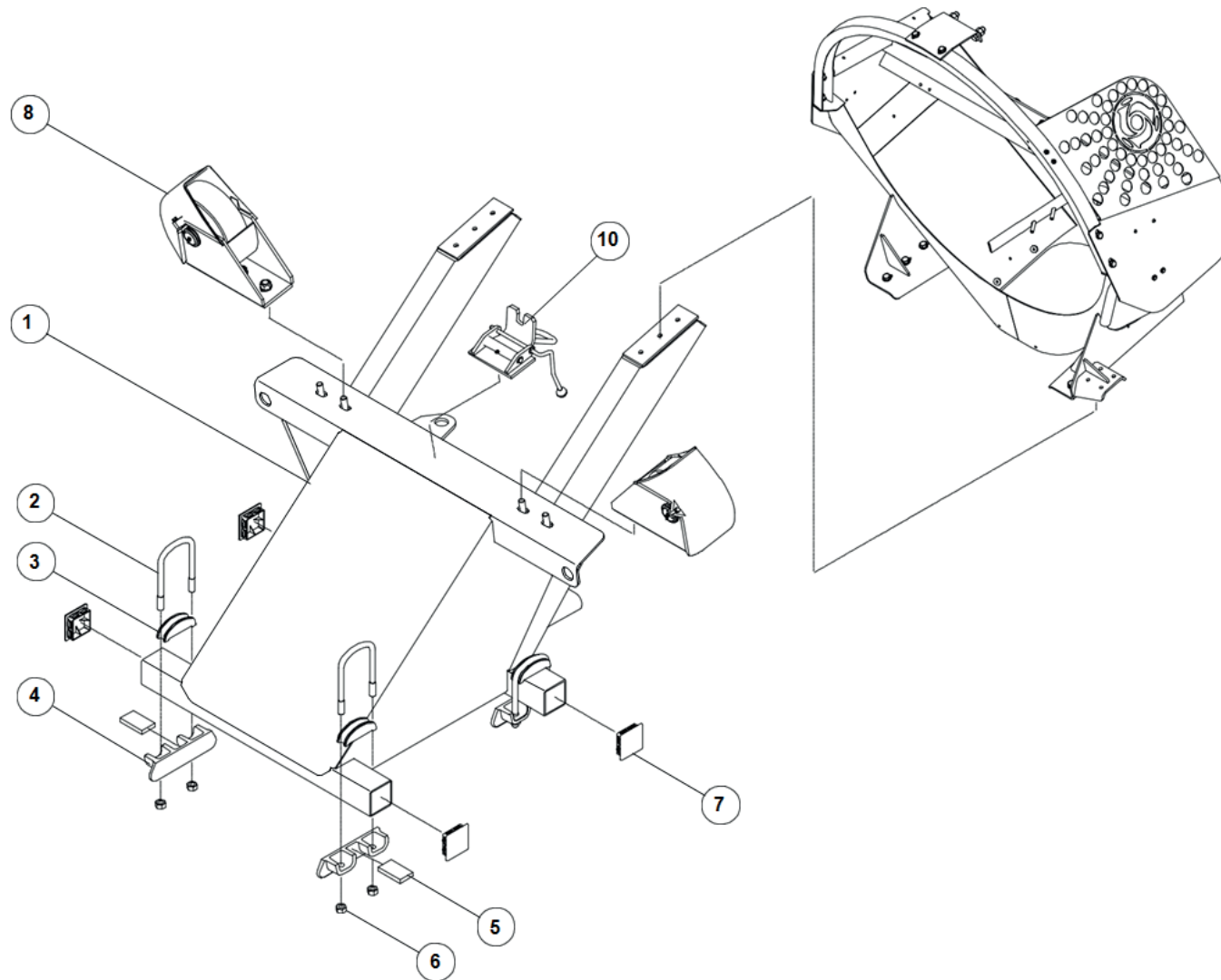
25B - REAR SUPPORT 5



25B - REAR SUPPORT 5

		TR	IT	GB	FR	DE	
#	Cod.	Açıklama	Descrizione	Description	La Description	Beschreibung	Note
1	0300314001	ARKA DESTEK LT 57	CASTELLO POSTERIORE	REAR SUPPORT	CHATEAU ARRIERE	HINTERER MISCHERBOCK	LT 57
8	040617020000	ROTASYON SILINDIR TEKERI LT 60 MAKARA ICIN	RULLO ROTAZIONE TAMBURO	DRUM ROTATION ROLLER	GALET DE ROULEM. ROT. CUVE	TROMMELAUFROLLE	LT 60
10	0604602060	GUVENLIK KILIDI GRUBU KEYLIFE KIT 1 ADAM KAPAGI ICIN	ASS. BLOCCAGGIO ROTAZIONE BOTTE	SAFETY LOCK	BLOCAGE DE SECURITE'	TROMMEL- SICHERHEITSFESTELLEIN.	

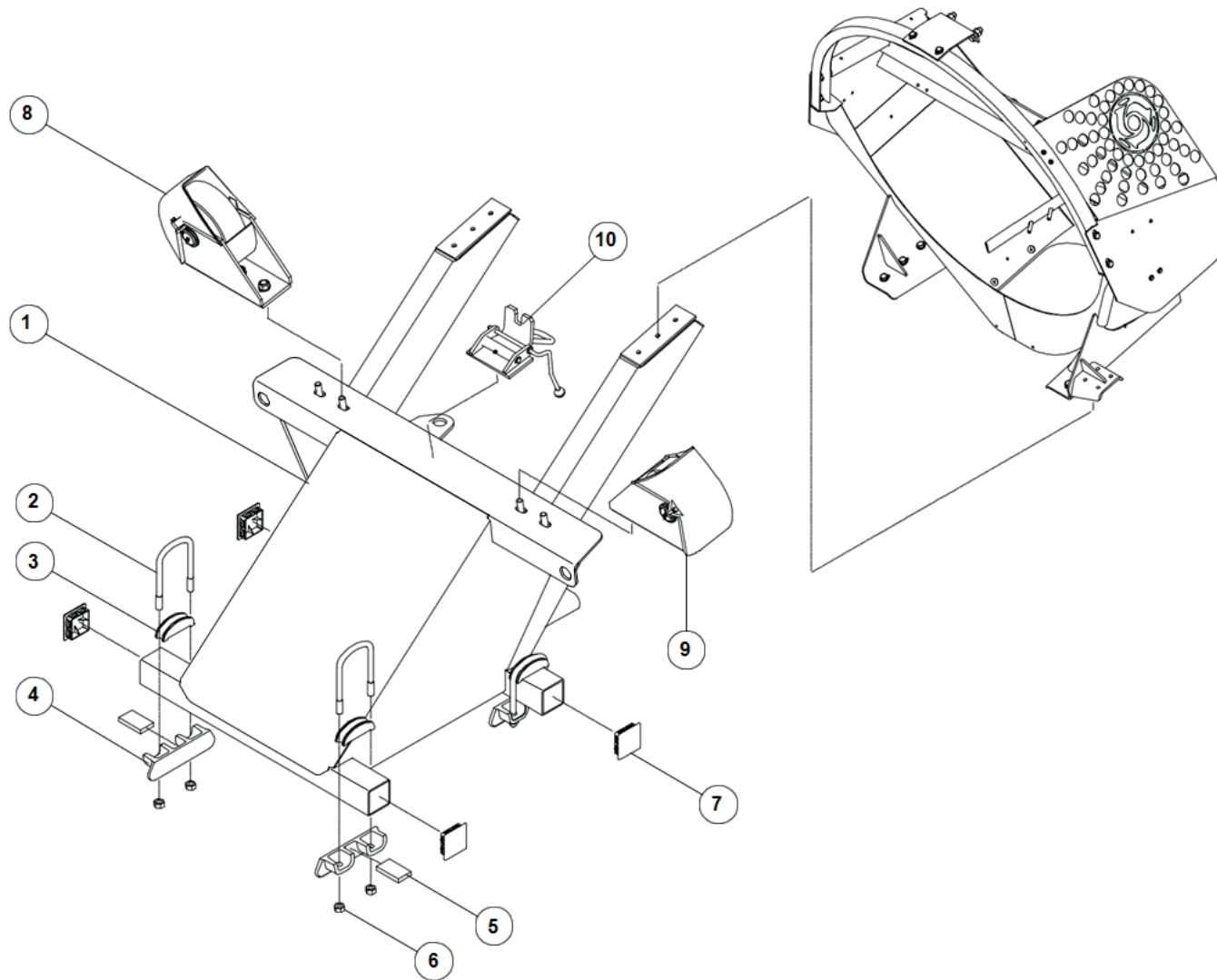
25C - REAR SUPPORT 6-7



25C - REAR SUPPORT 6-7

		TR	IT	GB	FR	DE	
#	Cod.	Açıklama	Descrizione	Description	La Description	Beschreibung	Note
1	030601060000	ON DESTEK LT 3.7---7.7 H STANDART 15 DERECE	CASTELLO POSTERIORE 7.7	REAR SUPPORT	CHATEAU ARRIERE	HINTERER MISCHERBOCK	LT 7.715°
1	0300377001	ARKA DESTEK LT 6.7	CASTELLO POSTERIORE 6.7	REAR SUPPORT	CHATEAU ARRIERE	HINTERER MISCHERBOCK	LT 6.7
2	020106000000	U-CIVATA M20 X 1,5 (38NiCrMo4 - 39NiCrMo3)	CAVALLOTTO PER BRIDA	U-BOLT FOR BRIDE	ÉTRIER	ROHRBRIDE	LT 90 100X100
3	020002010600	BASINC PEDI M20 U CIVATA ICIN	SCONTRO BRIDA VERNICIATO	PRESSURE PART FOR BRIDE	PARTIE A PRESSION POUR ÉTRIER	DRUCKELEMENT	LT 90
4	030002010400	MIKSER SASISI U BAGLANTI SIKISTIRMASI DOVME KULAK	FORGIATO BRIDA	SUPPORT CLAMP	ETRIER SUPPORT	HALTER	LT 90 RIB
5	020002010300	MERKEZLEYICI CELİK PLAKA 60 X 15 X 80	PIATTO LAMINATO	PLATE	SUPPORT	PLATTE	60 X 15 X 100
6	010132200000	SOMUN M20 X 1,5 KILITLI 8.8 KALITE DIN 980	DADO	NUT	ÉCROU	MUTTER	ATB DIN 980 M 20X15 ZN
7	79800800	PLASTİK TIKAC ON ARKA DESTEK ICIN 100X100 H=24	TAPPO ALETTATO RETTANGOLARE	PLUG	BOUCHON	VERSCHLUSS	100X100
8	040617020000	ROTASYON SILINDİR TEKERİ LT 60 MAKARA ICIN	RULLO ROTAZIONE TAMBUR	DRUM ROTATION ROLLER	GALET DE ROULEM. ROT. CUVE	TROMMELAUFROLLE	LT 60
10	0604602060	GUVENLIK KILIDI GRUBU KEYLIFE KIT 1 ADAM KAPAGI ICIN	ASS. BLOCCAGGIO ROTAZIONE BOTTE	SAFETY LOCK	BLOCAGE DE SECURITE'	TROMMEL- SICHERHEITSFESTELLEIN.	

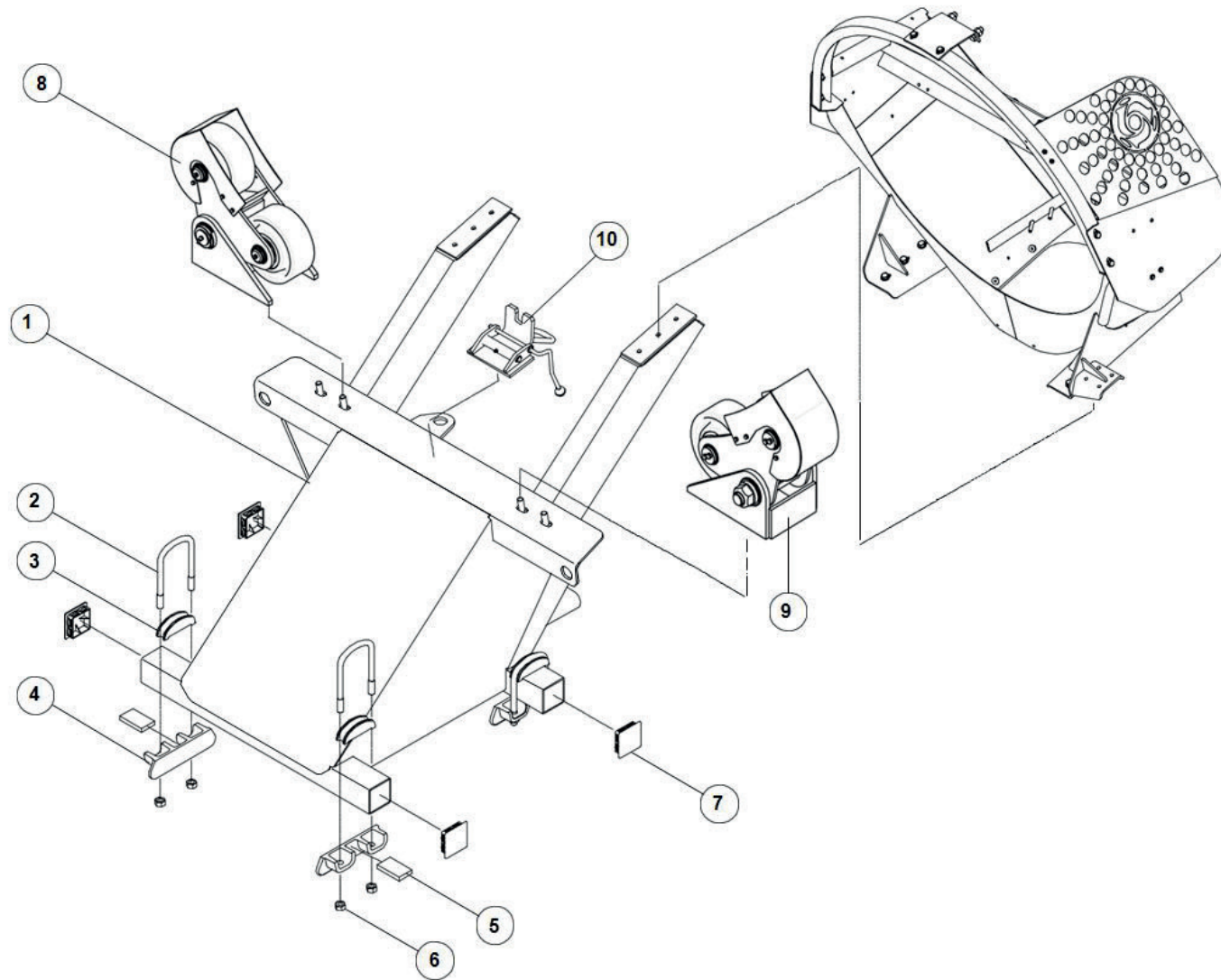
25D - REAR SUPPORT 8-12



25D - REAR SUPPORT 8-12

#	Cod.	TR Açıklama	IT Descrizione	GB Description	FR La Description	DE Beschreibung	Note
1	0300301001	ARKA DESTEK LT 10.7	CASTELLO POSTERIORE	REAR SUPPORT	CHATEAU ARRIERE	HINTERER MISCHERBOCK	LT 10.7
1	0300310020	ARKA DESTEK LT 9.7YENI	CASTELLO POSTERIORE	REAR SUPPORT	CHATEAU ARRIERE	HINTERER MISCHERBOCK	LT 9.7
1	0300331010	ARKA DESTEK LT 12.7	CASTELLO POSTERIORE	REAR SUPPORT	CHATEAU ARRIERE	HINTERER MISCHERBOCK	LT 12.7
1	0300331024	ARKA DESTEK LT 12XL.7	CASTELLO POSTERIORE	REAR SUPPORT	CHATEAU ARRIERE	HINTERER MISCHERBOCK	LT 12XL.7
2	020106000000	U - CIVATA M20 X 1,5 (38NiCrMo4 - 39NiCrMo3)	CAVALLOTTO PER BRIDA	U-BOLT FOR BRIDE	ÉTRIER	ROHRBRIDE	LT 90 100X100
3	020002010600	BASINC PEDI M20 U CIVATA ICIN	SCONTRO BRIDA VERNICIATO	PRESSURE PART FOR BRIDE	PARTIE A PRESSION POUR ETRIER	DRUCKELEMENT	LT 90
4	030002010400	MIKSER SASISI U BAGLANTI SIKISTIRMASI DOVME KULAK	FORGIATO BRIDA	SUPPORT CLAMP	ETRIER SUPPORT	HALTER	LT 90 RIB
5	020002010300	MERKEZLEYICI CELİK PLAKA 60 X 15 X 80	PIATTO LAMINATO	PLATE	SUPPORT	PLATTE	60 X 15 X 100
6	010132200000	SOMUN M20 X 1,5 KILITLI 8.8 KALITE DIN 980	DADO	NUT	ÉCROU	MUTTER	ATB DIN 980 M 20X15 ZN
7	79800800	PLASTIK TIKAC ON ARKA DESTEK ICIN 100X100 H=24	TAPPO ALETTATO RETTANGOLARE	PLUG	BOUCHON	VERSCHLUSS	100x100
8	040917020100	SAG ROTASYON SILINDIR TEKERLEKLERI	ASSIEME RULLO DX C/ SUPPORTO	RIGHT ROLLER W/SUPPORT	ROULEAU DROIT AVEC SUPPORT	RECHTSROLLE MIT HALTER	LT 90
9	040917020000	SOL ROTASYON SILINDIR TEKERLEKLERI	ASSIEME RULLO SX C/ SUPPORTO	LEFT ROLLER W/SUPPORT	ROULEAU GAUCHE AVEC SUPPORT	LINKSSROLLE MIT HALTER	LT 90
10	0604602061	GUVENLIK KILIDI GRUBU KEYLIFE KIT 2 ADAM KAPAGI ICIN	ASS. BLOCCAGGIO ROTAZIONE BOTTE	SAFETY LOCK	BLOCAGE DE SECURITE'	TROMMEL- SICHERHEITSFESTELLEIN.	

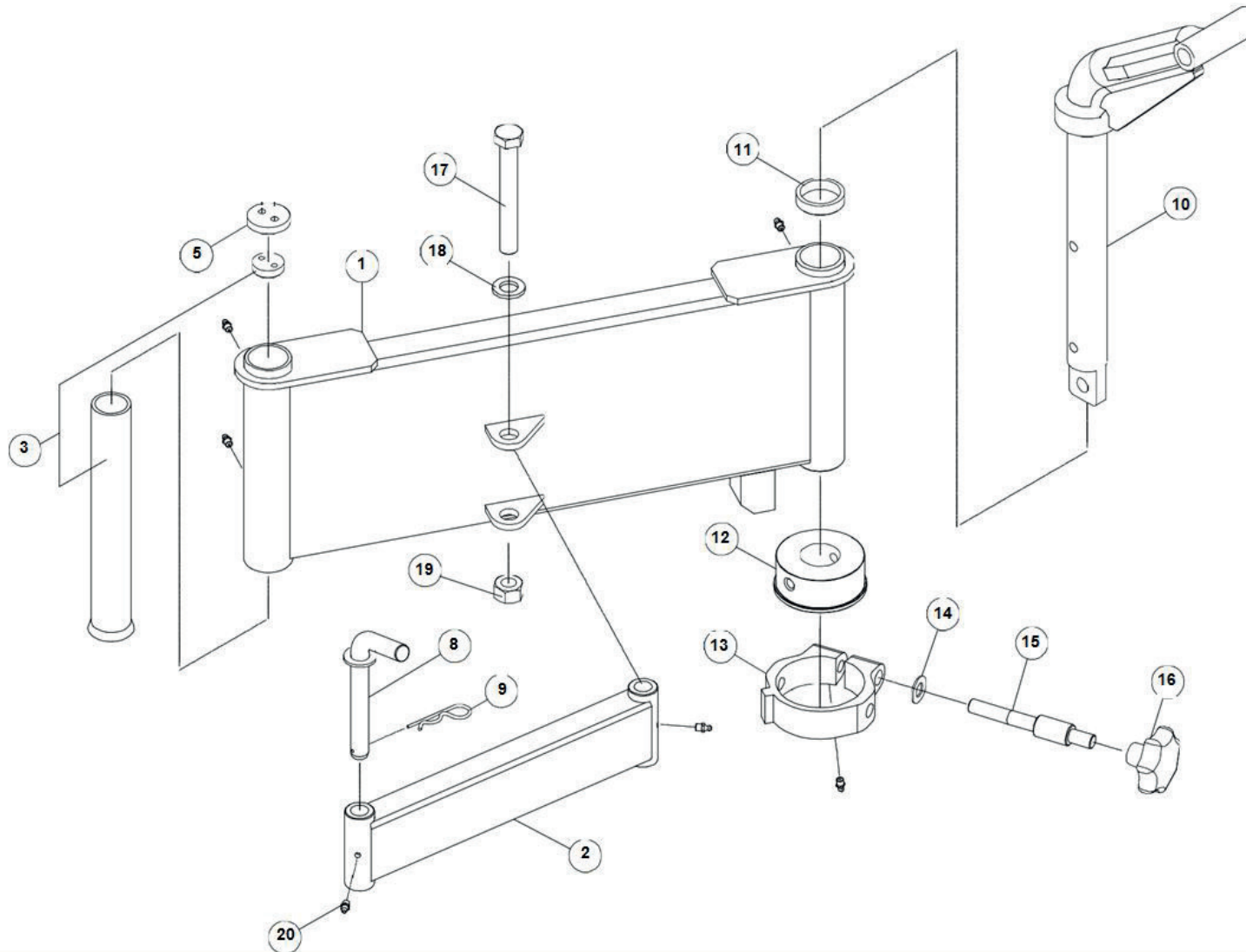
25E - REAR SUPPORT 14



25E - REAR SUPPORT 14

		TR	IT	GB	FR	DE	
#	Cod.	Açıklama	Descrizione	Description	La Description	Beschreibung	Note
1	0300326001	ARKA DESTEK LT 14.7	CASTELLO POSTERIORE	REAR SUPPORT	CHATEAU ARRIERE	HINTERER MISCHERBOCK	LT 14.7 RIBASSATO
2	020106000000	U-CIVATA M20 X 1,5 (38NiCrMo4 - 39NiCrMo3)	CAVALLOTTO PER BRIDA	U-BOLT FOR BRIDE	ÉTRIER	ROHRBRIDE	LT 90 100X100
3	020002010600	BASINC PEDI M20 U CIVATA ICIN	SCONTRO BRIDA VERNICIATO	PRESSURE PART FOR BRIDE	PARTIE A PRESSION POUR ÉTRIER	DRUCKELEMENT	LT 90
4	030002010400	MIKSER SASISI U BAGLANTI SIKISTIRMASI DOVME KULAK	FORGIATO BRIDA	SUPPORT CLAMP	ETRIER SUPPORT	HALTER	LT 90 RIB
5	020002010300	MERKEZLEYICI CELİK PLAKA 60 X 15 X 80	PIATTO LAMINATO	PLATE	SUPPORT	PLATTE	60 X 15 X 100
6	010132200000	SOMUN M20 X 1,5 KILITLI 8.8 KALITE DIN 980	DADO	NUT	ÉCROU	MUTTER	ATB DIN 980 M 20X15 ZN
7	79800800	PLASTİK TIKAC ON ARKA DESTEK ICIN 100X100 H=24	TAPPO ALETTATO RETTANGOLARE	PLUG	BOUCHON	VERSCHLUSS	100x100
8	041417010005	DORTLU MAKARA SAG GRUBU LT 130-140	ASSIEME RULLI ROTAZIONE TAMBURO	DRUM ROTATION ROLLER	ROULEAU ROT. CUVE	TROMMEROLLE	LT 130-140 DX
9	041417010000	DORTLU MAKARA SOL GRUBU LT 130-140	ASSIEME RULLI ROTAZIONE TAMBURO	DRUM ROTATION ROLLER	ROULEAU ROT. CUVE	TROMMEROLLE	LT 130-140 SX
10	0604602063	GUVENLIK KILIDI GRUBU KEYLIFE KIT LT130 & LT14.7	ASS. BLOCCAGGIO ROTAZIONE BOTTE	SAFETY LOCK	BLOCAGE DE SECURITE'	TROMMEL- SICHERHEITSFESTELLEIN.	

26 - SUPPORT ARM GROUP



26 - SUPPORT ARM GROUP

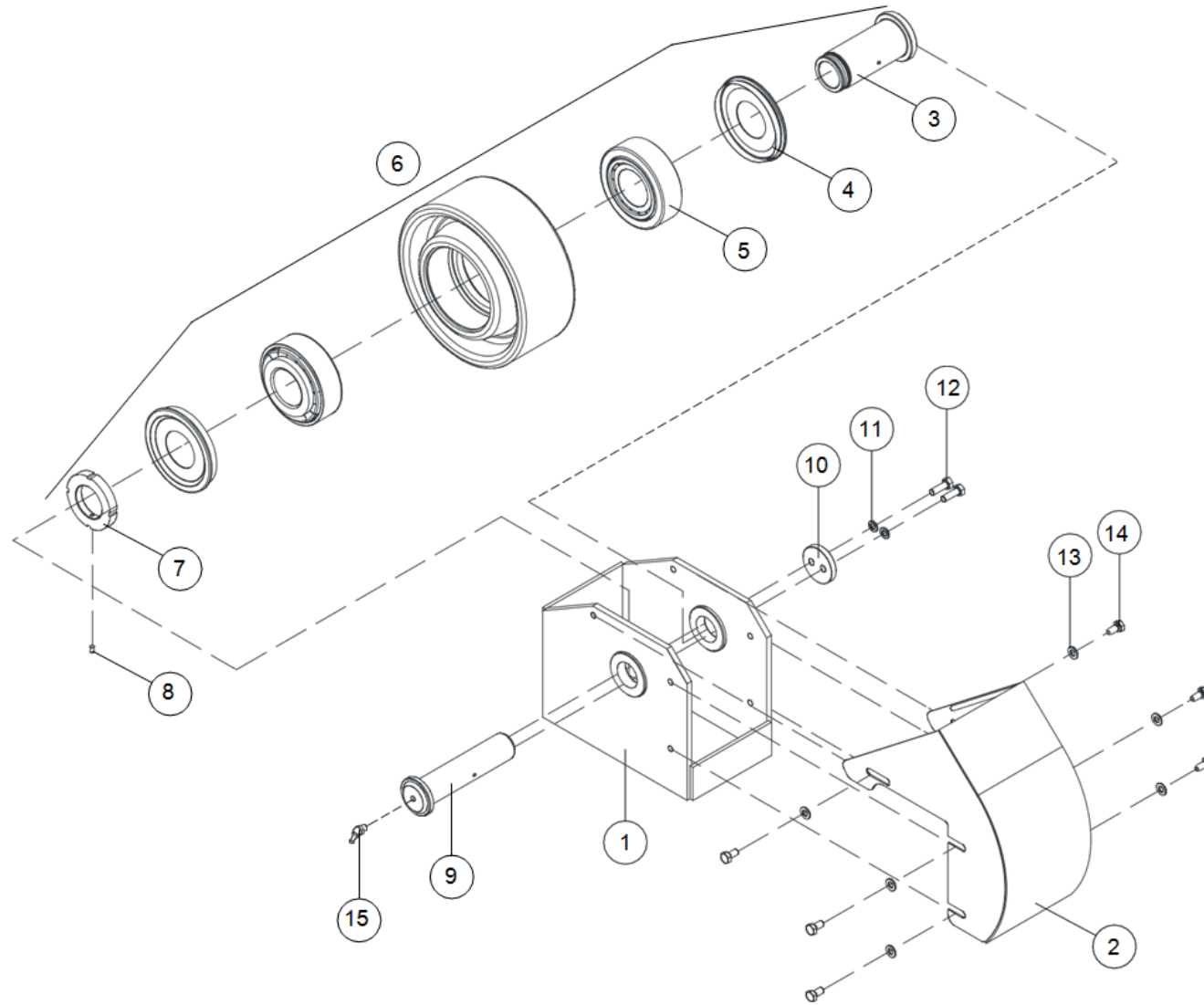
#	Cod.	TR Açıklama	IT Descrizione	GB Description	FR La Description	DE Beschreibung	Note
1	0301010026	DONER OLUK DESTEK LT 3.7 H ICIN	BANDIERA SINGOLA CAST. POST.	SUPPORT ARM	SUPPORT RELEVAGE GOULOTTE	SCHWENKARM	LT 3.7
1	031000100000-1	DONER OLUK DESTEK	BANDIERA SINGOLA CAST. POST.	SUPPORT ARM	SUPPORT RELEVAGE GOULOTTE	SCHWENKARM	LT 7 IS CR
2	031000100100	DONER OLUK DESTEK SABITLEYICI	BANDIERA SX BLOCC. BAND. SING.	SUPPORT LH RESTRAINT	BLOCAGE A GAUCHE	LINKSSCHWENKARM	
3	030015010400	DONER OLUK DESTEK BORUSU	TUBO SVASATO BANDIERA SINGOLA	PIPE FOR SINGLE SUPPORT ARM	TUYAU	ROHR	
5	010617011000	PUL D=50 IKI DELIKLI	ROSETTA DUE FORI	WASHER WITH TWO HOLES	RONDELLE	DECKEL	Ø 50 6 MC
8	031000100300	DONER OLUK DESTEK SABITLEME PINI	SPINOTTO MOBILE BLOCC. BANDIERA SING.	PIN	AXE	SCHWENKBOLZEN	
9	2410-0019	FIRKETE 4 MM	COPIGLIA DI SICUREZZA	COTTER PIN	GOUPILLE	SPLINT	UNI 8833
10	031000011400	KOBRA DONER OLUK DESTEK KOLU Ø 45	BRACCIO CPL SOSTEGNO CANALA	ARM	BRAS	ARM	Ø 45
11	010015030400	DONER OLUK DESTEK KOLU ALUMINYUM BASKI PULU	ROSETTA	WASHER	RONDELLE	DECKEL	DE=55 DI=45 L=13
12	010015030300	DONER OLUK DESTEK KOLU FREN DISKI	ANELLO FRENO INTERNO	INNER BRAKE DISC	ANNEAU DE BLOCAGE INT.	INNERE BLOCKIERUNGSRING	

26 - SUPPORT ARM GROUP



#	Cod.	TR Açıklama	IT Descrizione	GB Description	FR La Description	DE Beschreibung	Note
13	0201001002	FREN DISK KELEPCE HALKASI	ANELLO FRENO ESTERNO LAVORATO	OUTER BRAKE DISC	ANNEAU DE BLOCAGE EXTERIEUR	AUSSERE BLOCKIERUNGSRING	
14	020015060300	PUL 32 X 16,5 X2 BRONZ	ROSETTA IN BRONZO	WASHER	RONDELLE	DECKEL	DE= 32 DI=16,5 SP= 2
15	0201010021	FREN DISK KELEPCESI SIKILAMA BASLIGI MILI	ASSE FILETTATO X VOLANTINO	SHAFT	ARBRE	WELLE	L=155
16	0101010022	FREN KELEPCESI SIKILAMA BASLIGI DIN 6336-E M16 FEMM	VOLANTINO LOBATO	HANDWHEEL	VOLANT	STEUER	DIN 6336-E M16
17	95205690	CIVATA M20 X 150 (DBL) 8.8 KALITE UNI 5737TP	VITE	SCREW	VIS	SCHRAUBE	M20 X 150 UNI 5737
18	68751800	PUL 21 X 37 X 4 (DBL) DUZ UNI 5714-75 FEZN8C1A	ROSETTA PIANA	WASHER	RONDELLE	DECKEL	21 X 37 X 4 UNI 5714-75
19	010131200000	SOMUN M20 KILITLI 8.8 KALITE DIN 980	DADO	NUT	ECROU	MUTTER	ATB M20 DIN 980
20	011113000000	GRESORLUK M8 X 1 X 5 UNI 7663	INGRASSATORE	GREASER	GRAISSEUR	SCHMIERNIPPEL	M8X1X5 UNI 7663
20	011114000000	GRESORLUK M8 X 1 X 7 45° UNI 7663	INGRASSATORE	GREASER	GRAISSEUR	SCHMIERNIPPEL	M8X1X7 45° UNI 7663

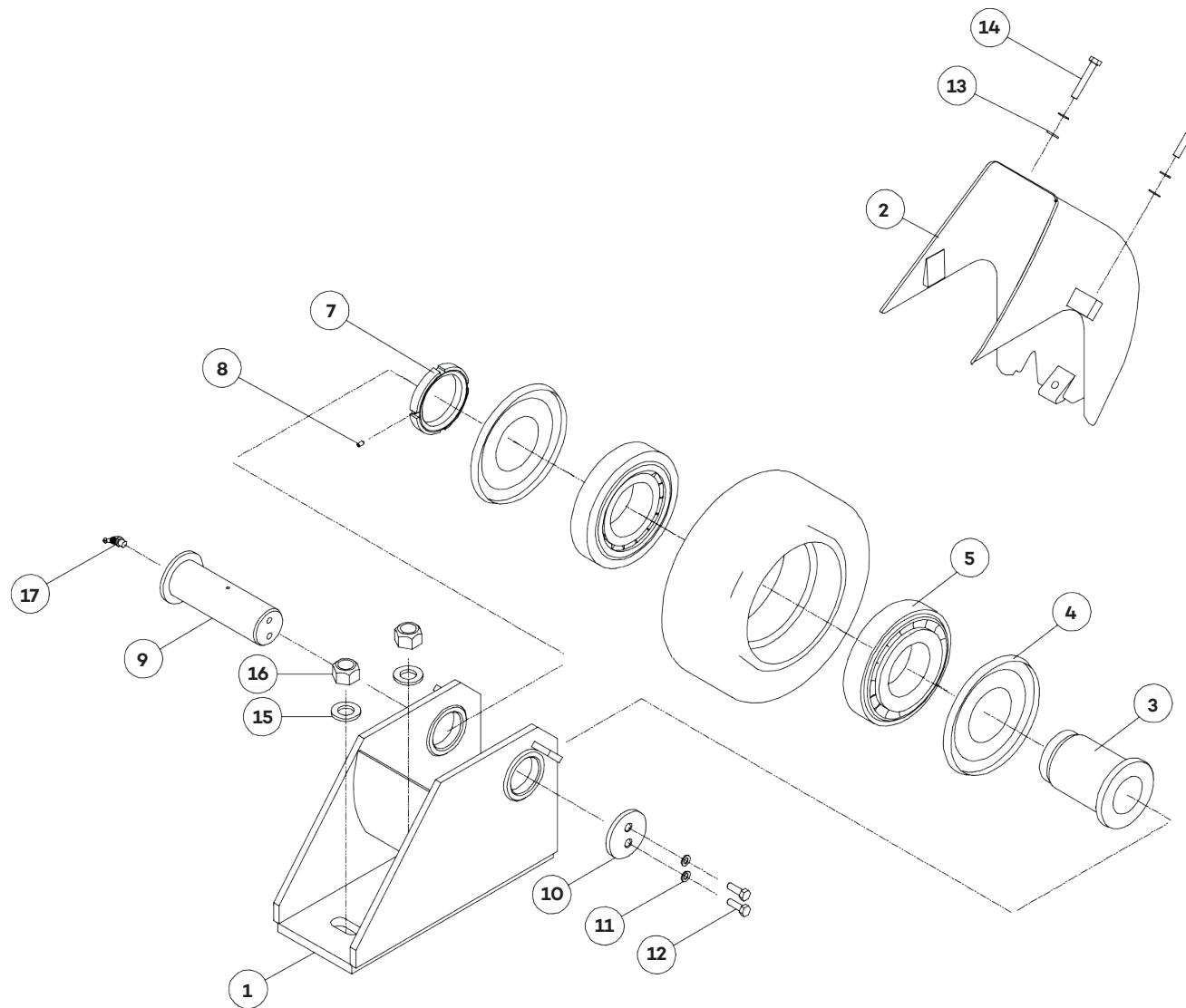
27A - DRUM ROTATION ROLLER 3



27A - DRUM ROTATION ROLLER 3 m3

#	Cod.	TR Açıklama	IT Descrizione	GB Description	FR La Description	DE Beschreibung	Note
1	030017070000	LT 30 - 25 MAKARA DESTEĞİ	SUPPORTO RULLO	WHEEL BRACKET	SUPPORT ROULEAU	HALTERROLLE	LT 30
2	0300608001	LT30 MAKARA DESTEĞİ MUHAFAZASI	CARTER COPRIRULLI	ROLLER COVER GUARD	CARTER COUVRE-ROULEAU	SCHUTZGEHAUSE	LT 3.7
3	010617010300	MAKARA PİM BURCU 6-8 M3	PERNO CAVO	HOLLOW PIN	AXE	SCHWENKBOLZEN	D. 50 - LT60
4	011106000000	RULMAN MUHAFAZA SACI (32310A ICİN) 6-8 M3	ANELLO PARAPOLVERE	DUST COVER	BAGUE	RING	LT60
5	011202000000	RULMAN LT60- LT130 32310 AK	CUSCINETTO	BEARING	ROULEMENT	LAGER	32310 AK LT60
6	030017020000	MAKARA LT130	RULLO COMPLETO	DRUM ROTATION ROLLER	ROULEAU COMPLET	KOMPLETTROLLE	D=220
7	011701000000	SOMUN M3 6-8 MAKARA PİM BURCU	GHIERA	RING NUT	ECROU A ENCOCHES	FUEHRUNGSBUCHSE	M 48X1,5 - LT60
8	97400500	SETSKUR M5 X 10 UNI-5927	VITE	SCREW	VIS	SCHRAUBE	M5 X 10 UNI 5927-67
9	010617010200	MAKARA PİMİ 35LİK İGNE	PERNO	ROLLER PIN	AXE	SCHWENKBOLZEN	LT60 - D35
10	010617011000	PUL D=50 İKİ DELİKLİ	ROSETTA DUE FORI	WASHER WITH TWO HOLES	RONDELLE	DECKEL	Ø 50 6 MC
11	010121780000	PUL M8 UNI 1734 ZN UNI 6592	ROSETTA BISELLATA	WASHER	RONDELLE	DECKEL	8,4 X 16 UNI 6592-69
12	95002200	CIVATA M8 X 50 8.8 KALİTE UNI 5739-65 TE TF FEZN8C1A	VITE	SCREW	VIS	SCHRAUBE	M8 X 50 UNI 5739-65
13	010121780000	PUL M8 UNI 1734 ZN UNI 6592	ROSETTA GROWER	WASHER	RONDELLE	DECKEL	8,4 UNI 1751
14	95001501	CIVATA M8 X 16 8.8 KALİTE UNI 5739-65 TE TF FEZN8C1A	VITE	SCREW	VIS	SCHRAUBE	TE TF M8 X 16 UNI 5739-65
15	011114000000	GRESORLUK M8 X 1 X 7 45° UNI 7663	INGRASSATORE	GREASER	GRAISSEUR	SCHMIERNIPPEL	M8X1X7 45° UNI 7663

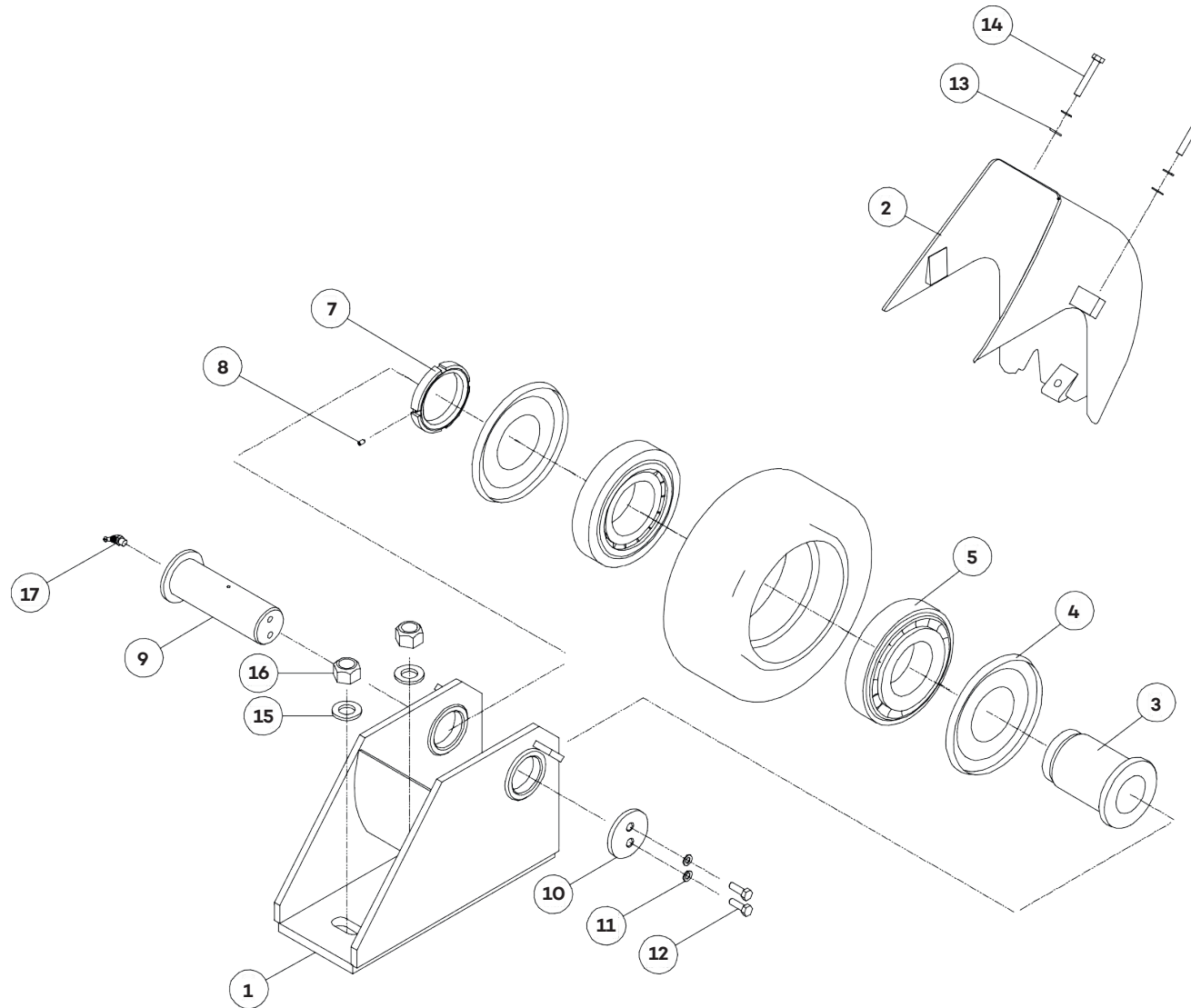
27B - DRUM ROTATION ROLLER 5-7 m3



27B - DRUM ROTATION ROLLER 3 m3

#	Cod.	TR Açıklama	IT Descrizione	GB Description	FR La Description	DE Beschreibung	Note
1	030617020000	LT 60 MAKARA DESTEĞİ	SUPPORTO RULLO	WHEEL BRACKET	SUPPORT ROULEAU	HALTERROLLE	LT60
2	011703000200	PLASTİK MAKARA KAPAGI	CARTER COPRIRULLI PLASTIC	ROLLER COVER GUARD	CARTER COUVRE-ROULEAU	SCHUTZGEHAEUSE	
3	010617010300	MAKARA PİM BURCU 6-8 M3	PERNO CAVO	HOLLOW PIN	AXE	SCHWENKBOLZEN	D. 50 - LT60
4	011106000000	RULMAN MUHAFAZA SACI (32310A ICİN) 6-8 M3	ANELLO PARAPOLVERE	DUST COVER	BAGUE	RING	LT60
5	011202000000	RULMAN LT60- LT130 32310 AK	CUSCINETTO	BEARING	ROULEMENT	LAGER	32310 AK LT60
6	030617010000	MAKARA LT60	RULLO COMPLETO	DRUM ROTATION ROLLER	ROULEAU	ROLLE	LT60
7	011701000000	SOMUN M3 6-8 MAKARA PİM BURCU	GHIERA	RING NUT	ECROU A ENCOCHES	FUEHRUNGSBUCHSE	M 48X1,5 - LT60
8	010110050800	SETSKUR VIDA M5 X 8 STEI C/PUNTA UNI 5927-67	VITE	SCREW	VIS	SCHRAUBE	M5 X 8 UNI 5927-67
9	010617010200	MAKARA PİMİ 35LİK İGNE	PERNO	ROLLER PIN	AXE	SCHWENKBOLZEN	LT60 - D35
10	010617011000	PUL D=50 İKİ DELİKLİ	ROSETTA DUE FORI	WASHER WITH TWO HOLES	RONDELLE	DECKEL	Ø 50 6 MC
11	010121780000	PUL M8 UNI 1734 ZN UNI 6592	ROSETTA BISELLATA	WASHER	RONDELLE	DECKEL	8,4 X 16 UNI 6592-69
12	95002200	CIVATA M8 X 50 8.8 KALİTE UNI 5739-65 TE TF FEZN8C1A	VITE	SCREW	VIS	SCHRAUBE	M8 X 50 UNI 5739-65
13	0401-0047	RONDELA M8	ROSETTA GROWER	WASHER	RONDELLE	DECKEL	GROWER M8 UNI 1751/52
14	95001701	CIVATA M8 X 25 (DBL) 8.8 KALİTE UNI 5739-65 TE TF FEZN8C1A	VITE	SCREW	VIS	SCHRAUBE	M8 X 25 UNI 5739-65
15	68751800	PUL 21 X 37 X 4 (DBL) DUZ UNI 5714-75 FEZN8C1A	ROSETTA PIANA	WASHER	RONDELLE	DECKEL	21 X 37 X 4 UNI 5714-75
16	010131200000	SOMUN M20 KİLİTLİ 8.8 KALİTE DIN 980	DADO	NUT	ECROU	MUTTER	ATB M20 DIN 980
17	011113000000	GRESORLUK M8 X 1 X 5 UNI 7663	INGRASSATORE	GREASER	GRAISSEUR	SCHMIERNIPPEL	M8X1X7 45° UNI 7663

27C - DRUM ROTATION ROLLER 8-12 m3

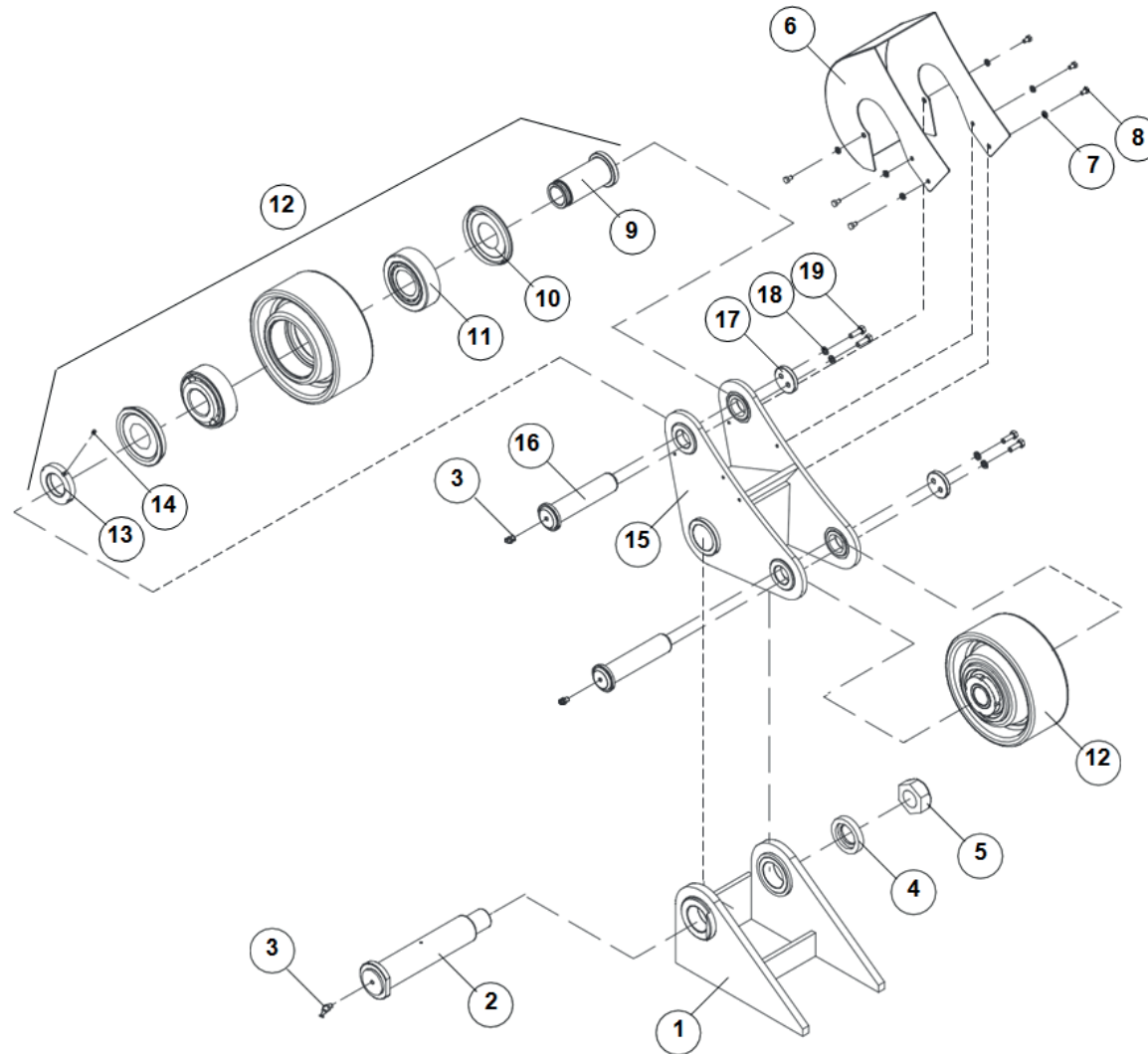


27C - DRUM ROTATION ROLLER 8-12 m3



		TR	IT	GB	FR	DE	
#	Cod.	Açıklama	Descrizione	Description	La Description	Beschreibung	Note
1	030917020000	LT 90 MAKARA DESTEĞİ	SUPPORTO RULLO	WHEEL BRACKET	SUPPORT ROULEAU	HALTERROLLE	LT90 355X201X220
2	011703000200	PLASTİK MAKARA KAPAGI	CARTER COPRIRULLI PLASTIC	ROLLER COVER GUARD	CARTER COUVRE-ROULEAU	SCHUTZGEHAEUSE	
3	010917010100	MAKARA PİM BURCU 9-12 M3	PERNO CAVO	HOLLOW PIN	AXE	SCHWENKBOLZEN	D. 75
4	011107000000	RULMAN MUHAFAZA SACI 9-12 M3	ANELLO PARAPOLVERE	DUST COVER	BAGUE	RING	
5	011201000000	MAKARA RULMANI LT 90 30315A	CUSCINETTO	BEARING	ROULEMENT	LAGER	30315 A
6	030917010000	MAKARA LT 90	RULLO COMPLETO	DRUM ROTATION ROLLER	ROULEAU	ROLLE	LT90
7	011702000000	HALKA SOMUN M70X2	GHIERA	RING NUT	ECROU A ENCOCHES	FUEHRUNGSBUCHSE	M70X2
8	97400500	SETSKUR M5 X 10 UNI-5927	VITE	SCREW	VIS	SCHRAUBE	M5 X 10 UNI 5927-67
9	010917010300	TEKERLEK İGNESİ D=50	PERNO	PIN	AXE	SCHWENKBOLZEN	D50
10	010917010600	PUL D=60 2 DELİKLİ	ROSETTA DUE FORI	WASHER	RONDELLE	DECKEL	D. 65
11	010121780000	PUL M8 UNI 1734 ZN UNI 6592	ROSETTA BISELLATA	WASHER	RONDELLE	DECKEL	8,4 X 16 UNI 6592-69
12	95002200	CIVATA M8 X 50 8.8 KALİTE UNI 5739-65 TE TF FEZN8C1A	VITE	SCREW	VIS	SCHRAUBE	M8 X 50 UNI 5739-65
13	0401-0048	RONDELA M10	ROSETTA GROWER	WASHER	RONDELLE	DECKEL	A 10,5 UNI 1751
14	95002901	CIVATA M10 X 25 8.8 KALİTE UNI 5739-65 TE TF FEZN8C1A	VITE	SCREW	VIS	SCHRAUBE	M10 X 25 UNI 5739-65
15	68751800	PUL 21 X 37 X 4 (DBL) DUZ UNI 5714-75 FEZN8C1A	ROSETTA PIANA	WASHER	RONDELLE	DECKEL	21 X 37 X 4 UNI 5714-75
16	010131200000	SOMUN M20 KİLİTLİ 8.8 KALİTE DIN 980	DADO	NUT	ECROU	MUTTER	ATB M20 DIN 980
17	011114000000	GRESORLUK M8 X 1 X 7 45° UNI 7663	INGRASSATORE	GREASER	GRAISSEUR	SCHMIERNIPPEL	M8X1X7 45° UNI 7663

27D - DRUM ROTATION ROLLER 14.7



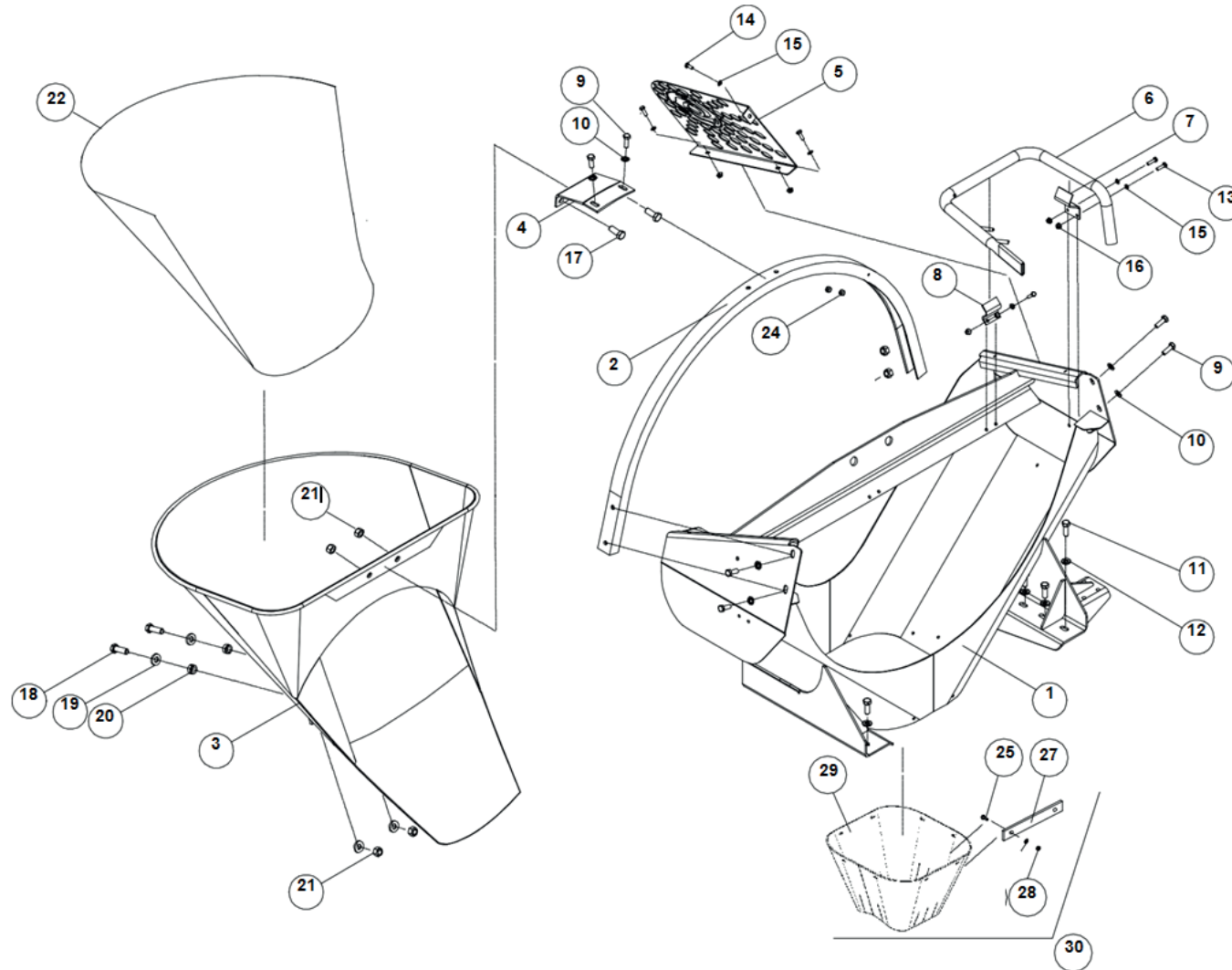
27D - DRUM ROTATION ROLLER 14

		TR	IT	GB	FR	DE	
#	Cod.	Açıklama	Descrizione	Description	La Description	Beschreibung	Note
1	031417010000	DORTLU MAKARA DESTEGI SOL ALT ISLENMIS	SUPPORTO RULLO SX	WHEEL BRACKET LEFT	SUPPORT ROULEAU	HALTERROLLE	
1	031417010005	DORTLU MAKARA DESTEGI SAG ALT ISLENMIS	SUPPORTO RULLO DX	WHEEL BRACKET RIGHT	SUPPORT ROULEAU	HALTERROLLE	
2	030600070900	DORTLU MAKARA DESTEGI MERKEZ IGNESI	PERNO	PIN	AXE	SCHWENKBOLZEN	
3	011114000000	GRESORLUK M8 X 1 X 7 45° UNI 7663	INGRASSATORE	GREASER	GRAISSEUR	SCHMIERNIPPEL	M8X1X7 45° UNI 7663
4	020600070900	DORTLU MAKARA DESTEGI MERKEZ IGNESI PULU D=69-38-50,5	DISTANZIALE	SPACER	ENTRETOISE	DISTANZSTUECK	DE=69 DI=38 SP=11,5
5	18803200	SOMUN M36 X 3 OTOMATIK KILITLI DUSUK UNI 7474 6S FEZN8C1A	DADO	NUT	ECROU	MUTTER	M36 X 3 UNI 7474 6S
6	030600071000	DORTLU MAKARA KAPAGI LT 130-140	CARTER COPRIRULLI	ROLLER COVER GUARD	CARTER COUVRE- ROULEAU	SCHUTZGEHAUSE	LT 130-140
7	015502130000	PUL US1 6X10X1	ROSETTA	WASHER	RONDELLE	DECKEL	GROWER A 64 UNI 1751
8	95000810	CIVATA M6 X 10 8.8 KALITE UNI 5739- 65 TE TF FEZN8C1A	VITE	SCREW	VIS	SCHRAUBE	TE TF M6 X 10 UNI 5739-65
9	010617010300	MAKARA PIM BURCU 6-8 M3	PERNO CAVO	HOLLOW PIN	AXE	SCHWENKBOLZEN	D. 50 - LT60

27D - DRUM ROTATION ROLLER 14

		TR	IT	GB	FR	DE	
#	Cod.	Açıklama	Descrizione	Description	La Description	Beschreibung	Note
10	011106000000	RULMAN MUHAFAZA SACI (32310A ICIN) 6-8 M3	ANELLO PARAPOLVERE	DUST COVER	BAGUE	RING	LT60
11	011202000000	RULMAN LT60- LT130 32310 AK	CUSCINETTO	BEARING	ROULEMENT	LAGER	32310 AK LT60
12	030017020000	MAKARA LT130	RULLO COMPLETO	DRUM ROTATION ROLLER	ROULEAU COMPLET	KOMPLETTROLLE	D=220
13	011701000000	SOMUN M3 6-8 MAKARA PIM BURCU	GHIERA	RING NUT	ECROU A ENCOCHES	FUEHRUNGSBUCHSE	M 48X1,5 - LT60
14	97400500	SETSKUR M5 X 10 UNI-5927	VITE	SCREW	VIS	SCHRAUBE	M5 X 10 UNI 5927-67
15	031417020000	DORTLU MAKARA DESTEGI HAREKETLI UST	BILANCINO	ROCKING LEVER	BALANCIER	KIPPEBEL	LT 130-140
16	010617010200	MAKARA PIMI 35LIK IGNE	PERNO	ROLLER PIN	AXE	SCHWENKBOLZEN	LT60 - D.35
17	010617011000	PUL D=50 IKI DELIKLI	ROSETTA DUE FORI	WASHER WITH TWO HOLES	RONDELLE	DECKEL	Ø 50 6 MC
18	0401-0047	RONDELA M8	ROSETTA GROWER	WASHER	RONDELLE	DECKEL	8,4 UNI 1751
19	95001701	CIVATA M8 X 25 (DBL) 8.8 KALITE UNI 5739-65 TE TF FEZN8C1A	VITE	SCREW	VIS	SCHRAUBE	M8 X 25 UNI 5739-65

28 - HOPPERS



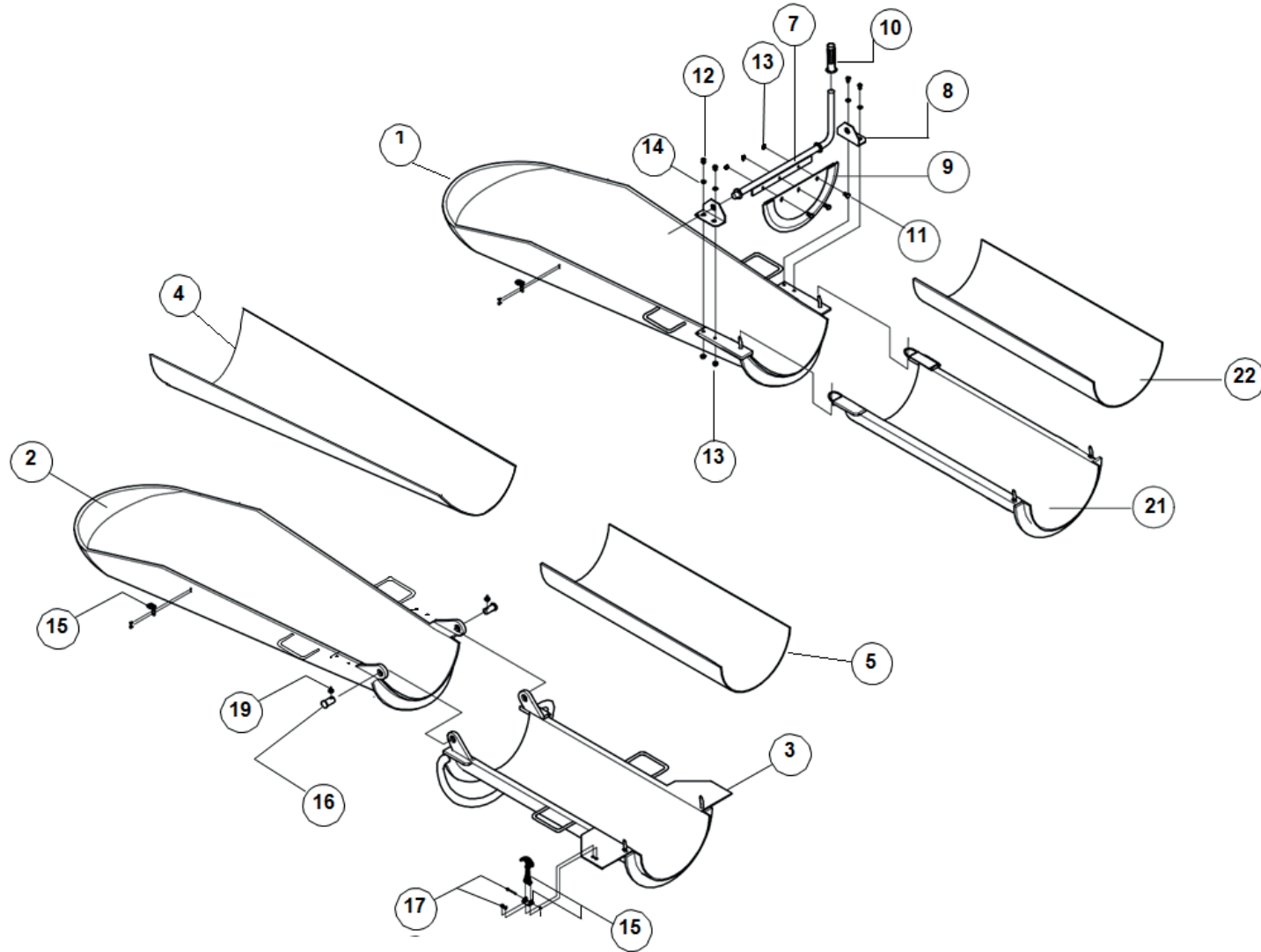
28 - HOPPERS

#	Cod.	TR Açıklama	IT Descrizione	GB Description	FR La Description	DE Beschreibung	Note
1	0301514025	V OLUK STANDART	TRAMOGGIA DI SCARICO	DISCHARGE HOPPER	TREMIE DE DECHARGE	AUSLAUFTRICHTER	SERIAL NUMBER
2	0301716003	DOLDURMA OLUGU ICIN SUSPANSİYON	ARCO SOSPENSIONE TRAM. TIPO IS	SUSPENSION ARC	ARC DE SUSPENSION	AUFHAENGUNGSBOGEN	
3	030609020000	DOLDURMA OLUGU LT 60 ASINMA SACLI	TRAMOGGIA DI CARICO CON USURA LT60	FEED HOPPER WITH WEAR PLATES	TREMIE DE CHARGE AVEC USURE	BELADUNGSTRICHTER MIT ABN.	LT37.....LT8.7 - SERIAL NUMBER
3	030909070000	DOLDURMA OLUGU LT 90 (ASINMA SACLI)	TRAMOGGIA DI CARICO CON USURA LT90	FEED HOPPER WITH WEAR PLATES	TREMIE DE CHARGE AVEC USURE	BELADUNGSTRICHTER MIT ABN.	LT97.....LT14.7 - SERIAL NUMBER
4	0201716002	DOLDURMA OLUGU BAGLANTI PLAKASI	PIASTRA SUP. AGGANCIAMENTO TRAMOGGIA	PLATE	PLAQUE	PLATTE	
5	0201716010	MERDIVEN UST MUHAFAZASI ILAVE PLAKALI	RETE DI PROTEZ. MONTA SX	PROTECTION MESH	GRILLE DE PROTECTION	SCHUTZNETZ	
6	0301514004	KAZAN SU DOLUM FISKIYESI	TUBO ACQUA SPRUZZ. SX	WATER PIPE	TUYAU EAU	WASSERROHR	
7	0201514031	SU FISKIYESI BAGLANTI PLAKASI - UZUN - L=132	STAFFA LAT. FISSAGGIO TUBO ACQUA	LATERAL FIXING FLASK	PLAQUE DE FIXATION LATERAL	SEITLICHE SPANNEISEN	
8	0201514022	SU FISKIYESI BAGLANTI PLAKASI - KISA - L=83	STAFFA FISSAGGIO TUBO ACQUA	FIXING FLASK	PLAQUE DE FIXATION	SPANNEISEN	
9	95003901	CIVATA M12 X 30 (DBL) 8.8 KALITE UNI 5739-65 TE TF FEZN8C1A	VITE	SCREW	VIS	SCHRAUBE	M12 X 30 UNI 5739-65
10	68750600	PUL 13 X 24 X 3 DUZ UNI 5714-75 FEZN8CIA	ROSETTA PIANA	WASHER	RONDELLE	DECKEL	13 X 24 X 3 UNI 5714-75
11	95005000	CIVATA M14 X 40 (DBL) 8.8 KALITE UNI 5739-65 TE TF	VITE	SCREW	VIS	SCHRAUBE	M14 X 40 UNI 5739-65
12	010115140000	PUL 15 X 28 X 4 DUZ UNI 5714 FEZNC1A	ROSETTA PIANA	WASHER	RONDELLE	DECKEL	15 X 28 SP=4 UNI 5714
13	95001701	CIVATA M8 X 25 (DBL) 8.8 KALITE UNI 5739-65 TE TF FEZN8C1A	VITE	SCREW	VIS	SCHRAUBE	M8 X 25 UNI 5739-65
14	95001701	CIVATA M8 X 25 (DBL) 8.8 KALITE UNI 5739-65 TE TF FEZN8C1A	VITE	SCREW	VIS	SCHRAUBE	M8 X 25 UNI 5739-65

28 - HOPPERS

#	Cod.	TR Açıklama	IT Descrizione	GB Description	FR La Description	DE Beschreibung	Note
15	010121780000	PUL M8 UNI 1734 ZN UNI 6592	ROSETTA BISELLATA	WASHER	RONDELLE	DECKEL	8,4 X 16 UNI 6592-69
16	010119080000	SOMUN M8 FLANSLI (DBL) DIN 6923 ZN	DADO FLANGIATO	FLANGED NUT	ECROU FLASQUE'	FLANSCHMUTTER	DIN 6923 M8 ZN
17	95006000	CIVATA M16 X 50 (DBL) 8.8 KALITE UNI 5739-65 TE TF FEZN8C1A	VITE	SCREW	VIS	SCHRAUBE	M16 X 50 UNI 5739-65
18	95006000	CIVATA M16 X 50 (DBL) 8.8 KALITE UNI 5739-65 TE TF FEZN8C1A	VITE	SCREW	VIS	SCHRAUBE	16X50
19	010199160500	PUL 17X 35 X 5 FEZN8C1A S235JR	ROSETTA	WASHER	RONDELLE	DECKEL	M 16 SP 5 ZN
20	010120162800	YAY IGNESE D.16 X 28 X 14 (YARIKLI PİM)	SPINA ELASTICA	ELASTIC PIN	AXE	SCHWENKBOLZEN	16X28X14
21	010131160000	SOMUN M16 X 2 KILITLI DIS 8.8 KALITE DIN 980	DADO	NUT	ÉCROU	MUTTER	ATB DIN 980 M 16 ZN
22	020609020100	DOLDURMA OLUGU ASINMA SACI	USURA TRAMOGGIA DI CARICO	HOPPER WEAR PLATE	PLAQUE D'USURE TREMIE	ABNUTZBARE BLECH	LT97.....LT14.7 - SERIAL NUMBER
24	010119080000	SOMUN M8 FLANSLI (DBL) DIN 6923 ZN	DADO ESAGONALE ALTO	NUT	ECROU	MUTTER	M8 UNI 5587-68
25	010103060500	CIVATA M6 X 25 HAVSA BASLI 8.8 KALITE UNI 5732 ZN	VITE	SCREW	VIS	SCHRAUBE	M6 X 25 UNI 5732
27	021500131200	KAUCUK YAKA ICIN PLAKA 30X5X L=210	PIATTO LAMINATO	PLATE	SUPPORT	PLATTE	30X5X210 D.8
28	010119060000	SOMUN M6 YAKA DIN 6923 ZN	DADO ESAGONALE NORMALE	NUT	ECROU	MUTTER	M6 DIN 6923
29	020007000301	V OLUK ICIN KAUCUK YAKA	CALZONE IN GOMMA TRAMOGGIA SCAR.	RUBBER SPLASH GUARD	PARTIE EN CAOUTCHOUC	GUMMIANSATZ	
30	061500110111	V OLUK KAUCUK GRUBU	KIT GOMMA TRAMOGGIA SCARICO C/VIT.	KIT RUBBER HOSE HOPPER	KIT CAOUTCHOUC TREMIE	TRICHTERGUMMI	

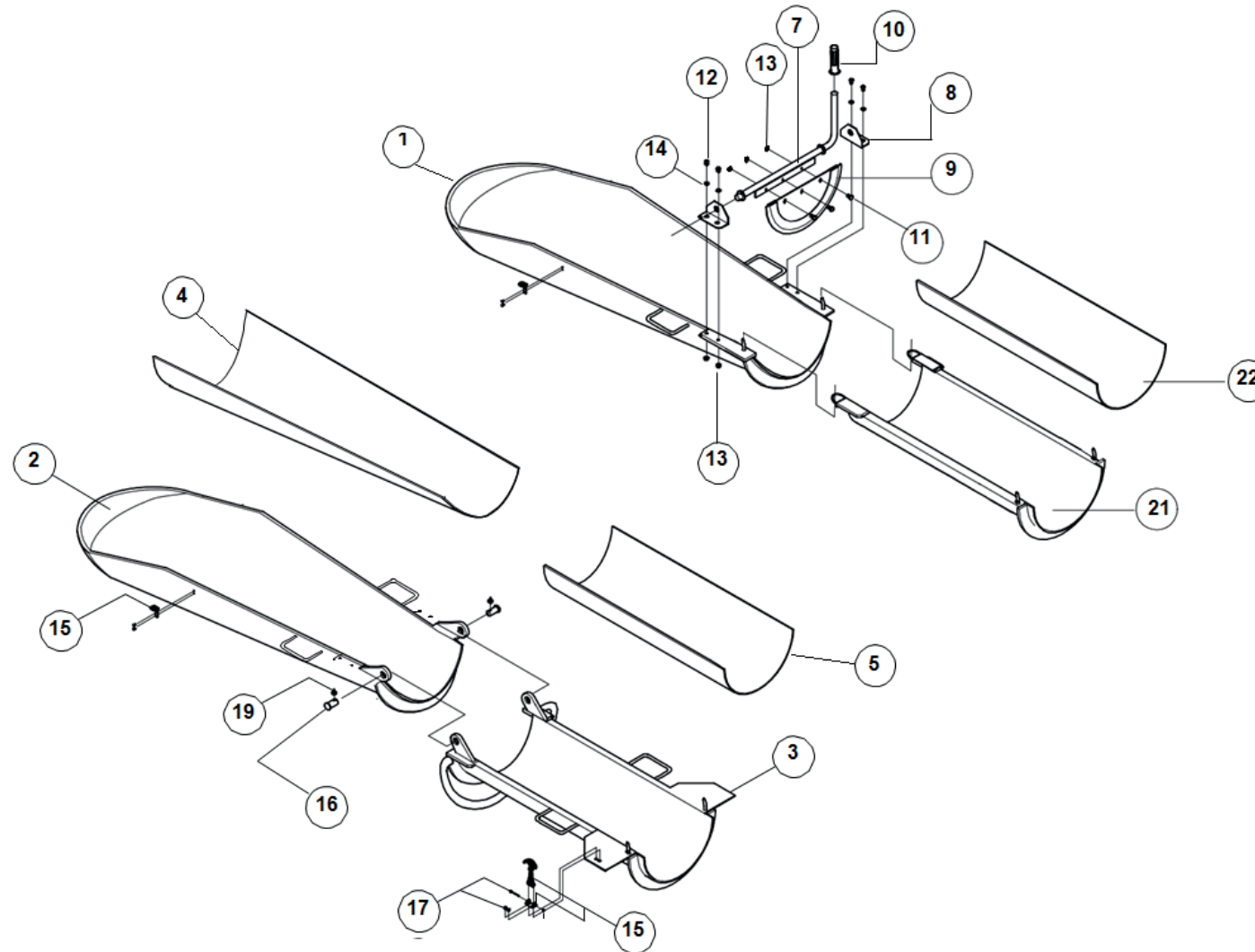
29 - DISCHARGE CHUTE



29- DISCHARGE CHUTE

#	Cod.	TR Açıklama	IT Descrizione	GB Description	FR La Description	DE Beschreibung	Note
1	030013210000	DONER OLUK L=1250 KANCALI (ASINMA SACLI)	CANALA SCARICO X PROL. C/US. X TEG.	DISCH. CHUTE WITH WEAR PLATE	GOULOTTE PIVOTANTE	AUSLAUFSCHURRE	L=1250 KANCALI
1	031210011100	DONER OLUK L=1500 ASINMA SACLI KANCALI	CANALA DI SCARICO X TEGOLO+USURA	DISCHARGE CHUTE W/WEAR PLATE	GOULOTTE PIVOTANTE AVEC USURE	AUSLAUFSCH. MIT ABNUTZ.	L=1500 KANCALI
2	030013220000	DONER OLUK L=1250 ASINMA SACLI KULAKLI	CANALA SCARICO X PROL. S/US. X TEG.	DISCHARGE CHUTE	GOULOTTE PIVOTANTE	AUSLAUFSCHURRE	L=1250 KULAKLI
2	030013290100	DONER OLUK L=1500 ASINMA SACLI KULAKLI	CANALA DI SCARICO X TEGOLO+USURA	DISCHARGE CHUTE W/WEAR PLATE	GOULOTTE PIVOTANTE AVEC USURE	AUSLAUFSCH. MIT ABNUTZ.	L=1500 KULAKLI
3	030014010100	KATLANIR OLUK PLASTIK L=750	RIBALTINA IN POLYSTONE C/RIVETTI	POLYSTONE HINGED EXT. CHUTE	GOULOTTE PIVOTANTE EN POLYSTON	POLYSTONE AUSLAUFSCHURRE	L=750 PLASTIC
4	020013260100	DONER OLUK ASINMA SACI L=1500	USURA CANALA DI SCARICO	WEAR PLATE X DISCHARGE CHUTE	USURE GOULOTTE PIVOTANTE	ABNUTZUNG x AUSLAUFSCHURRE	L=1500 WEAR PLATE
4	020013020100	DONER OLUK ASINMA SACI	USURA CANALA DI SCARICO	WEAR PLATE X DISCHARGE CHUTE	USURE GOULOTTE PIVOTANTE	ABNUTZUNG X AUSLAUFSCHURRE	L= 1250 STD
5	021310060100	KATLANIR OLUK LASTIGI	LAстра POLYSTONE RIBALTINA	POLYSTONE WEAR	PLAQUE POLYSTONE	POLYSTONEPLATTE	660X750
7	030013180200	DONER OLUK KAPAK KOLU	MANIGLIA CHIUSURA CANALA DI SCARICO	HANDLE	POIGNEE	HANDGRIFF	
8	021200040400	DONER OLUK KAPAMA KOLU BRAKETI	ORECCHIA SUPPORTO CANALA	FLANGE	BRIDE	FLANSCH	
9	030013180300	DONER OLUK KAPAK ICIN LASTIKLI PLAKA	PALETTA TEGOLO CON GOMMA VULCANIZZ.	PLATE WITH RUBBER FOR FLAP	PLAQUE AVEC CAOUTCHOUC	PLATTE MIT GUMMI	
10	011102000100	PVC TUTACAK DONER OLUK KAPAMA ICIN 1024/BP X LEVA TEGOLO D 16	MANOPOLA PVC	RUBBER HANDLE FOR FLAP	BOUTON PVC	PVC KNOPF	MOD. 1024/BP
11	010103080600	CIVATA M8 X 30 YUVARLAK BASLI DIBI DORT KOSE 4.6 KALITE UNI 5732 ZN	VITE	SCREW	VIS	SCHRAUBE	M 8X30 UNI 5732 ZN
12	95001701	CIVATA M8 X 25 (DBL) 8.8 KALITE UNI 5739-65 TE TF FEZN8C1A	VITE	SCREW	VIS	SCHRAUBE	M 8X25 UNI 5739 ZN
13	010119080000	SOMUN M8 FLANSLI (DBL) DIN 6923 ZN	DADO FLANGIATO	FLANGED NUT	ECROU FLASQUE	FLANSCHMUTTER	DIN 6923 M 8 ZN
14	010121780000	PUL M8 UNI 1734 ZN UNI 6592	ROSETTA	WASHER	RONDELLE	DECKEL	M 8UNI 1734 ZN

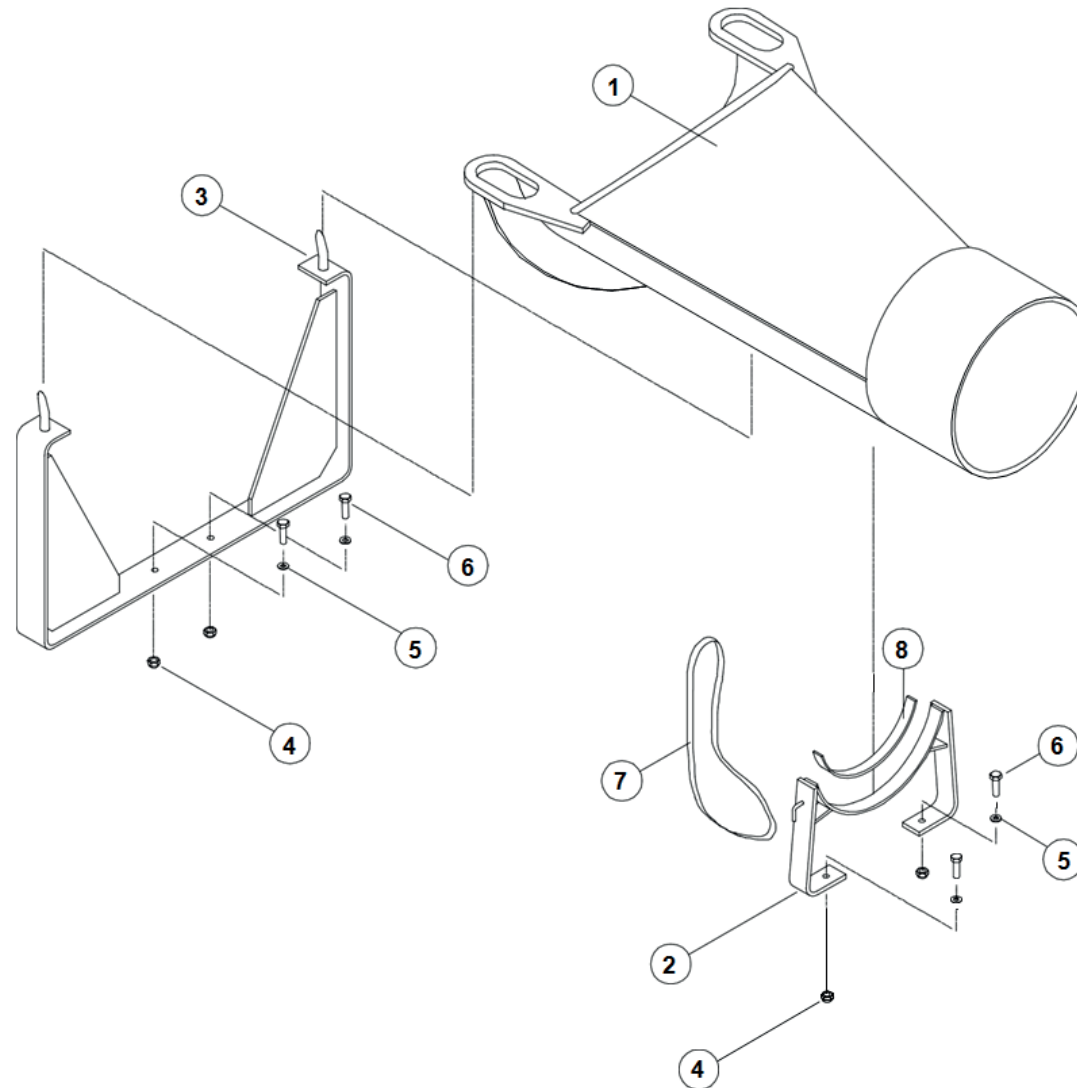
29 - DISCHARGE CHUTE



29 - DISCHARGE CHUTE

		TR	IT	GB	FR	DE	
#	Cod.	Açıklama	Descrizione	Description	La Description	Beschreibung	Note
15	011127000000	KATLANIR OLUK BAGLANTI LASTIGI TAKIMI	TIRANTE IN GOMMA GROUP	TIE-ROD	TIRANT GROUPE	ZUGSTAB GROUP	
16	010014010800	KATLANIR OLUK SABITLEME PIMI	PERNO CANALA RIBALTABILE	PIN	AXE	SCHWENKBOLZEN	
17	010126041200	PERCIN 4,8 X 16 CELIK	RIVETTO A STRAPPO	RIVET	RIVET	ALUMINIUM NIET	ALU Ø 4.8 X 12
19	15200690	KOPILYA D=4	COPIGLIA	COTTER PIN	GOUPILLE	SPLINT	Ø 4X50 UNI 1366
21	030020080000	ILAVE OLUK L=1000	CANALA DI PROLUNGA IN POLYSTONE	POLYSTONE EXTENSION CHUTE	GOULOTTE POLYSTONE	POLYST. VERLANGERUNGSSCHURRE	L=1000
22	021300040300	ILAVE OLUK ASINMA LASTIGI	LASTRA POLYSTONE CANALA PROLUNGA	POLYSTONE PLATE FOR EXTENSION	PLAQUE POLYSTONE	POLYSTONEPLATTE	660X995

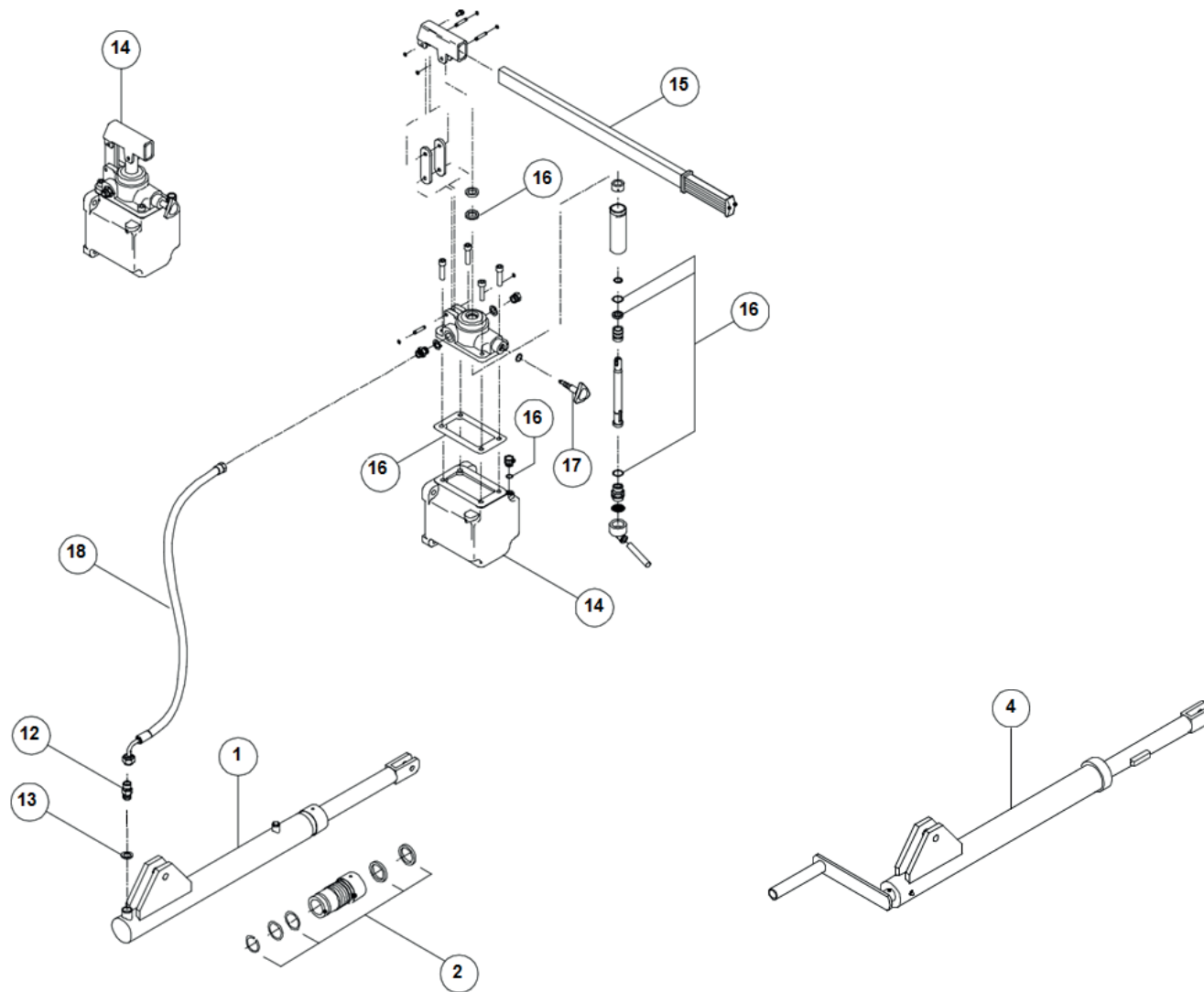
30 - DISCHARGE FUNNEL CHUTE



30 - DISCHARGE FUNNEL CHUTE

		TR	IT	GB	FR	DE	
#	Cod.	Açıklama	Descrizione	Description	La Description	Beschreibung	Note
1	031300080100	HUNI TIPI UZATMA OLUGU D 185	CANALA DI PROLUNGA AD IMBUTO	CHUTE	GOULOTTE	VERLANGERUNGSSCHURRE	D=185
1	031310080100	HUNI TIPI UZATMA OLUGU L=195	CANALA DI PROLUNGA AD IMBUTO	CHUTE	GOULOTTE	VERLANGERUNGSSCHURRE	D=195
1	031310080200	HUNI TIPI UZATMA OLUGU D230	CANALA DI PROLUNGA AD IMBUTO	CHUTE	GOULOTTE	VERLANGERUNGSSCHURRE	D=230
2	030021030300	HUNI TIPI UZATMA OLUGU ELASTIK DESTEĞI	SUPPORTO ELASTICO	ELASTIC SUPPORT	SUPPORTE	HALTER	
3	030021030400	HUNI TIPI UZATMA OLUGU DESTEĞI	SUPPORTO CON GANCI	FUNNEL CHUTE SUPPORT	SUPPORT	SPANNEISEN	
4	010119080000	SOMUN M8 FLANSLI (DBL) DIN 6923 ZN	DADO FLANGIATO	FLANGED NUT	ECROU FLASQUE'	FLANSCHMUTTER	DIN 6923 M8 ZN
5	010121780000	PUL M8 UNI 1734 ZN UNI 6592	ROSETTA BISELLATA	WASHER	RONDELLE	DECKEL	8,4 X 16 UNI 6592-69
6	010103080600	CIVATA M8 X 30 YUVARLAK BASLI DIBI DORT KOSE 4.6 KALITE UNI 5732 ZN	VITE	SCREW	VIS	SCHRAUBE	8X30 UNI 5739 ZN
7	011109770000	HUNI TIPI OLUK LASTIGI L=360	ELASTICO	ELASTIC	BANDE ELASTIQUE	GUMMIBAND	L=360
8	011111000000	KAUCUK PROFIL 50X5 PVC	GOMMA PER SELLA	SUPPORT RUBBER	CAOUTCHOUC POUR SUPPORT	GUMMI	50X5

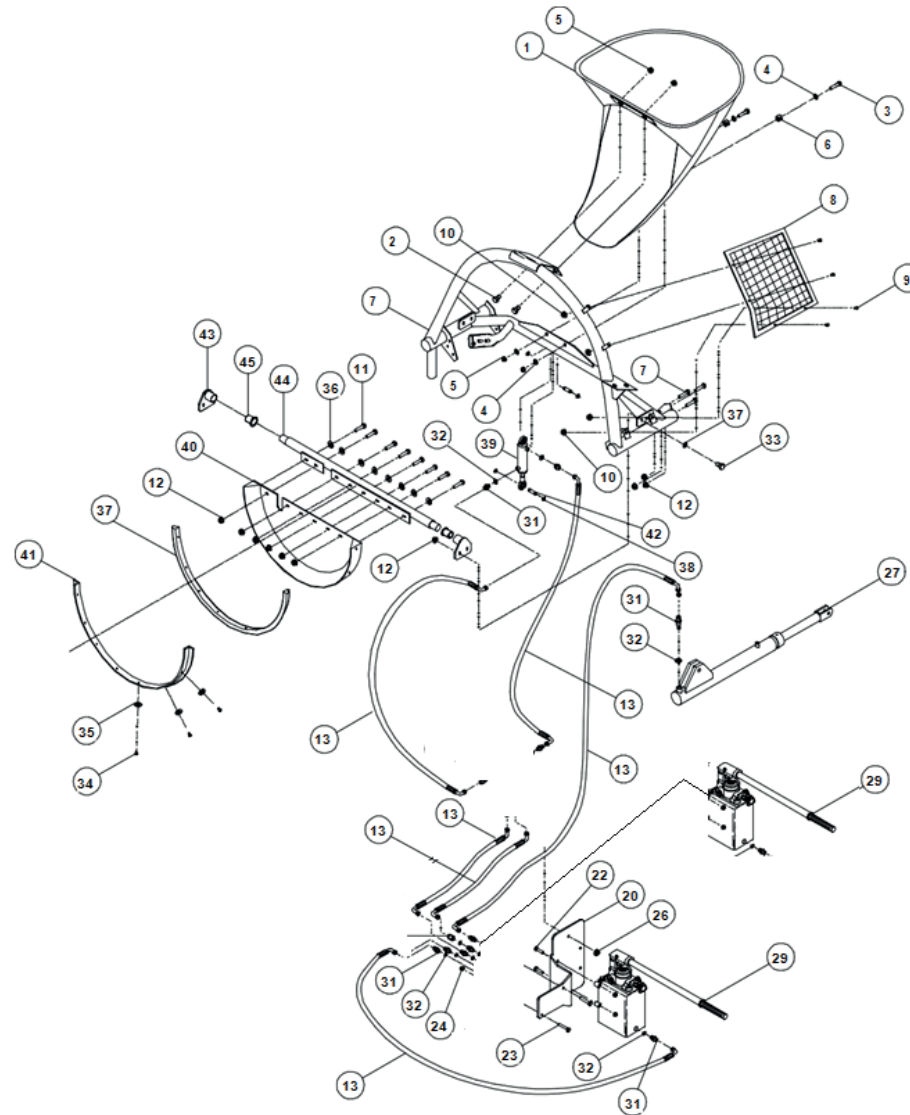
31 - CHUTE LIFTING JACKS



31 - CHUTE LIFTING JACKS

#	Cod.	TR Açıklama	IT Descrizione	GB Description	FR La Description	DE Beschreibung	Note
1	030016020000	YUK BOSALTMA BOLMESI ICIN HIDROLIK KRIKO (PISTON) M3177	CILINDRO OLEOD. ALZACANALA 1 EFF.	HYDRAULIC JACK FOR CHUTE	VERIN HYDRAULIQUE	ZYLINDER	De=65 D. STELO=40 CORSA=390
2	010016020100	HIDROLIK KRIKO TAMIR KITI	KIT GUARNIZIONI MARTINETTO IDRAULICO	ROD	TIGE	KOLBENSTANGE	
4	030016010000	MEKANIK KRIKO	MARTINETTO C/ MANOPOLA E INGRASS.	BEARING	ROULEMENT	LAGER	51103
12	64503005	OLEO NİPEL 3/8" - 3/8" (NİPEL DZN 3/8)	NİPPLO OLEODI	NIPPLE	MAMELON	NİPEL	G6 3/8
13	69000501	PUL 17X 23 X 15 BAKIR 3/8" FOR OLEO CODE45000RR17 62010017	ROSETTA IN RAME	WASHER	RONDELLE	DECKEL	17X23X15
14	011601000000	HIDROLIK EL POMPASI 25CC TEK TESIRLI	POMPA A MANO ALZACANALA	HAND PUMP WITH LEVER	POMPE A MAN	HANDPUMPE MIT HEBEL	PM25S/1
15	011601010000	HIDROLIK EL POMPASI KOLU	LEVA POMPA A MANO	PUMP LEVER	LEVIER POMPE A MAIN	HEBEL FUER HANDPUMPE	
16	011601020100	HİROLİK EL POMPASI CONTA SETİ	KIT GUARNIZIONI POMPA A MANO	SEALS KIT MANUAL PUMP	KIT JOINTS	SATZ DICHTUNGEN	
17	011601030000	EL POMPASI UZERI KIRMIZI ACMA KAPAMA VALFI (YILDIZ) YEDEK PARCA	RUBINETTO RICAMBIO POMPA A MANO	RELIEF VALVE	ROBINET	HAHN	PM25
18	030016020100	DONER OLUK ICIN HIDROLİK HORTUM 3/8" 1SN ISO 1436-1 TIPO OA SAE 100 180 BAR	TUBO ELO. FLESS.	PIPE WITH FITTING	TUYAU AVEC UNION	SCHLAUCHE	R1T 3/8 L=1060

32 - HALF GUARD



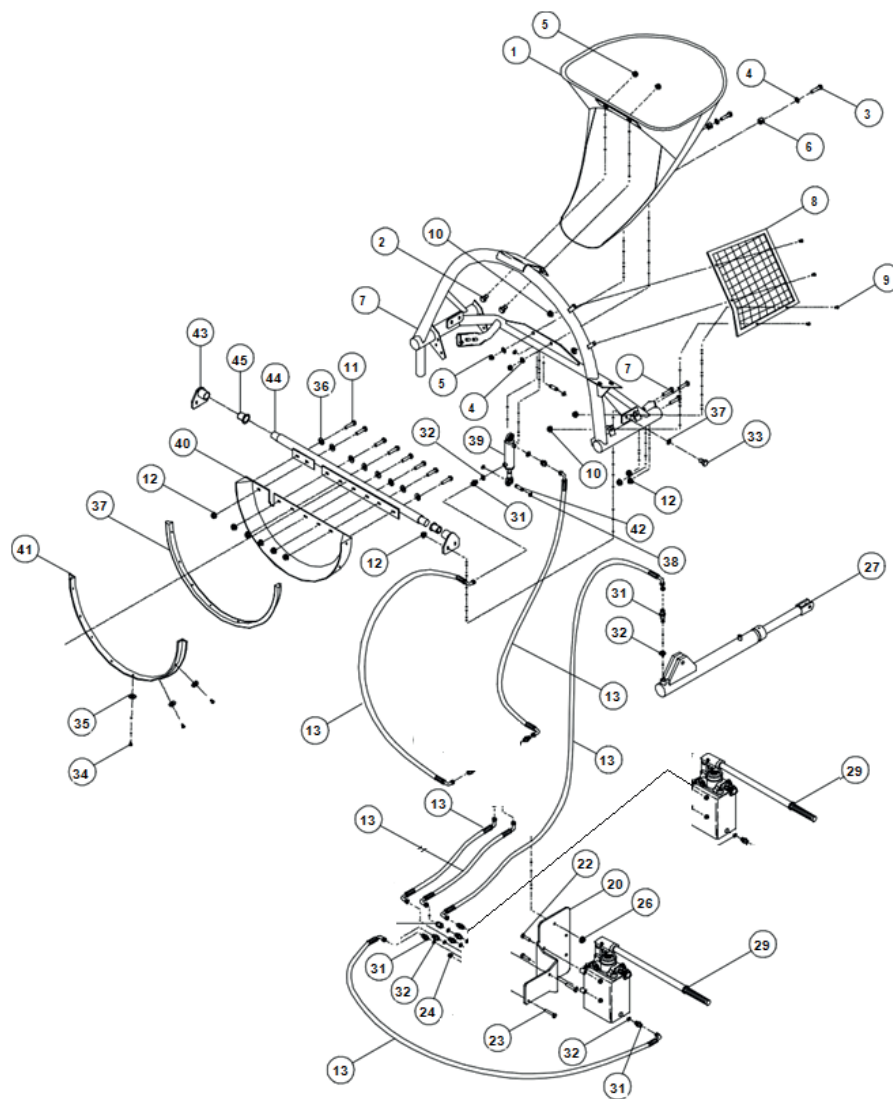
32 - HALF GUARD

#	Cod.	TR Açıklama	IT Descrizione	GB Description	FR La Description	DE Beschreibung	Note
1	030609020000	DOLDURMA OLUGU LT 60 ASINMA SACLII	TRAMOGGIA DI CARICO CON USURA LT60	FEED HOPPER WITH WEAR PLATES	TREMIE DE CHARGE AVEC USURE	BELADUNGSTRICHTER MIT ABN.	LT37.....LT87 - SERIAL NUMBER
1	030909070000	DOLDURMA OLUGU LT 90 (ASINMA SACLII)	TRAMOGGIA DI CARICO CON USURA LT90	FEED HOPPER WITH WEAR PLATES	TREMIE DE CHARGE AVEC USURE	BELADUNGSTRICHTER MIT ABN.	LT97.....LT14.7 - SERIAL NUMBER
2	95006000	CIVATA M16 X 50 (DBL) 8.8 KALITE UNI 5739-65 TE TF FEZN8C1A	VITE	SCREW	VIS	SCHRAUBE	M 16X50 UNI 5739 ZN
3	95006000	CIVATA M16 X 50 (DBL) 8.8 KALITE UNI 5739-65 TE TF FEZN8C1A	VITE	SCREW	VIS	SCHRAUBE	M 16X50 UNI 5739 ZN
4	68701301	PUL 17X 30 X 3 (DBL) UNI 6592-69 R40 FEZN8CIA	ROSETTA	WASHER	RONDELLE	DECKEL	17X30 SP 3 ZN
5	010131160000	SOMUN M16 X 2 KILITLI DIS 8.8 KALITE DIN 980	DADO	NUT	ÉCROU	MUTTER	ATB DIN 980 M 16 ZN
6	010120162800	YAY IGNESI D.16 X 28 X 14 (YARIKLI PIM)	SPINA ELASTICA	ELASTIC PIN	AXE	SCHWENKBOLZEN	16X28X14
7	0301716003	DOLDURMA OLUGU ICIN SUSPANSIYON	SOSPENSIONE	SUSPENSION BAR	ARC DE SUSPENSION	AUFHAENGUNGSBOGEN	
8	0201716010	MERDIVEN UST MUHAFAZASI ILAVE PLAKALI	TELAIO CON RETE DI PROT.	FRAME WITH PROT. MESH	CHASSIS AVEC GRILLE DE PROT.	RAHMEN MIT SCHATZNETZ	
9	95001701	CIVATA M8 X 25 (DBL) 8.8 KALITE UNI 5739-65 TE TF FEZN8C1A	VITE	SCREW	VIS	SCHRAUBE	TE TF M8 X 25 UNI 5739-65
10	010119080000	SOMUN M8 FLANSLI (DBL) DIN 6923 ZN	DADO FLANGIATO	FLANGED NUT	ECROU FLASQUE'	FLANSCHMUTTER	DIN 6923 M 8 ZN
11	95004001	CIVATA M12 X 35 (DBL) 8.8 KALITE UNI 5739-65 TE TF FEZN8C1A	VITE	SCREW	VIS	SCHRAUBE	M12 X 35 UNI 5739-65
12	010119120000	SOMUN M12 FLANSLI (DBL) DIN 6923 ZN	DADO FLANGIATO	FLANGED NUT	ECROU FLASQUE'	FLANSCHMUTTER	DIN 6923 M 12 ZN
13	030016020100	DONER OLUK ICIN HIDROLIK HORTUM 3/8" 1SN ISO 1436-1 TIPO OA SAE 100 180 BAR	TUBO	PIPE	TUYAU	ROHR	3/8" L=1050

32 - HALF GUARD

#	Cod.	TR Açıklama	IT Descrizione	GB Description	FR La Description	DE Beschreibung	Note
13	032800131865	HIDROLİK HORTUM B3/8" R1 AT/3/8"-3/8" BASLIKLIL=225mm	TUBO	PIPE	TUYAU	ROHR	3/8" L=225
20	0201514002	TEK TESIRLI POMPA DESTEK PLAKASI KATKI TANKI YANI ICIN OZEL	STAFFA SUPPORTO POMPA A MANO	BRACKET	SUPPORT	HALTERUNG	HPT 25
22	95202150	CIVATA M10 X 40 (DBL) 8.8 KALITE UNI 5737TE FP	VITE	SCREW	VIS	SCHRAUBE	M 10X40 UNI 5739 ZN
23	95003901	CIVATA M12 X 30 (DBL) 8.8 KALITE UNI 5739-65 TE TF FEZN8C1A	VITE	SCREW	VIS	SCHRAUBE	M 12X30 UNI 5739 ZN
24	18602021	SOMUN M12 DUSUK HEXAGONAL UNI 5588-65 6S FEZN8CIA	DADO	NUT	ÉCROU	MUTTER	ATB DIN 980 M 12
26	0502-0003	SOMUN M10 KILITLI 8.8 KALITE	DADO FLANGIATO	FLANGED NUT	ECROU FLASQUE'	FLANSCHMUTTER	DIN 6923 M 10 ZN
27	030016020000	YUK BOSALTMA BOLMESI ICIN HIDROLİK KRIKO (PISTON) M3177	CILINDRO OLEOD. ALZACANALA 1 EFF.	HYDRAULIC JACK FOR CHUTE	VERIN HYDRAULIQUE	ZYLINDER	De=65 D. STELO=40 CORSA=390
29	011601000000	HIDROLİK EL POMPASI 25CC TEK TESIRLI	POMPA A MANO	PUMP FOR HYDRAULIC CHUTE	POMPE A MAIN AVEC LEVIER	HANDPUMPE MIT HEBEL	HPT25 SERB 1 LT
31	64503005	OLEO NİPEL 3/8" - 3/8" (NİPEL DZN 3/8)	NIPPLES	NIPPLE	MAMELON	NIPPEL	3/8"
32	69000501	PUL 17 X 23 X 1.5 BAKIR 3/8" FOR OLEO CODE45000RR17 62010017	ROSETTA IN RAME	WASHER	RONDELLE	DECKEL	17X23X1.5
33	95004001	CIVATA M12 X 35 (DBL) 8.8 KALITE UNI 5739-65 TE TF FEZN8C1A	VITE	SCREW	VIS	SCHRAUBE	M 12X35 UNI 5739 ZN
34	95202150	CIVATA M10 X 40 (DBL) 8.8 KALITE UNI 5737TE FP	VITE	SCREW	VIS	SCHRAUBE	M 10X40 UNI 5739
35	69300791	PUL 10,5 YARIKLI UNI 1751 C72 FEZN8CIA	ROSETTA BISELLATA	WASHER	RONDELLE	DECKEL	10,5 UNI 1751

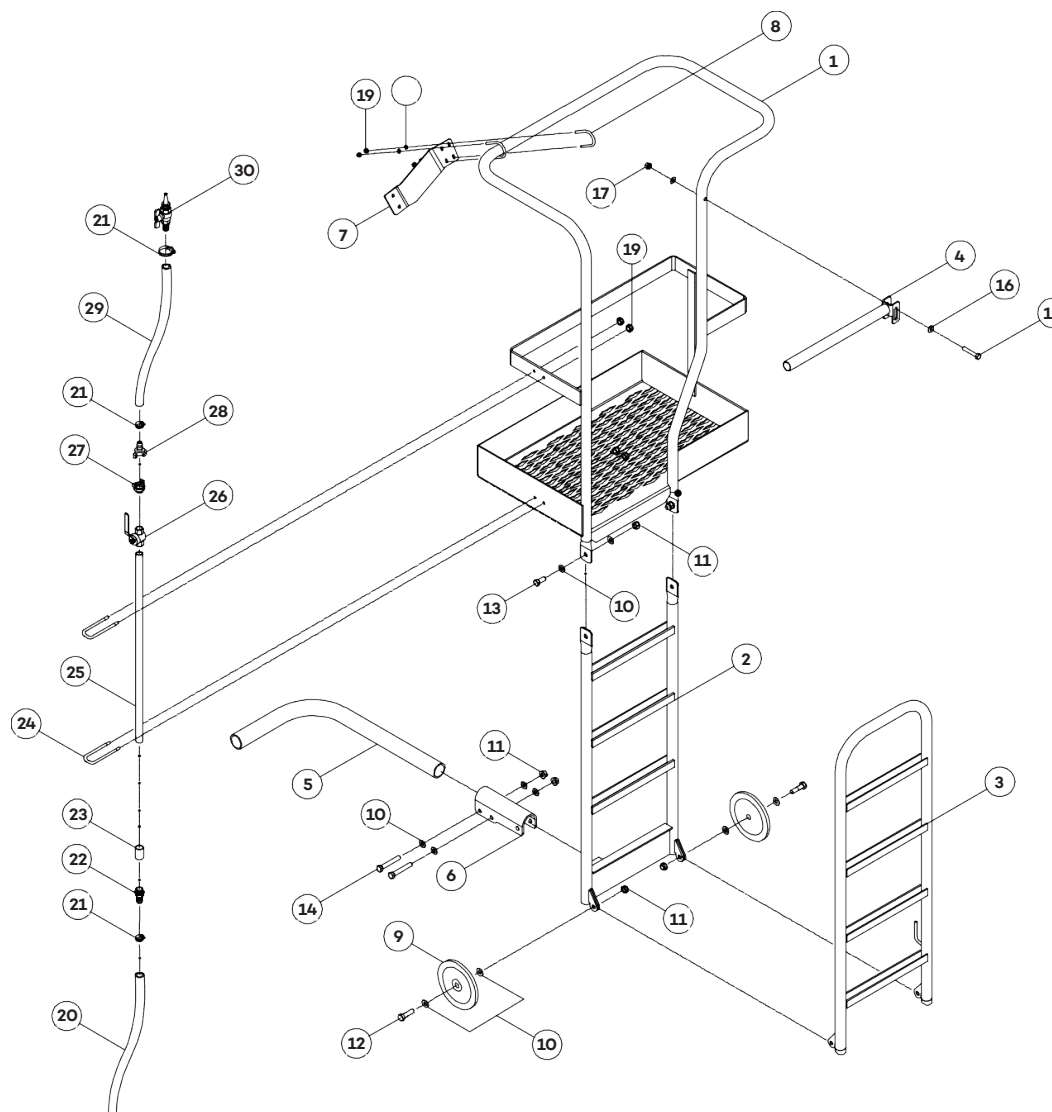
32 - HALF GUARD



32 - HALF GUARD

#	Cod.	TR Açıklama	IT Descrizione	GB Description	FR La Description	DE Beschreibung	Note
36	68750600	PUL 13 X 24 X 3 DUZ UNI 5714-75 FEZN8CIA	ROSETTA PIANA	WASHER	RONDELLE	DECKEL	13 X 24 X 3 UNI 5714-75
37	020008010600	EKOLOJIK KAPAK ICIN P CONTA L=1855	GUARNIZIONE	GASKET	JOINT	DICHTUNG	
38	01400400	SEGMAN MIL ICIN 20 UNI 7435-75	ANELLO SEEGER PER ALBERI	SEEGER RING	BAGUE SEEGER	SEEGERRING	20 UNI 7435-75
39	1700-0001	EKOLOJIK KAPAK PISTONU	CILINDRO	CYLINDER	CILINDRE	ZYLINDER	Øi=40-Øe=50
40	030008010000	EKOLOJIK YARIM KAPAK	CORPO MEZZO TAPPO	HALF GUARD BODY	CORPS DEMI BOUCHON	HALBKLAPPE HAUPTTEIL	
41	030008010110	EKOLOJIK KAPAK DELIKLI CEMBER KOSEBENTİ	CORPO PREMI- GUARNIZIONE	GASKET PRESSING	PRESSE GUARNITION	DICHTUNGDRUECKER	
42	95007200	CIVATA M20 X 70 (DBL) 8.8 KALITE UNI 5739-65 TE TF FEZN8C1A	VITE CILINDRO	CYLINDER BOLT	AXE CILINDRE	ZYLINDER SCHWENKBOLZEN	D=20 L=42
43	030008030000	YARIM EKOLOJIK KAPAK BURC DESTEGI	SUPPORTO BOCCOLA	BUSHING SUPPORT	SUPPORT BAGUE D'USURE	BUCHSEHALTER	DE=48,3 DI=40 L=40
44	030008020000	EKOLOJIK KAPAK MILI L=1274- ORU TIPI	PERNO MEZZO TAPPO PER BOTTE	PIN	AXE	SCHWENKBOLZEN	L=1274
45	020008030300	EKOLOJIK KAPAK BORUSU FIBER YATAGI DI=34 D=40	BOCCOLA	BUSHING	BAGUE D'USURE	BUCHSE	L=44 Øi=34

33 - LADDER



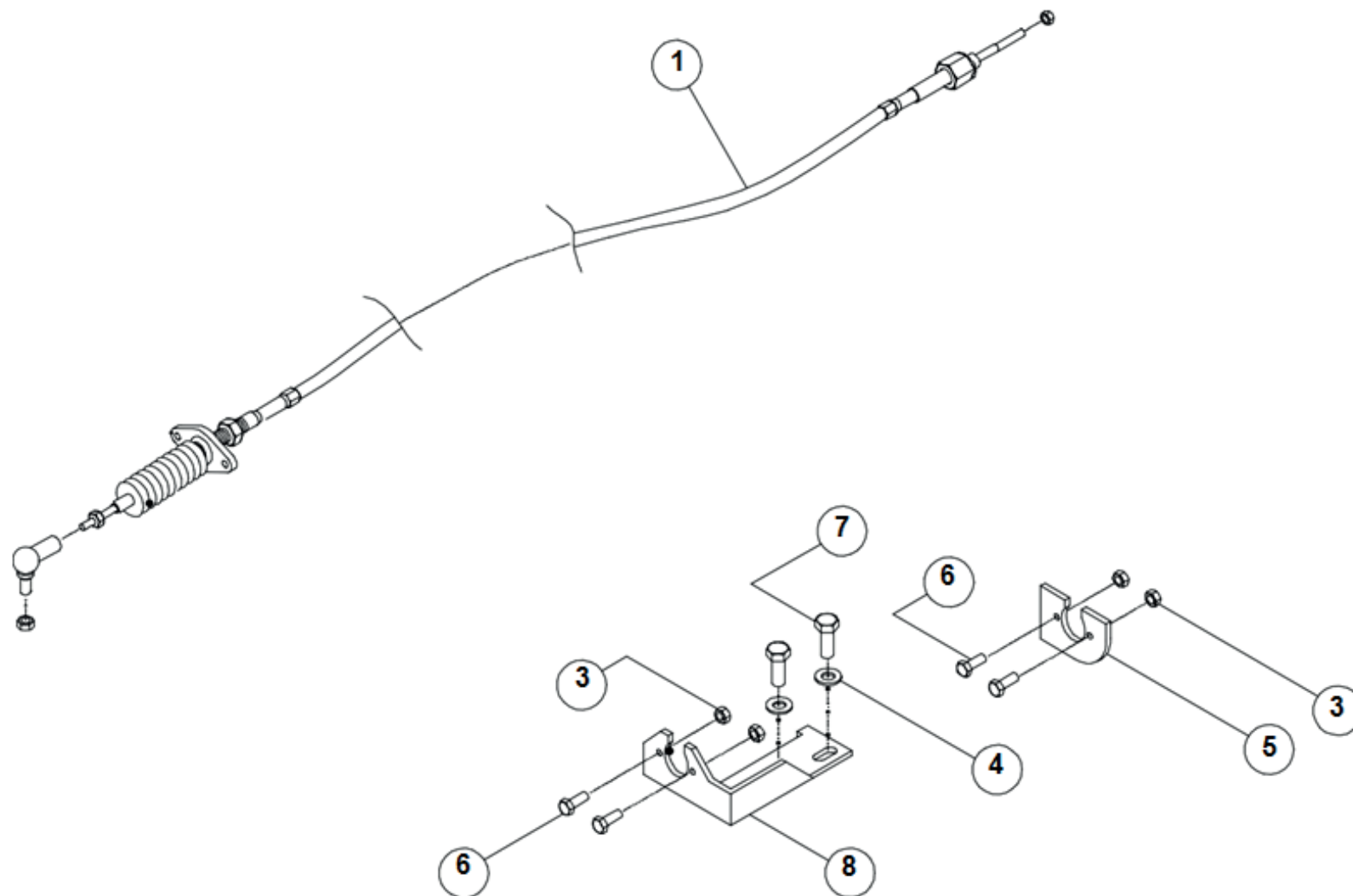
33 - LADDER

#	Cod.	TR Açıklama	IT Descrizione	GB Description	FR La Description	DE Beschreibung	Note
1	0300719020	MERDIVEN UST KISIM SOL Z BAGLANTILI (STANDART)	SCALETТА UNIFICATA TIPO IS	RUNG LADDER	EHELLE	LEITERCHEN	UST KISIM
2	030700190800	MERDIVEN ORTA KISIM	ELEMENTO SUPERIORE	UPPER ELEMENT	ELEMENT SUPERIEUR	OBERE ELEMENT	
3	030012000400	MERDIVEN ALT KISIM TRANSMIKSER ICIN	TERMINALE SCALETТА LUNGO STANDARD	LADDER ELEMENT	TERMINAL EHELLE	LEITER TERMINAL	
4	030700191100	MERDIVEN GUVENLIK BORUSU	TUBO SICUREZZA ANTICADUTA	SAFETY PIPE	TUYAU DE SURETE'	SICHERHEITSRÖHR	
5	020700191800	MERDIVEN BAGLANTI BUKUMLU BORUSU D. 48	TUBO ATTACCO SCALETТА AL CASTELLO	FITTING PIPE	TUYAU FIXATION	VERBINDUNGSRÖHR	
6	020700191400	MERDIVEN BORU BAGLANTI KELEPCESI	STAMPATO IN LAMIERA	FITTING ELEMENT	ELEMENT FIXATION	VERBINDUNGSELEMENT	
7	0200719012	MERDIVEN Z BAGLANTI PARCASI - SUSPANSIYON ICIN -	ATTACCO SCALETТА	FITTING	FIXATION	VERBINDUNG	
8	010105010200	U CIVATA M8 X 1 ZN	CAVALLOTTO	U-BOLT	ÉTRIER	ROHRBRIDE	M8 Zn
9	011108000000	MERDIVEN KORUYUCU PLASTIK TEKERI	DISCO PLASTICA PER SCALETТА	PLASTIC DISC	DISQUE EN PLASTIQUE	PLASTIKSCHEIBE	
10	68750600	PUL 13 X 24 X 3 DUZ UNI 5714-75 FEZN8CIA	ROSETTA	WASHER	RONDELLE	DECKEL	13 X 24 X 3
11	010131120000	SOMUN M12 KILITLI 8.8 KALITE DIN 980	DADO	NUT	ECROU	MUTTER	ATB DIN 980 M12
12	95004275	CIVATA M12 X 50 TAM PASO 8.8 KALITE UNI 5739-65 TE TF FEZN8C1A	VITE	SCREW	VIS	SCHRAUBE	M12 X 50 UNI 5739-65
13	95003901	CIVATA M12 X 30 (DBL) 8.8 KALITE UNI 5739-65 TE TF FEZN8C1A	VITE	SCREW	VIS	SCHRAUBE	M12 X 30 UNI 5739-65
14	95004580	CIVATA M12 X 80 (DBL) 8.8 KALITE UNI 5739-65 TE TF	VITE	SCREW	VIS	SCHRAUBE	M12 X 80 UNI 5739-65
15	95202400	CIVATA M10 X 60 UNI 8.8 KALITE 5737 TE FP FEZN8C1A	VITE	SCREW	VIS	SCHRAUBE	M10 X 60 UNI 5737

33 - LADDER

#	Cod.	TR Açıklama	IT Descrizione	GB Description	FR La Description	DE Beschreibung	Note
16	69300791	PUL 10,5 YARIKLI UNI 1751 C72 FEZN8CIA	ROSETTA BISELLATA	WASHER	RONDELLE	DECKEL	10,5
17	0502-0003	SOMUN M10 KILITLI 8.8 KALITE	DADO	NUT	ECROU	MUTTER	ATB M10 DIN 980 CLASSE 8
19	010119080000	SOMUN M8 FLANSLI (DBL) DIN 6923 ZN	DADO FLANGIATO	FLANGED NUT	ECROU FLASQUE'	FLANSCHMUTTER	DIN 6923 M 8 ZN
20	010213000000	SU HORTUMU 19 X 28	TUBO GOMMA	RUBBER HOSE	TUYAU EN CAOUTCHOUC	GUMMISCHLAUCH	Ø 19X28 L=2000
21	010702000000	KELEPCE 22-30	FASCETTA	CLAMP	COLLIER	SCHELLE	20-30
22	010303510000	HORTUM BAGLANTI ELEMANI 3/4" X 20	RACCORDO PORTAGOMMA	HOSE FITTING	SUPPORT TUYAU	GUMMIHALTER	3/4X20
23	010303220000	3/4" MASON UNI 5192 M2	MANICOTTO	COUPLING	MANCHON	MUFFE	3/4"
24	0401-0035	U CIVATA M6 X 3/4" L=45 (L=700 SU BORUSU)	CAVALLOTTO	U-BOLT	ÉTRIER	ROHRBRIDE	3/4" M6 ZN
25	021022001800	BORU S.S. 26,9 X 3,2 X 700	TUBO	PIPE	TUYAU	ROHR	Ø27X3 L=700
26	010301020300	TOP VALF FF 3/4"	VALVOLA A SFERA	BALL VALVE	SOUPAPE	KUGELVENTIL	3/4"
27	010303940000	HIZLI BAGLAYICI 3/4"	ATTACCO BAIONETTA	FITTING	RACCORD	ANSCHLUSSSTUECK	3/4
28	010303610000	HIZLI HORTUM BAGLANTI ELEMANI 3/4" - YIKAMA HORTUMU ICIN -	ATTACCO BAIONETTA	HOSE FITTING	SUPPORT TUYAU	GUMMIHALTER	Ø19
29	024210060710	SU HORTUMU 19X28 L=2000 (L300 - YIKAMAYA)	TUBO GOMMA	RUBBER HOSE	TUYAU EN CAOUTCHOUC	GUMMISCHLAUCH	Ø 19X28 L=2000
30	010303280400	HORTUM MUSLUGU 1/2" - YIKAMA HORTUMU ICIN -	RUBINETTO	TAP	ROBINET	HAHN	1/2

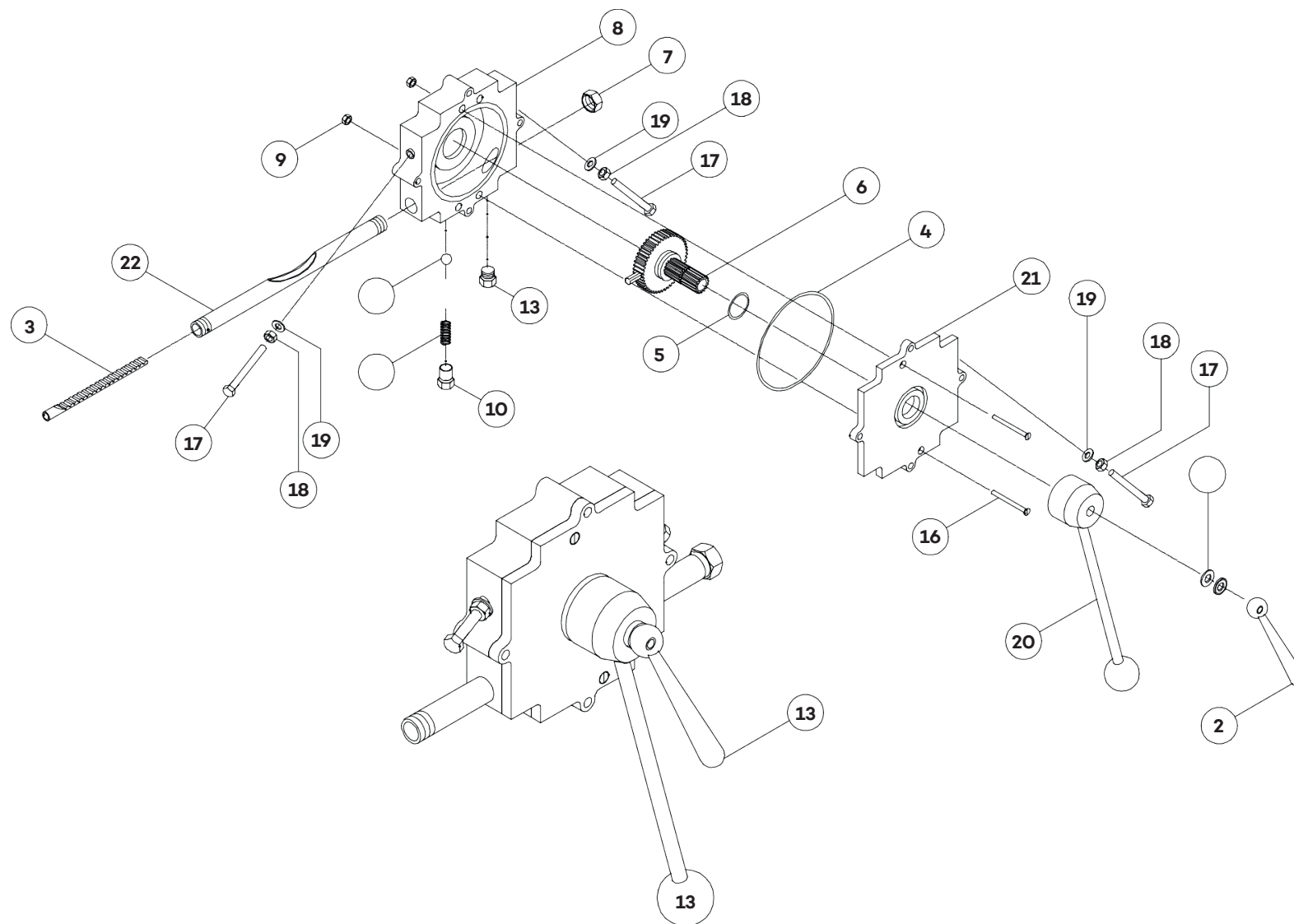
34 - CONTROL CABLES



34 - CONTROL CABLES

#	Cod.	TR Açıklama	IT Descrizione	GB Description	FR La Description	DE Beschreibung	Note
1	012509010000	GAZ KUMANDA SPIRALI L=5000	CAVO	CABLE	CABLE	KABEL	CPL L= 5000 9231B220-070-302
1	012509020000	GAZ KUMANDA SPIRALI L=5500	CAVO	CABLE	CABLE	KABEL	CPL L= 5500 9231B220-070-201
1	012509030000	GAZ KUMANDA SPIRALI L=6000	CAVO	CABLE	CABLE	KABEL	CPL L= 6000 9231B220-070-303
1	012509040000	GAZ KUMANDA SPIRALI L=6500	CAVO	CABLE	CABLE	KABEL	CPL L= 6500 9231B220-070-304
1	012509050000	GAZ KUMANDA SPIRALI L=4500	CAVO	CABLE	CABLE	KABEL	CPL L= 4500 9231B220-070-304
1	012509060000	GAZ KUMANDA SPIRALI L=8000	CAVO	CABLE	CABLE	KABEL	CPL L= 8000 9231B220-070-308
1	012509070000	GAZ KUMANDA SPIRALI L=7000	CAVO	CABLE	CABLE	KABEL	CPL L= 7000
3	010119060000	SOMUN M6 YAKA DIN 6923 ZN	DADO FLANGIATO	FLANGED NUT	ECROU FLASQUE'	FLANSCHMUTTER	DIN 6923 M 6 ZN
4	010121780000	PUL M8 UNI 1734 ZN UNI 6592	ROSETTA	WASHER	RONDELLE	DECKEL	M8
5	0202723069	TEK KONTROL ICIN DESTEK L=6000 PMP ICIN CIFTLI	STAFFA DI TESTA	HEAD CLAMP	SUPPORT	HALTERUNG	
6	95001351	CIVATA M6 X 50 8.8 KALITE UNI 5739-65 F	VITE	SCREW	VIS	SCHRAUBE	TE TF M6 X 50 UNI 5739-65
7	95001501	CIVATA M8 X 16 8.8 KALITE UNI 5739-65 TE TF FEZN8C1A	VITE	SCREW	VIS	SCHRAUBE	8X16
8	0202723069	TEK KONTROL ICIN DESTEK L=6000 PMP ICIN CIFTLI	STAFFA PER POMPA COMANDO	CLAMP FOR CONTROL CABLE	SUPPORT	HALTERUNG	FOR CAB SONTROL PMP
8	0202723066	TEK KONTROL ICIN DESTEK PMP POMPA YENI	STAFFA PER POMPA COMANDO STANDART	CLAMP FOR CONTROL CABLE	SUPPORT	HALTERUNG	FOR STANDART MIXERS

35 - SINGLE LEVER CONTROL



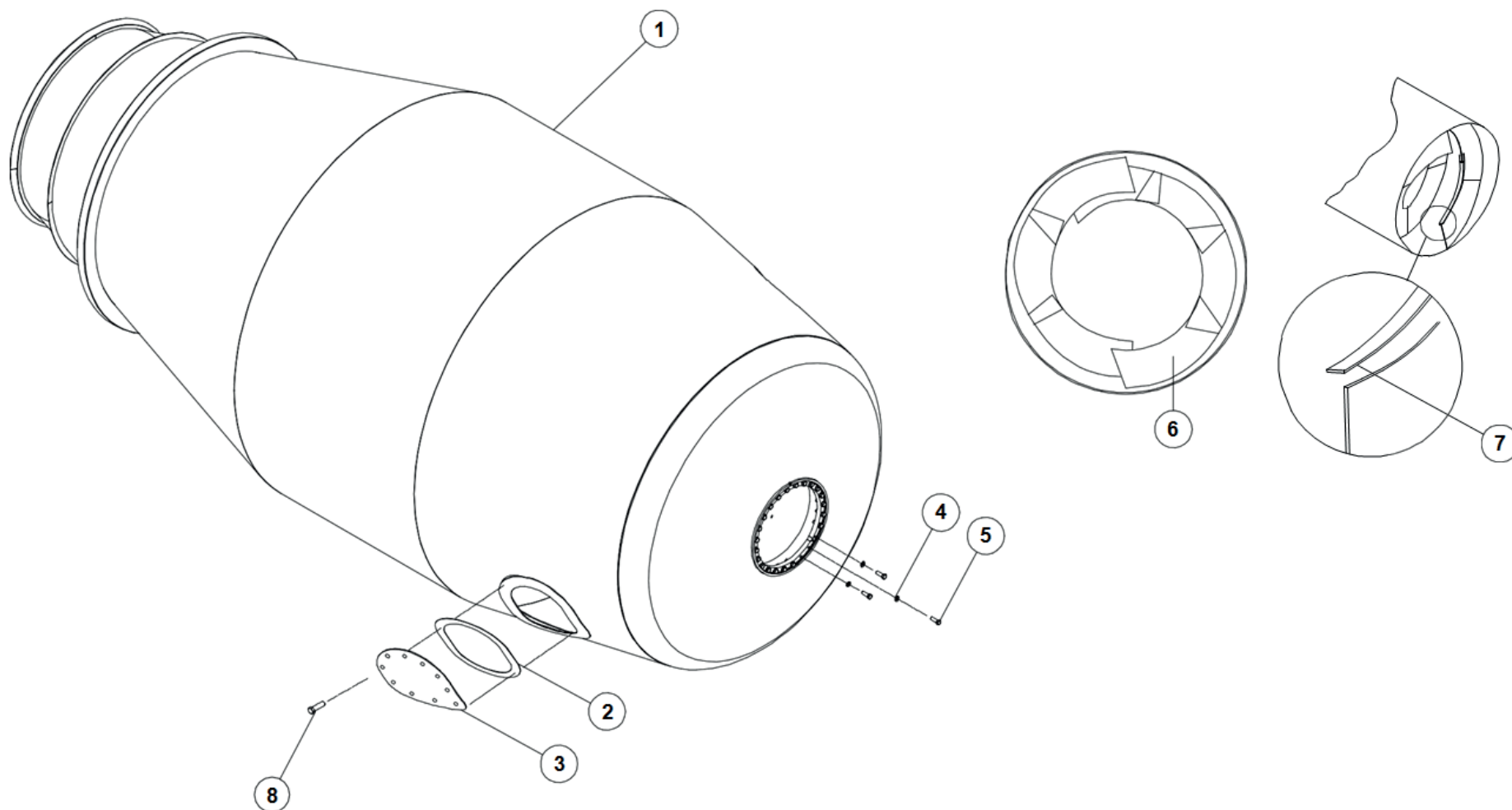
35- SINGLE LEVER CONTROL

		TR	IT	GB	FR	DE	
#	Cod.	Açıklama	Descrizione	Description	La Description	Beschreibung	Note
1	012508210000	TEKLI GAZ KUMANDA KOLU KUTUSU	SCATOLA COMANDO 1 LEVA	SINGLE LEVER CONTROL BOX	TABLEAU DE COMMANDE 1 LEVIER	GEHAEUSE 1 HEBELN	9231 B 1-2-24-141
2	012508030000	KUMANDA KUTUSU SABITLEME KOLU KISA	LEVA BLOCCAGGIO	BLOCKING LEVER	LEVIER BLOCAGE	BLOCKIERUNGSHABEL	9231-810-100-01
3	012508040000	KUMANDA KUTUSU KRAMAYER DISLISI 9231B801-070-02	CREMAGLIERA POMPA	RACK	CREMAILLERE	ZAHNSTANGE	9231B801-070-02
4	012508080000	KUMANDA KUTUSU O-RINGI 110X2,0 GOBEK DISLISI ILE KAPAK ARASI	SCATOLA MEFLEX O-RING	O-RING	O-RING	O-RING	110X2,0 828-111-020
5	012508090000	KUMANDA KUTUSU O-RINGI 26X2,0 GOBEK DISLISI ICIN	O-RING	O-RING	O-RING	O-RING	26X2,0 828-102-620
6	012508060000	KUMANDA KUTUSU GOBEK DISLISI	INGRANAGGIO CON ALBERINO CAVO	GEAR	ENGRENAGE	GETRIEBE	9232-705-072-02
7	012508130000	KUMANDA KUTUSU CIVATA TAPASI	TAPPO FILETTATO	SCREW CAP	BOUCHON FILETÉ	VERSCHLUSS	9231-802-000-02
8	012508120000	KUMANDA KUTUSU BOS GOVDESI	COPERCHIO INFERIORE	LOWER COVER	COUVERCLE	DECKEL	9231-701-000-20
9	010116050000	SOMUN M5 UNI 5588 KUMANDA KUTUSU GOVDESI ICIN	DADO	NUT	ÉCROU	MUTTER	UNI 5588 M 5

35- SINGLE LEVER CONTROL

#	Cod.	TR Açıklama	IT Descrizione	GB Description	FR La Description	DE Beschreibung	Note
10	012508170000	KUMANDA KUTUSU CIVATA TAPASI ALT KISIM SOL	VITE CAVA	SCREW	VIS	SCHRAUBE	9231-803-000-02
13	012508200000	KUMANDA KUTUSU CIVATA TAPASI ALT KISIM SAG	VITE DI CHIUSURA	SCREW	VIS	SCHRAUBE	9231-805-000-01
16	010117053400	CIVATA M5 X 30 (DBL) UNI 5739 ZN TE TF	VITE	SCREW	VIS	SCHRAUBE	M5X30
17	010101081200	CIVATA M8 X 60 (DBL) UNI 5739 ZN TE TF	VITE	SCREW	VIS	SCHRAUBE	M 8X60 UNI 5739 ZN
18	010116060100	SOMUN M8 UNI 5588 KUMANDA KUTUSU GOVDESİ İCİN	DADO	NUT	ÉCROU	MUTTER	UNI 5588 M 8
19	010121780000	PUL M8 UNI 1734 ZN UNI 6592	ROSETTA	WASHER	RONDELLE	DECKEL	M 8 UNI 1734 ZN
20	012508010000	LT KUMANDA KUTUSU UZUN SABİTLEME KOLU (KİLİTLİ)	LEVA POMPA	LEVER	LEVIER	HEBEL	9231-707-180-06
21	012508100000	KUMANDA KUTUSU GOVDESİ KAPAGI	COPERCHIO SUPERIORE	UPPER COVER	COUVERCLE	DECKEL	
22	012508110000	KUMANDA KUTUSU İC MİLİ-BORUSU ORTASI OYUK	TUBO GUIDA	PIPE	TUYAU	ROHR	9231-809-070-05

36 - DRUM



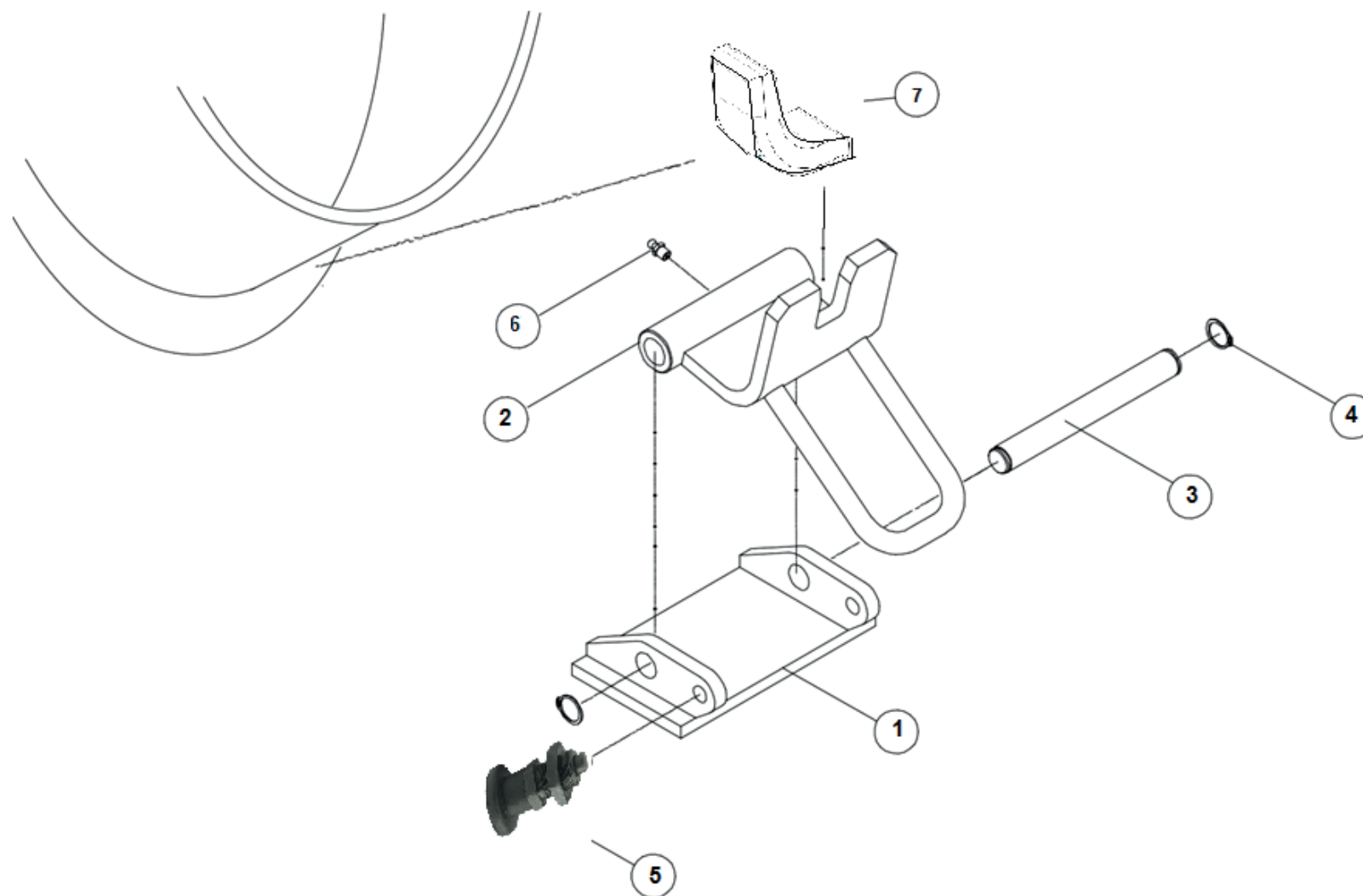
36 - DRUM

#	Cod.	TR Açıklama	IT Descrizione	GB Description	FR La Description	DE Beschreibung	Note
1	0300219002	KAZAN KAYNAK LT 4.7DX L=150 SP4 TEK KAPAK	TAMBURO	DRUM	CUVE	TROMMEL	LT4.7H - SERIAL NUMBER
1	0300208002	KAZAN KAYNAK LT 7.7H L=1250 SP4 TEK KAPAK	TAMBURO	DRUM	CUVE	TROMMEL	LT7.7H - SERIAL NUMBER
1	0300212001	KAZAN KAYNAK LT 8.7 DX SP4 L=1490 D=2200 TEK KAPAK	TAMBURO	DRUM	CUVE	TROMMEL	LT8.7H - SERIAL NUMBER
1	0300212016	KAZAN KAYNAK LT 8.7XL L=1061 SP4 2 KAPAK	TAMBURO	DRUM	CUVE	TROMMEL	LT8XL.7H - SERIAL NUMBER
1	0300212024	KAZAN KAYNAK LT 8XL.7SL DX D 2350 L=589 SP3 2 KAPAK ORTA SEVIYELI	TAMBURO	DRUM	CUVE	TROMMEL	LT8XL.7SL - SERIAL NUMBER
1	0300203006	KAZAN KAYNAK LT 9.7 DX L=1325 SP4 2 KAPAK (URETILEMIYOR)	TAMBURO	DRUM	CUVE	TROMMEL	LT9.7H - SERIAL NUMBER
1	0300203011	KAZAN KAYNAK LT 9.7SL L=853 SP3 2 KAPAK	TAMBURO	DRUM	CUVE	TROMMEL	LT9.7SL - SERIAL NUMBER
1	0300222009	KAZAN KAYNAK LT 10.7DX L=1672 SP4 2 KAPAK (URETILEMIYOR)	TAMBURO	DRUM	CUVE	TROMMEL	LT10.7H - SERIAL NUMBER
1	0300222017	KAZAN KAYNAK LT 10.7SL L=1200 SP3 2 ADAM KAPAK	TAMBURO	DRUM	CUVE	TROMMEL	LT10.7SL - SERIAL NUMBER
1	0300222025	KAZAN KAYNAK LT 10.7 LONDON L=1200 2 KAPAK D2350 SP4	TAMBURO	DRUM	CUVE	TROMMEL	LT10.7LONDON - SERIAL NUMBER
1	0300206032	KAZAN KAYNAK LT 12.7L=1700 2 KAPAK	TAMBURO	DRUM	CUVE	TROMMEL	LT12.7H - SERIAL NUMBER
1	0300206013	KAZAN KAYNAK LT 12.7HSL L=1490 SP3 2 KAPAK	TAMBURO	DRUM	CUVE	TROMMEL	LT12.7SL - SERIAL NUMBER

36 - DRUM

#	Cod.	TR Açıklama	IT Descrizione	GB Description	FR La Description	DE Beschreibung	Note
1	0300206027	KAZAN KAYNAK LT 12.7 XL L=1500 SP4 2 KAPAK	TAMBURO	DRUM	CUVE	TROMMEL	LT12X.7 - SERIAL NUMBER
1	0300206040	KAZAN KAYNAK LT 12.7 XL L=1500 SP3 2 KAPAK	TAMBURO	DRUM	CUVE	TROMMEL	LT12X.7 SL - SERIAL NUMBER
1	0300218007	KAZAN KAYNAK LT 14.7 SL L=1500 SP3 2 KAPAK YUKSEK BICAKLI	TAMBURO	DRUM	CUVE	TROMMEL	LT14.7 SL - SERIAL NUMBER
1	0300218002	KAZAN KAYNAK LT 14.7 H L=1800 SP4 2 KAPAK	TAMBURO	DRUM	CUVE	TROMMEL	LT14.7H - SERIAL NUMBER
2	010200053300	ADAM KAPAGI CONTASI 8 MM KAUCUK PROFIL	GUARNIZIONE PER OBLO'	INSPECTION HOLE GASKET	GUARNITION	DICHTUNG	
3	020200053100	ADAM KAPAGI OVERLAPPING MANHOLE	OBLO'	INSPECTION HOLE	HUBLLOT	BULLLAUGE	
4	68751000	PUL 17 X 30 X 4 (DBL) DUZ UNI 5714 -75	ROSETTA PIANA	WASHER	RONDELLE	DECKEL	17 X 30 X 4 UNI 5714-75 ZN
5	010101161010	CIVATA M16 X 50 (DBL) 109 KALITE UNI 5739 TP	VITE	SCREW	VIS	SCHRAUBE	M16 X 50 UNI 5739 (97-14 M3)
5	95005950	CIVATA M16 X 45 109 KALITE UNI 5739-65 FEZN8C1A	VITE	SCREW	VIS	SCHRAUBE	M16 X 45 UNI 5739 (3.7-8.7 M3)
6	0300401129	BICAK SETI ORNEK KOD	SET SPIRALI	SET OF MIXER BLADES	JEU SPIRALES	SPIRALSATZ	SERIAL NUMBER
7	000200081402	PLAKA 35 X 6 UNI EU58 30MNB5	PIATTO SPIRALE	SPIRAL PLATE	PLATEAU SPIRAL	SPIRALPLAT	35 X 6
8	010101121500	CIVATA M12 X 35 (DBL) 109 KALITE UNI 5739 ZN TE TF	VITE TESTA BOMBATA	SCREW	VIS	SCHRAUBE	M12 X 35 UNI 5739

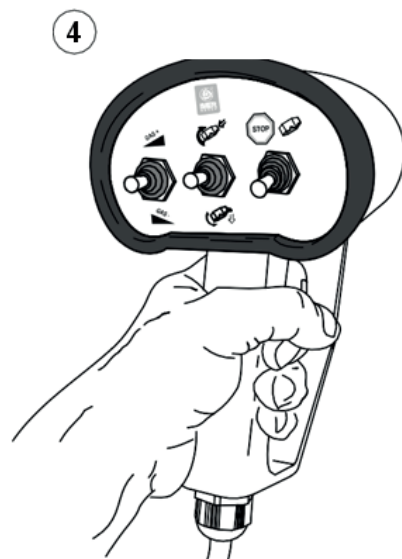
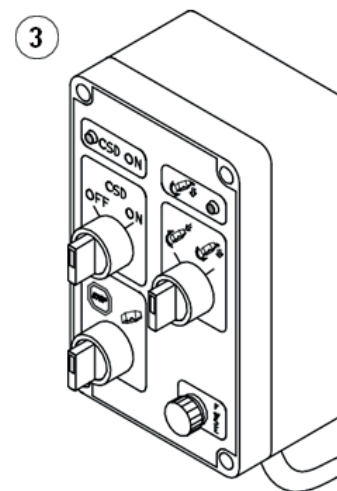
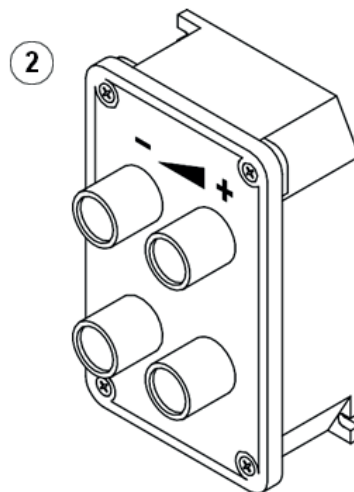
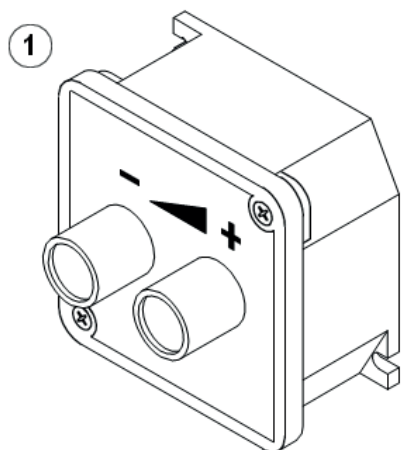
37 - SAFETY LOCK



37 - SAFETY LOCK

#	Cod.	TR Açıklama	IT Descrizione	GB Description	FR La Description	DE Beschreibung	Note
1	0304602064	GUVENLIK KILIDI DESTEĞI ARKA DESTEK UZERINDE KEYLIFE ICIN	SUPP.DISPOS.DI BLOCC.BOTTE	SUPPORT	SUPPORT	HALTER	
2	0304602068	ARKA DESTEK UZERINDE TUTMA KOLU KEYLIFE ICIN	FORCELLA DISPOSITIVO BLOCC. BOTTE	FORK	FOURCHE	HEFTKLAMMER	
3	0204602039	GUVENLIK KILIDI PINI D25 L=200 KEYLIFE ICIN	PERNO X BLOCCAGGIO BOTTE	PIN	AXE	SCHWENKBOLZEN	D. 25 X 200
4	01400500	SEGMAN 25 UNI 7435-75	ANELLO SEEGER PER ALBERI	SEEGER RING	BAGUE SEEGER	SEEGERRING	25 UNI 7435-75
5	34006162	ELESA GN 617-6-A KEYLIFE ICIN	SPINA BLOCCAGGIO BOTTE	FEEDING BOLT	AXE D'ENTREINEMENT	ANTRIEBSBOLZEN	GN 617-6-A
6	011113000000	GRESORLUK M8 X 1 X 5 UNI 7663	INGRASSATORE	GREASER	GRAISSEUR	SCHMIERNIPPEL	M8X1X5 UNI 7663
7	0204602016	GUVENLIK KILIDI ICIN KILITLEME PLAKASI 15 X 50	PIATTO DI BLOCCAGGIO	LOCKING PLATE	PLATEAU DE BLOCAGE	BLOCKIERUNGSPLAT	50X15

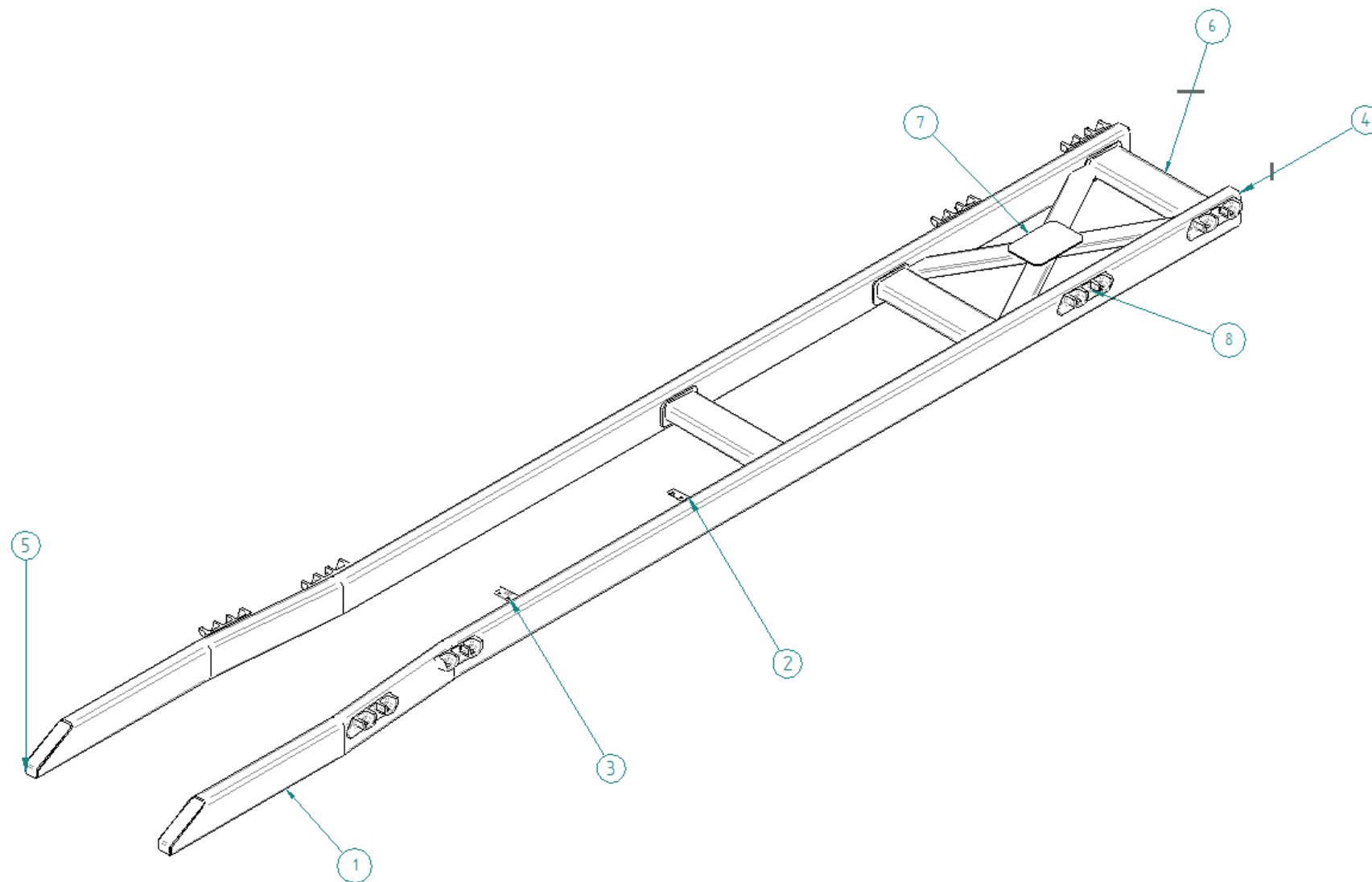
38- BUTTON PANEL



38- BUTTON PANEL

#	Cod.	TR Açıklama	IT Descrizione	GB Description	FR La Description	DE Beschreibung	Note
1	042707044010	2 DUGMELI GAZ KUMANDA PANELI (EDC) (PSM)	SCATOLA EDC 2 PULSANTI	EDC 2 BUTTONS CONTROL BOX	TABLEAU COMMANDE EDC 2 BOUTON	2-KNOPF EDC SCHALTAFEL	QPI-10013 Q.U.E.S.
2	012700231600-3	4 DUGMELI GAZ KUMANDA+YON KUMANDA PANELI (EDC) (PSM) (15M+15M 3 X 1 TTR)	SCATOLA EDC 4 PULSANTI	EDC 4 BUTTONS CONTROL BOX	TABLEAU COMMANDE EDC 4 BOUTON	4-KNOPF EDC SCHALTAFEL	
3	012700231325	CSD SISTEM ANA ELEKTRIK PANOSU QPI-.....	PULSANTIERA CABINA CSD	VEHICLE CAB CONTROL PANEL	TABLEAU DE COMMANDE CABINE	FAHRERHAUS SCHALTAFEL	CSD EATON QPI-10009
4	012700231900	3 SEVIYELI PANEL CSD QPI-12098 E ARKA KUMANDA	PULSANTIERA 3 LEVETTE NASTRI BRAC. CSD	3 LEVER CONTROL PANEL	TABLEAU DE COMMANDE 3 LEVIER	3-HEBEL SCHALTAFEL	CSD QPI-12098

39 – SUBFRAME



39 – SUBFRAME

#	Cod.	TR Açıklama	IT Descrizione	GB Description	FR La Description	DE Beschreibung	Note
1	LTS127XK	MIKSER SASISI GRUBU LT 127 KUTU PROFIL UZUN	TELAIO LT12XL7	MIXER SUBFRAME	MIXER CHASSIS	MISCHER-CHASSIS	MAN-FORD-IVECO-VOLVO-RENAULT
1	LTS127MK	MIKSER SASISI GRUBU LT 127 KUTU PROFIL MERCEDES EURO6 L=7250 MM	TELAIO LT12XL7	MIXER SUBFRAME	MIXER CHASSIS	MISCHER-CHASSIS	MERCEDES-BENZ 4142
1	LTS127HK	MIKSER SASISI GRUBU LT 127 KUTU PROFIL	TELAIO LT127H	MIXER SUBFRAME	MIXER CHASSIS	MISCHER-CHASSIS	MERCEDES-BENZ 4140
1	LTS107MK	MIKSER SASISI GRUBU LT 97 - 107 KUTU PROFIL CAPRAZ KIRISLI MERCEDES	TELAIO LT107H	MIXER SUBFRAME	MIXER CHASSIS	MISCHER-CHASSIS	MERCEDES-BENZ 3332- 3342- 4140
1	LTS107HK	MIKSER SASISI GRUBU LT 97 - 107 KUTU PROFIL	TELAIO LT107H	MIXER SUBFRAME	MIXER CHASSIS	MISCHER-CHASSIS	MAN-FORD-IVECO-VOLVO-RENAULT
1	LTS107MK-1	MIKSER SASISI GRUBU 107H KUTU PROFIL MERCEDES UZUN PROFILLI CAPRAZ KIRISLI	TELAIO LT107H	MIXER SUBFRAME	MIXER CHASSIS	MISCHER-CHASSIS	MERCEDES-BENZ 4142
1	LTS107HK-1	MIKSER SASISI GRUBU 160 X 80 X 8 LT 97SL - KUTU PROFIL SL MIKSERLER	TELAIO LT107H	MIXER SUBFRAME	MIXER CHASSIS	MISCHER-CHASSIS	MAN-FORD-IVECO-VOLVO-RENAULT-MERCEDES LT97SL
1	LTS087HK-1	MIKSER SASISI GRUBU 160 X 80 X 8 LT 8.7 KUTU PROFIL	TELAIO LT087H	MIXER SUBFRAME	MIXER CHASSIS	MISCHER-CHASSIS	MAN-FORD-IVECO-VOLVO-RENAULT-MERCEDES LT8.7 & LT8XL
2	0200908034	2 SLOT 9X18LI 40 X 5 X 90 PLAKA	PIATTO LAMINATO	PLATE WITH HOLE	PLAQUE PERFOREE	LOCHPLATTE	
3	0200908035	2 SLOT 18X9LU 40X20X4 L=263 DIRSEK	ANGOLARE 40X20X4 L=362 CON 2 ASOLE	PLATE WITH HOLE	PLAQUE PERFOREE	LOCHPLATTE	
4	0200908047	KUTU PROFIL KAPAGI 180X80X8 SASI ARKASI	PASTERIORE COPERTURA	REAR COVER FOR PROFILE	COUVERCLE ARRIERE	HINTERE ABDECKUNG	
5	0200908048	KUTU PROFIL SASI ON KAPATMA PLAKASI	ANTERIORE COPERTURA	FRONT COVER FOR PROFILE	COUVERTURE AVANT	FRONTABDECKUNG	
6	0200917016	TRAVERS 160 X 80 X 6 TUM BOYLAR KUTU PROFIL	TRAVERSA IN TUBO	TRAVERS	TRAVERSE	TRAVERSE	
7	030900183301	CAPRAZ TRAVERS GRUBU KUTU PROFIL ICIN 610*1280	RINFORZO INF.TRAVERSA IN TUB	CROSS TRAVERS	CROSS TRAVERSE	GEKREUTZ TRAVERSE	
8	030002010400	MIKSER SASISI U BAGLANTI SIKISTIRMASI DOVME KULAK	FORGIATO BRIDA LAVORATA LT 90	BRIDA	OREILLE DE CASTING	CASTING EAR	



IMER-L&T İŐ MAKİNALARI A.Ő.

Factory

Erenler O.S.B. Mah. 13.Sk. No:23
TaŐpınar-Merkez/Aksaray

☎ +90 382 266 23 00

☎ +90 382 266 23 40

Office

Beytepe Mah. Kanuni Sultan Sleyman Blv.
Officium İŐ Merkezi No:46 ankaya/Ankara

☎ +90 312 492 17 50

☎ +90 312 492 17 55

www.imer-lt.com.tr